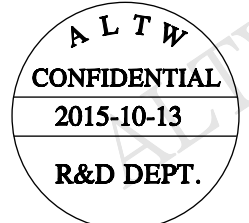
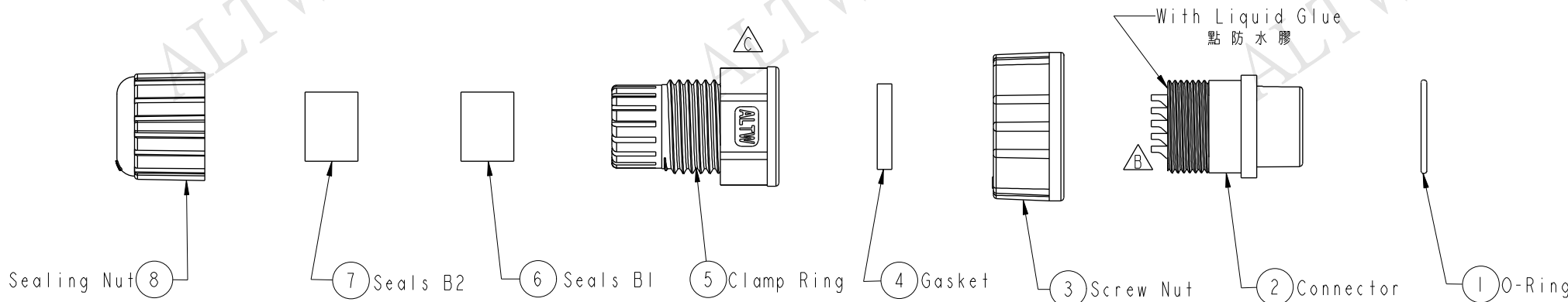
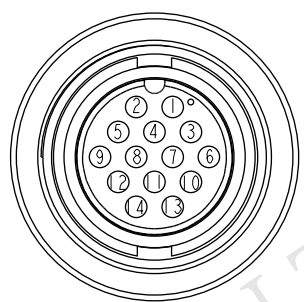


THIS DOCUMENT IS SUBJECT TO CHANGE WITHOUT NOTICE. IT IS CONFIDENTIAL AND A PROPERTY OF Amphenol LTW. DISCLOSURE TO THIRD PARTY HAS TO BE AUTHORIZED BY Amphenol LTW.

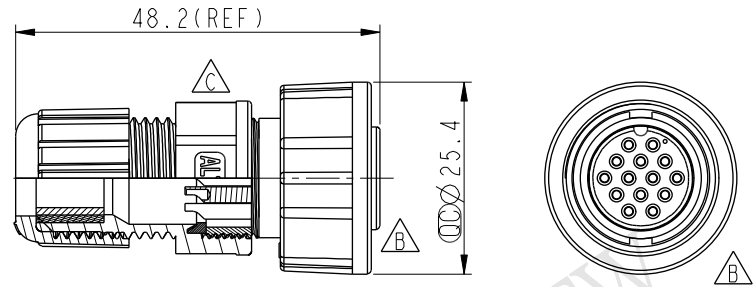
REV.	ECN NO.	DATE	SIGN	DESCRIPTION
B	LEN-0C0145	2010/11/25	IVNA	Change 前導角 View
C	LEN15A0225	2015/10/13	Jason.Yu	Update Logo



- Note:
- * \varnothing Important Dimensions.
 - * Connector: Nylon+GF, Black
 - * Female Pin: Copper Alloy, Gold Plated.
 - * O-Ring: EPDM, Black.
 - * Screw Nut: Nylon+GF, Black
 - * Gasket: Silicone, Black
 - * Sealing Nut: Nylon, Black
 - * Clamp Ring: Nylon, Black.
 - * Seals: EPDM, Black
 - * Liquid Glue: Clear
 - * Seal B1 for Cable OD: $\varnothing 7.6\text{mm} \sim \varnothing 9.6\text{mm}$
(防水墊圈B1線徑: $\varnothing 7.6\text{mm} \sim \varnothing 9.6\text{mm}$)
 - * Seal B2 for Cable OD: $\varnothing 4.0\text{mm} \sim \varnothing 7.6\text{mm}$
(防水墊圈B2線徑: $\varnothing 4.0\text{mm} \sim \varnothing 7.6\text{mm}$)
 - * One Set Unassembled in One PE Bag
(每一組未組裝, 放置於一個PE袋, 並封口)



Pin Assignments
Front View 前視圖



Conn.

UNIT: mm		
TOLERANCE	.X	± 0.25
	.XX	± 0.1
	.XXX	± 0.05
ANGLES		$\pm 1^\circ$

TITLE Screw Type Connector For Field Installation 180° 14Pin Female Connector Female Pin(5A)			
SCALE	1:1	SIZE	A4
SHEET	1	OF	1
REV.	C	WC-REV.	A.2
\varnothing : Inspection item			

Amphenol LTW
安費諾亮泰企業股份有限公司

ITEM NO	CD-14BFFA-SL7001	DRAWN BY	Jason.Yu	DATE	2015/10/13
DWG NO	CD-14BFFA-SL7001	CHECKED BY	Doreen	DATE	2015/10/13
CUSTOMER	ALTW	APPROVED BY	Lisa	DATE	2015/10/13

Mouser Electronics

Authorized Distributor

Click to View Pricing, Inventory, Delivery & Lifecycle Information:

[Amphenol:](#)

[CD-14BFFA-SL7001](#)