

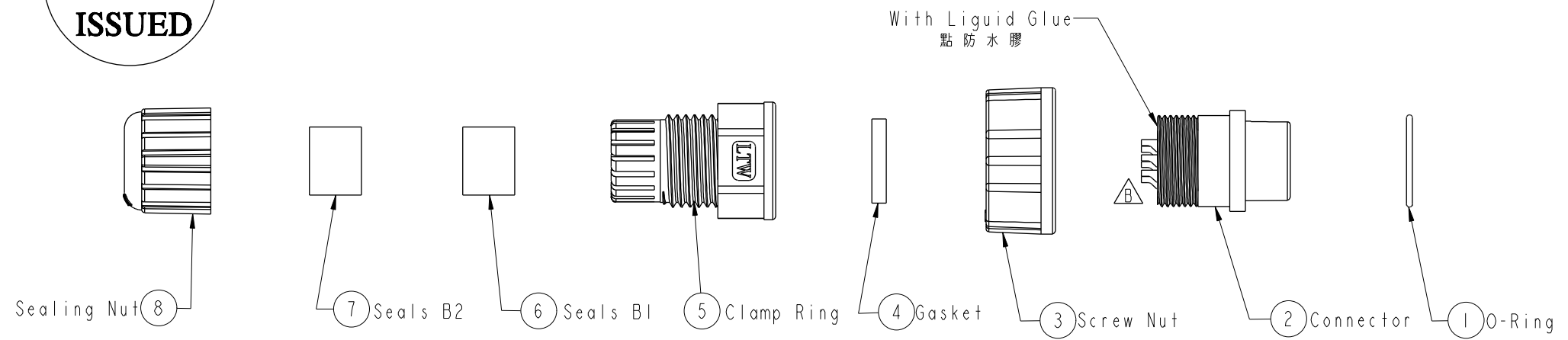
THIS DOCUMENT IS SUBJECT TO CHANGE WITHOUT NOTICE. IT IS CONFIDENTIAL AND A PROPERTY OF AMPHENOL LTW. DISCLOSURE TO THIRD PARTY HAS TO BE AUTHORIZED BY AMPHENOL LTW.

REV.	ECN NO.	DATE	SIGN	DESCRIPTION
B	LEN-0C0117	2010/11/23	IVNA	Change 前導角 View

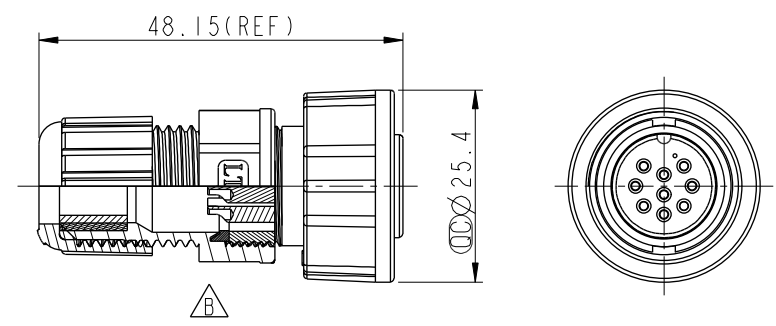
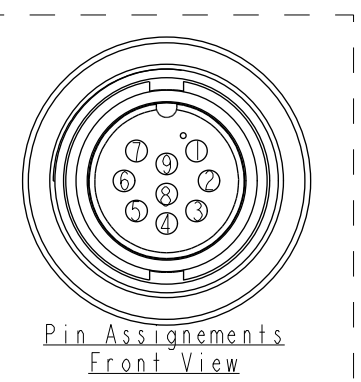
**ALTW**  
 DCC. DEPT.  
 CONFIDENTIAL  
 2012-05-29  


---

**ISSUED**



**ALTW**  
 CONFIDENTIAL  
 2012-04-12  
 R&D DEPT.



- Note:
- \*  $\varnothing$  Important Dimension.
  - \* Waterproof Rate: IP67
  - \* Housing: Nylon+GF, Black.
  - \* Female Pin: Copper Alloy, Gold Plated.
  - \* Screw Nut: Nylon+GF, Black
  - \* O-Ring: EPDM, Black.
  - $\Delta$  \* Gasket: Silicone, Black
  - \* Seals: EPDM, Black
  - \* Clamp Ring: Nylon, Black.
  - \* Sealing Nut: Nylon, Black.
  - \* Liquid Glue: Clear
  - \* Seals B1 for Cable OD:  $\varnothing$ 7.6mm~ $\varnothing$ 9.6mm
  - \* Seals B2 for Cable OD:  $\varnothing$ 4.0mm~ $\varnothing$ 7.6mm
  - \* One Set Unassembled in One PE Bag.

UNIT: mm  TOLERANCE .X ±0.25 .XX ±0.1 .XXX ±0.05 ANGLES ±1°	TITLE Middle Assy Screw 9Pin F Conn F Pin			<h1>Amphenol LTW</h1> <h2>安費諾亮泰企業股份有限公司</h2>		ITEM NO. CD-09BFFA-SL7001	DRAWN BY SamChang	DATE 2012-04-12
	SCALE 1:1	SIZE A4	SHEET 1 OF 1	DWG NO. CD-09BFFA-SL7001	CHECKED BY Jeffrey	DATE 2012-05-29		
	REV. B	WC-REV. A.2	$\varnothing$ : Inspection item	CUSTOMER ALTW	APPROVED BY Lion	DATE 2012-05-29		
				FMM10702-01-02A1				

# Mouser Electronics

Authorized Distributor

Click to View Pricing, Inventory, Delivery & Lifecycle Information:

[Amphenol:](#)

[CD-09BFFA-SL7001](#)