

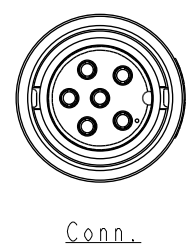
THIS DOCUMENT IS SUBJECT TO CHANGE WITHOUT NOTICE. IT IS CONFIDENTIAL AND A PROPERTY OF AMPHENOL LTW. DISCLOSURE TO THIRD PARTY HAS TO BE AUTHORIZED BY AMPHENOL LTW.

REV.	ECN NO.	DATE	SIGN	DESCRIPTION
B	LEN-9A0240~243	2009/04/14	Li Xiu Zhi	Change SR View & Update Note
C	LEN1480051~055	2014/07/28	Vicky	Update Logo

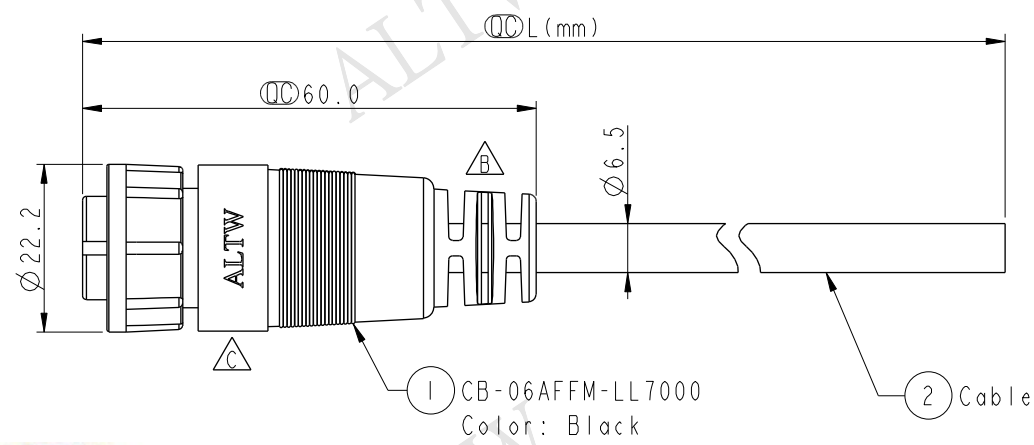
ALTW

ALTW

ALTW

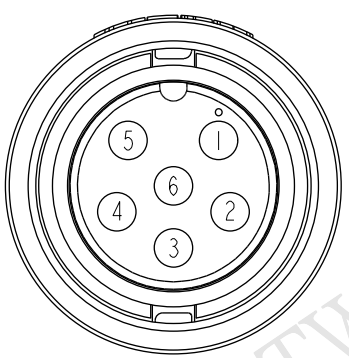
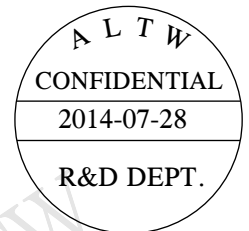


Conn.



1 CB-06AFFM-LL7000
Color: Black

2 Cable



Pin Assignments
Front View

6	Gray	灰
5	Yellow	黃
4	Green	綠
3	White	白
2	Blue	藍
1	Brown	棕
Conn.	Wire Color	

Pin Out

CB-06AFFM-LL7AXX

XX :01~99Meters
01 :01Meter
02 :02Meters
:
:
99 :99Meters

Cable Length(L):01~99Meters

△ Note:

- * \varnothing Important Dimension To Check
- * Waterproof Rate: IP67
- * Housing: Nylon+GF, Black
- * Female Pin: Copper Alloy, Gold Plated
- * Lock Nut: Nylon+GF, Black
- * O-Ring: EPDM, Black
- * Cable: UL2464 20AWG*6C+Drain+Al/My, Black,PVC Jacket,UV Resistant,OD=6.5
- * Cable Length Tolerance:
 - 01M:±40mm
 - 02M~05M:±60mm
 - 06M~10M:±100mm
 - 11M~30M:±200mm
 - 31M~99M:±500mm

UNIT:mm	
TOLERANCE	±0.5 mm

TITLE Middle Cable Lock 6Pin F Conn F Pin			
SCALE 1:1	SIZE A4	SHEET 1 OF 1	
REV. C	WC-REV. A.1	\varnothing : Inspection item	

Amphenol LTW
安費諾亮泰企業股份有限公司

ITEM NO	DRAWN BY Vicky	DATE 2014-07-28
DWG NO CB-06AFFM-LL7AXX	CHECKED BY Sam	DATE 2014-07-28
CUSTOMER ALTW	APPROVED BY Rita	DATE 2014-07-28

Mouser Electronics

Authorized Distributor

Click to View Pricing, Inventory, Delivery & Lifecycle Information:

[Amphenol:](#)

[1CB-06AFFM-LL7A01](#)