

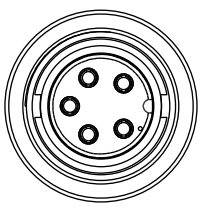
THIS DOCUMENT IS SUBJECT TO CHANGE WITHOUT NOTICE. IT IS CONFIDENTIAL AND A PROPERTY OF AMPHENOL LTW. DISCLOSURE TO THIRD PARTY HAS TO BE AUTHORIZED BY AMPHENOL LTW.

REV.	ECN NO.	DATE	SIGN	DESCRIPTION
B	LEN-9A0225~228	2009/04/14	Li Xiu Zhi	Change SR View & Update Note
C	LEN1480035~038	2014/07/28	Vicky	Update Logo

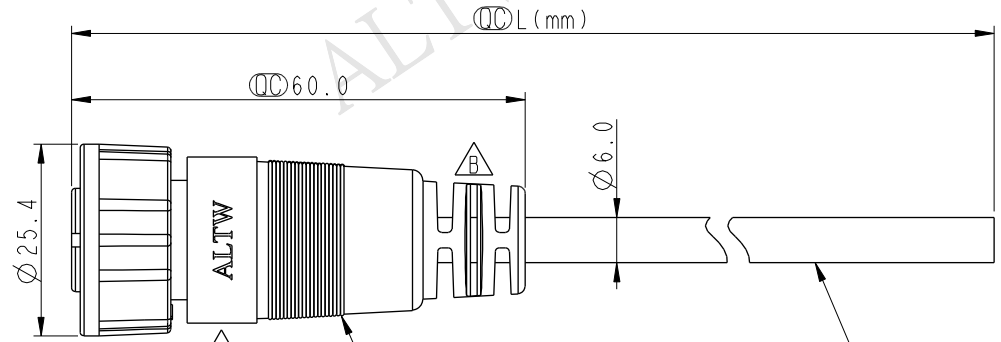
ALTW

ALTW

ALTW

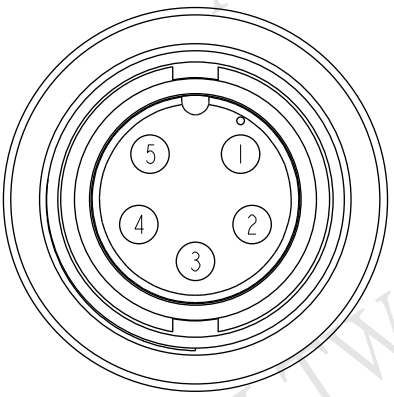
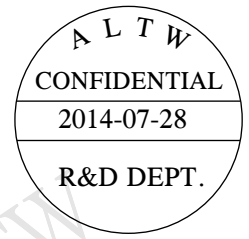


Conn.



1 CB-05AFFM-SL7000  
Color: Black

2 Cable



Pin Assignments  
Front View

5	Green	綠
4	White	白
3	Black	黑
2	Blue	藍
1	Brown	棕
Conn.	Wire Color	
	Pin Out	

CB-05AFFM-SL7AXX

XX :01~99Meters  
01 :01Meter  
02 :02Meters  
:  
:  
99 :99Meters

Cable Length(L):01~99Meters

Note:

- \*  $\varnothing$  Important Dimension To Check
- \* Waterproof Rate: IP67
- \* Housing: Nylon+GF, Black
- \* Female Pin: Copper Alloy, Gold Plated
- \* Screw Nut: Nylon+GF, Black
- \* O-Ring: EPDM, Black
- \* Cable: UL2464 20AWG\*5C+Drain+Al/My, Black,PVC Jacket,UV Resistant,OD=6.0
- \* Cable Length Tolerance:
  - 01M:±40mm
  - 02M~05M:±60mm
  - 06M~10M:±100mm
  - 11M~30M:±200mm
  - 31M~99M:±500mm

UNIT:mm	
TOLERANCE	±0.5 mm

TITLE Middle Cable Screw 5Pin F Conn F Pin			
SCALE 1:1	SIZE A4	SHEET 1 OF 1	
REV. C	WC-REV. A.1	$\varnothing$ : Inspection item	

**Amphenol LTW**  
安費諾亮泰企業股份有限公司

ITEM NO	DRAWN BY Vicky	DATE 2014-07-28
DWG NO CB-05AFFM-SL7AXX	CHECKED BY Sam	DATE 2014-07-28
CUSTOMER ALTW	APPROVED BY Rita	DATE 2014-07-28

# Mouser Electronics

Authorized Distributor

Click to View Pricing, Inventory, Delivery & Lifecycle Information:

[Amphenol:](#)

[1CB-05AFFM-SL7A01](#)