

REV.	ECN NO.	DATE	SIGN	DESCRIPTION
B	LEN-9A0220~223	2009/04/15	Li Xiu Zhi	Change SR View & Update Note
C	LEN1480029~033	2014/07/28	Vicky	Update Logo

ALTW

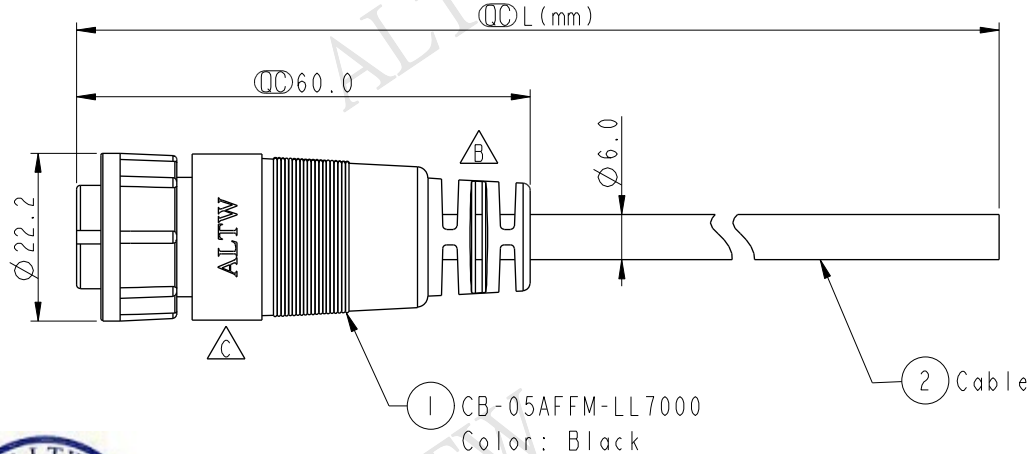
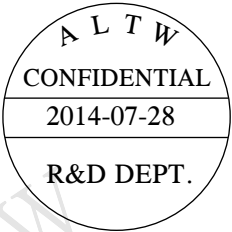
ALTW

ALTW

ALTW

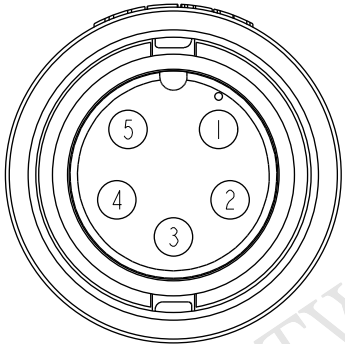
ALTW

ALTW



1 CB-05AFFM-LL7000
Color: Black

2 Cable



Pin Assignments
Front View

5	Green	綠
4	White	白
3	Black	黑
2	Blue	藍
1	Brown	棕
Conn.	Wire Color	
Pin Out		

CB-05AFFM-LL7AXX
 XX :01~99Meters
 01 :01Meter
 02 :02Meters
 ...
 99 :99Meters
 Cable Length(L):01~99Meters

- △ Note:
- * ⌀ Important Dimension To Check
 - * Waterproof Rate: IP67
 - * Housing: Nylon+GF, Black
 - * Female Pin: Copper Alloy, Gold Plated
 - * Lock Nut: Nylon+GF, Black
 - * O-Ring: EPDM, Black
 - * Cable: UL2464 20AWG*5C+Drain+Al/My, Black,PVC Jacket,UV Resistant,OD=6.0
 - * Cable Length Tolerance:
 - 01M:±40mm
 - 02M~05M:±60mm
 - 06M~10M:±100mm
 - 11M~30M:±200mm
 - 31M~99M:±500mm

UNIT:mm		TITLE
TOLERANCE	±0.5 mm	Middle Cable Lock 5Pin F Conn F Pin
SCALE	1:1	SIZE A4
REV.	C	SHEET 1 OF 1
WC-REV.	A.2	QC: Inspection item

Amphenol LTW
安費諾亮泰企業股份有限公司

ITEM NO	DRAWN BY	DATE
DWG NO	CHECKED BY	DATE
CUSTOMER	APPROVED BY	DATE
ALTW	Vicky	2014-07-28
	Sam	2014-07-28
	Rita	2014-07-28

THIS DOCUMENT IS SUBJECT TO CHANGE WITHOUT NOTICE. IT IS CONFIDENTIAL AND A PROPERTY OF AMPHENOL LTW. DISCLOSURE TO THIRD PARTY HAS TO BE AUTHORIZED BY AMPHENOL LTW.

Mouser Electronics

Authorized Distributor

Click to View Pricing, Inventory, Delivery & Lifecycle Information:

[Amphenol:](#)

[1CB-05AFFM-LL7A01](#)