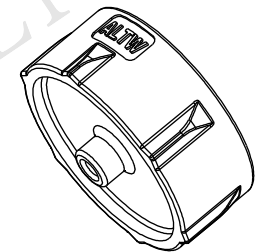
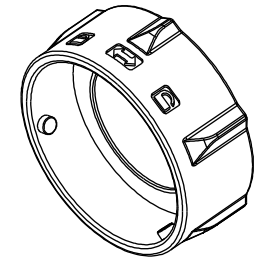
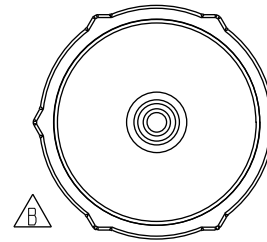
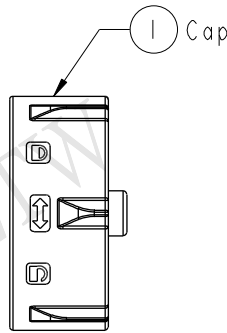
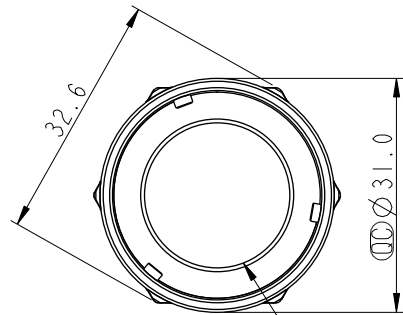
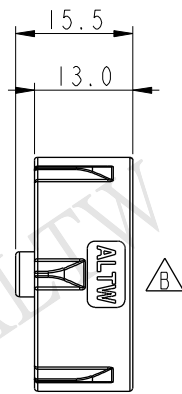


REV.	ECN NO.	DATE	SIGN	DESCRIPTION
A	Initial Release	2014/05/22	Vicky	Old Item No. CAP-WFBPFLAI
B	LEN15A0260	2015/10/08	Vicky	Update Logo and Screw Hole

ALTW  
CONFIDENTIAL  
2015-10-08  
R&D DEPT.



ALTW  
DCC. DEPT.  
CONFIDENTIAL  
2015.10.15  
ISSUED

Note:

- \* Waterproof Rate: IP67
- \* Cap: PPO, UL94V-0, Black
- \* Gasket: Silicone, UL94V-0, Gray

UNIT:mm		
TOLERANCE		
.X	±0.25	
.XX	±0.1	
.XXX	±0.05	
ANGLES	±1°	

TITLE Waterproof Cap, Fiber 3 Point Lock			
SCALE 1:1	SIZE A4	SHEET 1 OF 1	
REV. B	WC-REV. A.1	QC: Inspection item	

**Amphenol LTW**  
安費諾亮泰企業股份有限公司

ITEM NO. CAP-WFBMTMAI	DRAWN BY Vicky	DATE 2015-10-08
DWG NO. CAP-WFBMTMAI	CHECKED BY Rita	DATE 2015-10-08
CUSTOMER ALTW	APPROVED BY Lisa	DATE 2015-10-08

THIS DOCUMENT IS SUBJECT TO CHANGE WITHOUT NOTICE. IT IS CONFIDENTIAL AND A PROPERTY OF AMPHENOL LTW. DISCLOSURE TO THIRD PARTY HAS TO BE AUTHORIZED BY AMPHENOL LTW.

# Mouser Electronics

Authorized Distributor

Click to View Pricing, Inventory, Delivery & Lifecycle Information:

[Amphenol:](#)

[CAP-WFBMTMA1](#)