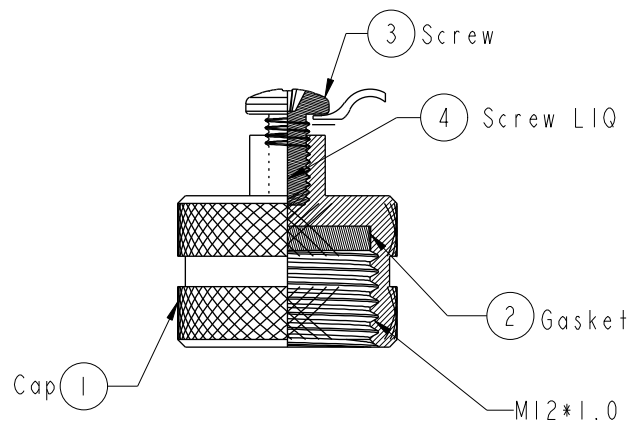
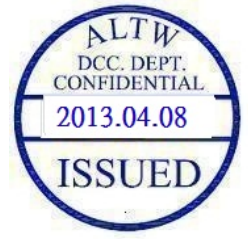
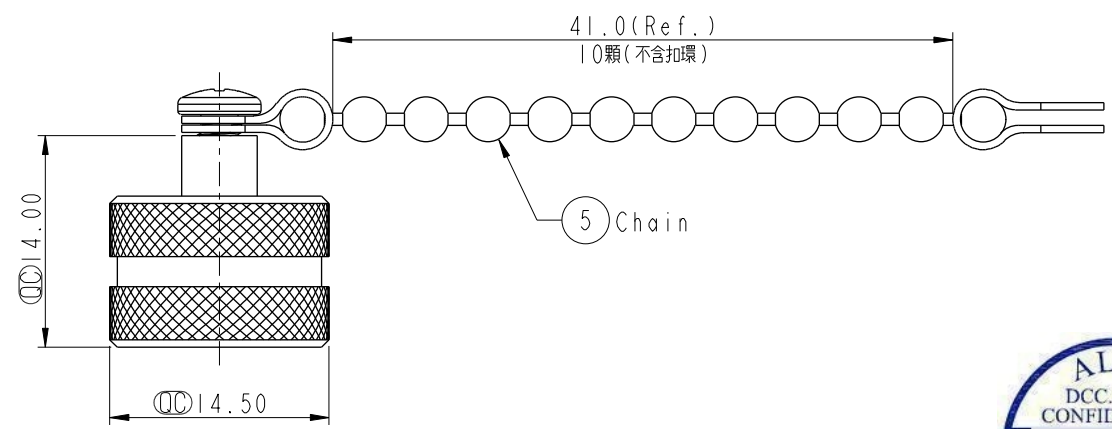
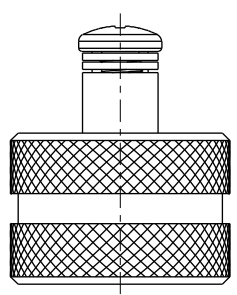


REV.	ECN NO.	DATE	SIGN	DESCRIPTION
A	Initial Release	2013/04/08	Vicky	Old Item No. CAP-WBDPMSBI



- Note:
- * \varnothing Important Dimension.
 - * Waterproof Rate: IP67.
 - * Cap: Brass, Nickel Plated.
 - * Gasket: EPDM, Black.
 - * Screw: M3.0*6L 不銹鋼.
 - * M3 螺絲孔需點 4 螺絲固定劑.
 - * 螺絲鎖合扭力值 3~4 Kgf.cm

UNIT: mm		TITLE Cap (For M12 Male With Chain) M12 Screw For M Conn Chain			<h1>Amphenol LTW</h1> 安費諾亮泰企業股份有限公司	ITEM NO	CAP-WBDMSPB2	DRAWN BY	Vicky	DATE	2013-04-08					
		SCALE	2:1	SIZE		A4	SHEET	1	OF	1	DWG NO	CAP-WBDMSPB2	CHECKED BY	Rita	DATE	2013-04-08
		REV.	A	WC-REV.		A.1	\varnothing : Inspection item		CUSTOMER	ALTW	APPROVED BY	Maslow	DATE	2013-04-08		

THIS DOCUMENT IS SUBJECT TO CHANGE WITHOUT NOTICE. IT IS CONFIDENTIAL AND A PROPERTY OF AMPHENOL LTW. DISCLOSURE TO THIRD PARTY HAS TO BE AUTHORIZED BY AMPHENOL LTW.

Mouser Electronics

Authorized Distributor

Click to View Pricing, Inventory, Delivery & Lifecycle Information:

[Amphenol:](#)

[CAP-WBDMSPB2](#)