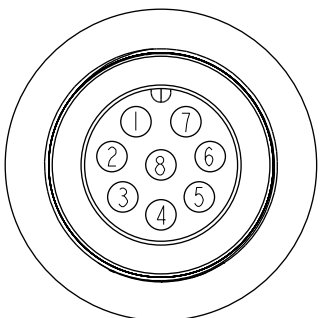
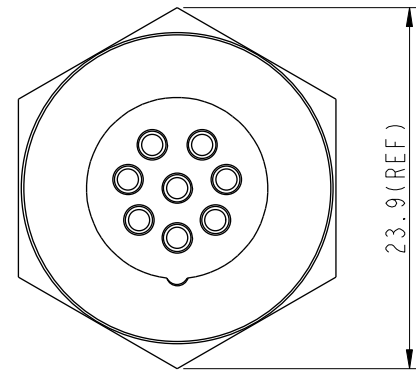
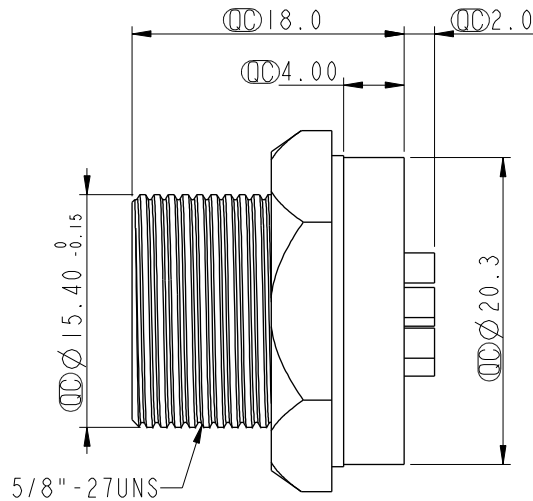
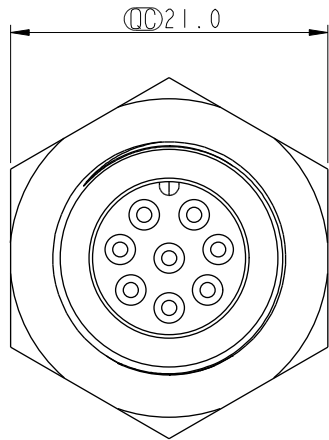
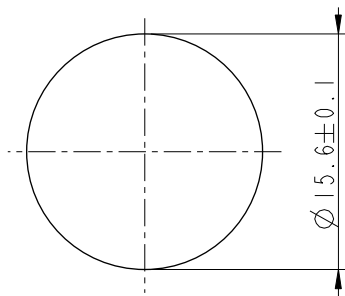


| REV. | ECN NO. | DATE | SIGN | DESCRIPTION |
|------|---------|------------|------|-------------|
| B | C190269 | 2019/03/06 | Ruru | Modify Note |
| | | | | |

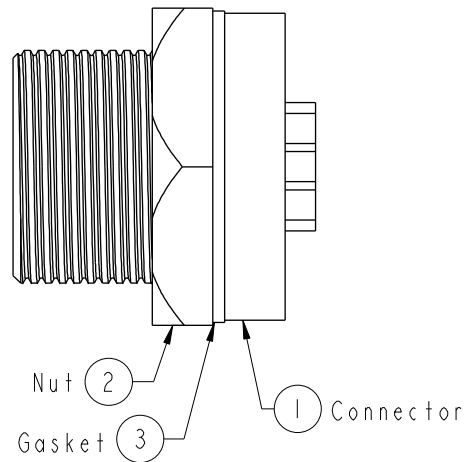
ALTW
CONFIDENTIAL
 2019-03-06
R&D DEPT.



Pin Assignments
Front View



Recommended Panel Cut-out



Note: \triangle

- * \varnothing Important Dimension To Check.
- * Waterproof Rate: IP67, Unmated
- * Housing: Metal, Nickel Plated
- * Pin: Copper Alloy, Gold Plated
- * Nut: Metal, Nickel Plated
- * Gasket: Rubber, Black
- * Maximum Panel Thickness: 4.4mm
- * Gasket and Nut are packed separately in PE bags.

| | | |
|-----------|-------|--|
| UNIT:mm | | |
| TOLERANCE | | |
| .X | ±0.25 | |
| .XX | ±0.1 | |
| .XXX | ±0.05 | |
| ANGLES | ±1° | |

| | | | |
|--|----------------|---------------------------------|--|
| TITLE Standard Panel Screw 8Pin M Conn M Pin | | | |
| SCALE 2:1 | SIZE A4 | SHEET 1 OF 1 | |
| REV. B | WC-REV. A.2 | \varnothing : Inspection item | |

Amphenol LTW
安費諾亮泰企業股份有限公司

| | | |
|-------------------------------|--------------------|--------------------|
| ITEM NO. BSD-08PMMS-SC7001 | DRAWN BY Ruru | DATE 2019-03-06 |
| DWG NO. BSD-08PMMS-SC7001 | CHECKED BY Rita | DATE 2019-03-06 |
| CUSTOMER ALTW | APPROVED BY Max | DATE 2019-03-06 |

THIS DOCUMENT IS SUBJECT TO CHANGE WITHOUT NOTICE. IT IS CONFIDENTIAL AND A PROPERTY OF Amphenol LTW. DISCLOSURE TO THIRD PARTY HAS TO BE AUTHORIZED BY Amphenol LTW.

Mouser Electronics

Authorized Distributor

Click to View Pricing, Inventory, Delivery & Lifecycle Information:

[Amphenol:](#)

[BSD-08PMMS-SC7001](#)