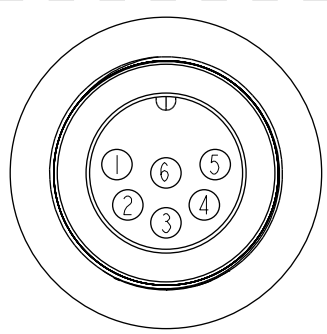
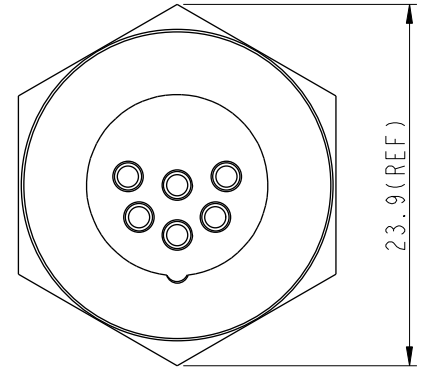
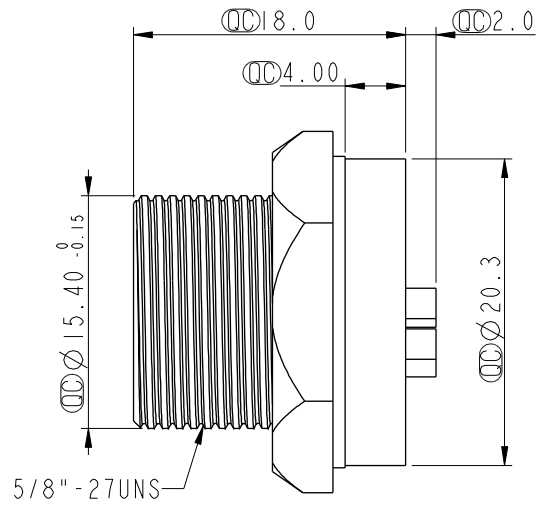
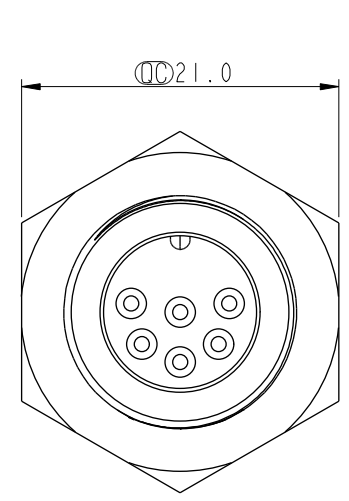


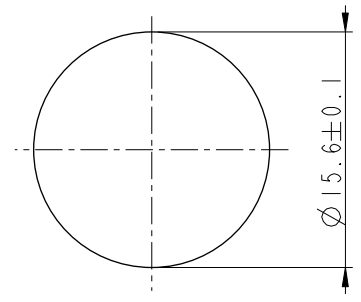
THIS DOCUMENT IS SUBJECT TO CHANGE WITHOUT NOTICE. IT IS CONFIDENTIAL AND A PROPERTY OF AMPHENOL LTW. DISCLOSURE TO THIRD PARTY HAS TO BE AUTHORIZED BY AMPHENOL LTW.

REV.	ECN NO.	DATE	SIGN	DESCRIPTION
B	C190269	2019/03/06	Ruru	Modify Note

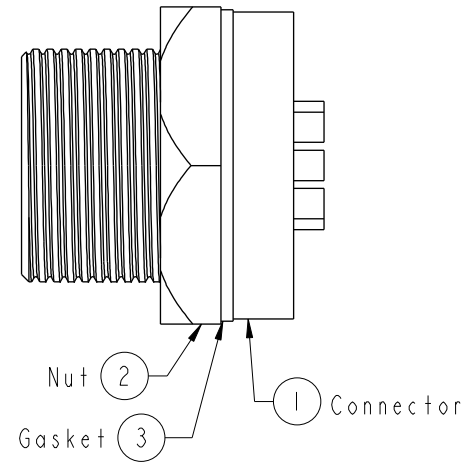
**ALTW**  
**CONFIDENTIAL**  
 2019-03-06  
 R&D DEPT.



Pin Assignments  
Front View



Recommended Panel Cut-out



Note:  $\triangle$

- \*  $\varnothing$  Important Dimension To Check.
- \* Waterproof Rate: IP67, Unmated
- \* Housing: Metal, Nickel Plated
- \* Pin: Copper Alloy, Gold Plated
- \* Nut: Metal, Nickel Plated
- \* Gasket: Rubber, Black
- \* Maximum Panel Thickness: 4.4mm
- \* Gasket and Nut are packed separately in PE bags.

UNIT:mm		
TOLERANCE	.X $\pm 0.25$	
	.XX $\pm 0.1$	
	.XXX $\pm 0.05$	
ANGLES	$\pm 1^\circ$	

TITLE Standard Panel Screw 6Pin M Conn M Pin			
SCALE 2:1	SIZE A4	SHEET 1 OF 1	
REV. B	WC-REV. A.4	$\varnothing$ : Inspection item	

**Amphenol LTW**  
 安費諾亮泰企業股份有限公司

ITEM NO BSD-06PMMS-SC7001	DRAWN BY Ruru	DATE 2019-03-06
DWG NO BSD-06PMMS-SC7001	CHECKED BY Rita	DATE 2019-03-06
CUSTOMER ALTW	APPROVED BY Max	DATE 2019-03-06

# Mouser Electronics

Authorized Distributor

Click to View Pricing, Inventory, Delivery & Lifecycle Information:

[Amphenol:](#)

[BSD-06PMMS-SC7001](#)