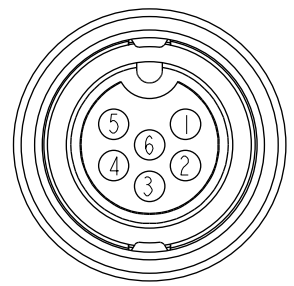
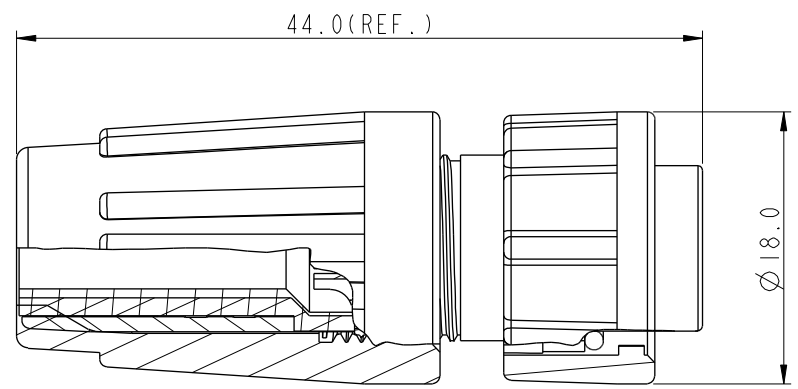
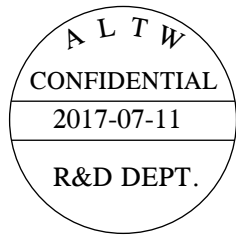
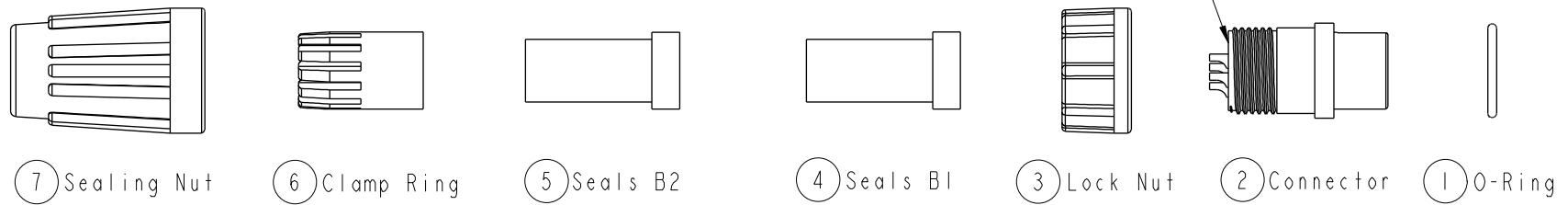


THIS DOCUMENT IS SUBJECT TO CHANGE WITHOUT NOTICE. IT IS CONFIDENTIAL AND A PROPERTY OF AMPHENOL LTW. DISCLOSURE TO THIRD PARTY HAS TO BE AUTHORIZED BY AMPHENOL LTW.

REV.	ECN NO.	DATE	SIGN	DESCRIPTION
B	LEN1770150	2017/07/11	Vicky	Update Note



Pin Assignments
Front View 前視圖

Note:

- * \varnothing Important Dimension
- * Waterproof Rate: IP66
- * Ring: EPDM, Black
- * Housing: Nylon+GF, Black
- * Male Pin: Copper Alloy, Gold Plated
- * Lock Nut: Nylon+GF, Black
- * Seals: EPDM, Black
- * Clamping Ring: Nylon+GF, Black
- * Sealing Nut: Nylon+GF, Black
- * PE Bag: 90mm*85mm
- * Liquid Glue: Clear
- * Seals B1 for Cable OD: \varnothing 4.5mm~ \varnothing 6.5mm
(防水墊圈B1線徑: \varnothing 4.5mm~ \varnothing 6.5mm)
- * Seals B2 for Cable OD: \varnothing 3.5mm~ \varnothing 5.3mm
(防水墊圈B2線徑: \varnothing 3.5mm~ \varnothing 5.3mm)
- * One Set Unassembled in One PE Bag
(每一組未組裝, 放置於一個PE袋, 並封口)

UNIT: mm		
TOLERANCE	.X ±0.25	
.XX ±0.1		
.XXX ±0.05		
ANGLES	±1°	

TITLE Standard, Assy Lock 6Pin F Conn M Pin			
SCALE 1:1	SIZE A4	SHEET 1 OF 1	
REV. B	WC-REV. A.2	\varnothing : Inspection item	

Amphenol LTW
安費諾亮泰企業股份有限公司

ITEM NO. BD-06BFMA-LL6001	DRAWN BY Vicky	DATE 2017-07-11
DWG NO. BD-06BFMA-LL6001	CHECKED BY Rita	DATE 2017-07-11
CUSTOMER ALTW	APPROVED BY Max	DATE 2017-07-11

A B B C D E F

Mouser Electronics

Authorized Distributor

Click to View Pricing, Inventory, Delivery & Lifecycle Information:

[Amphenol:](#)

[BD-06BFMA-LL6001](#)