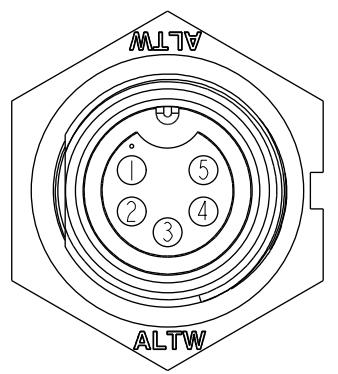
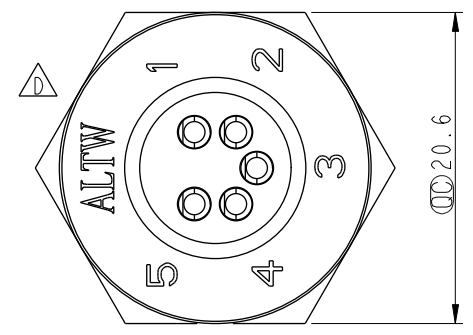
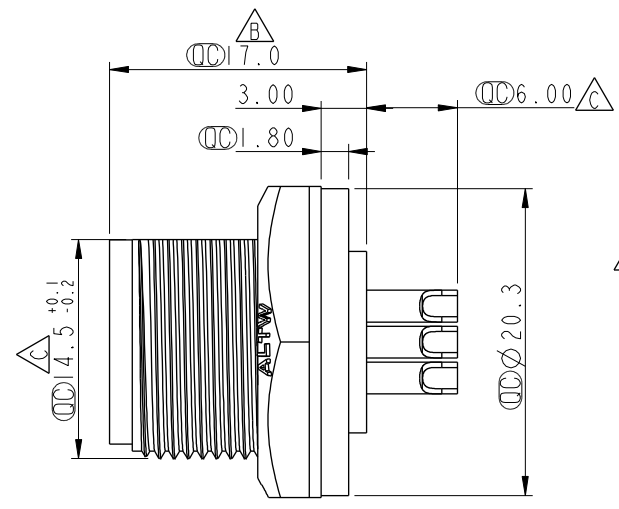
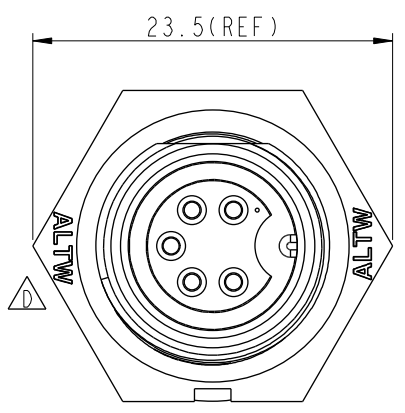


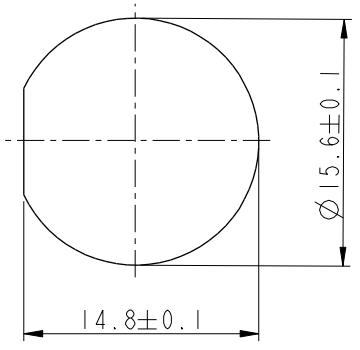
THIS DOCUMENT IS SUBJECT TO CHANGE WITHOUT NOTICE. IT IS CONFIDENTIAL AND A PROPERTY OF Amphenol LTW. DISCLOSURE TO THIRD PARTY HAS TO BE AUTHORIZED BY Amphenol LTW.

REV.	ECN NO.	DATE	SIGN	DESCRIPTION
C	LE3-870042	2007/11/05	Tina	Change To Pin Hole
D	LEN1660752	2016/06/06	Ruru	Change Logo
E	CI90273	2019/02/23	Ruru	Modify Note

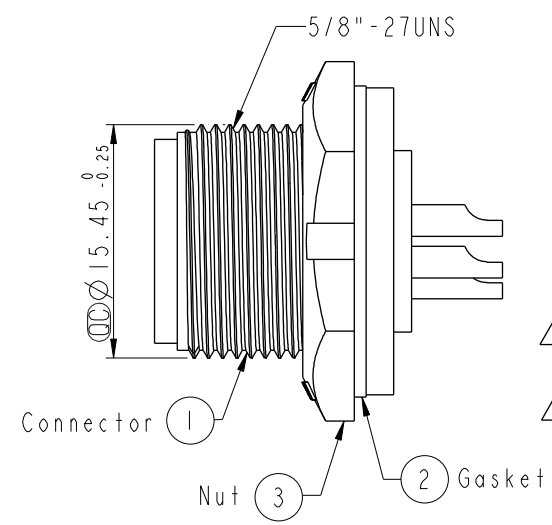
**ALTW**  
 CONFIDENTIAL  
 2019-02-23  
 R&D DEPT.



Pin Assignments  
Front View



Recommended Panel Cut-out



Note:  $\triangle$

- \*  $\text{CC}$  Important Dimension To Check.
- \* Waterproof Rate: IP67, Unmated
- \* Housing: Thermoplastic, Black
- \* Pin: Copper Alloy, Gold Plated
- \* Nut: Thermoplastic, Black
- \* Gasket: Rubber, Black
- $\triangle$ \* Use With Waterproof Cap Or Dust Cap For Panel Thickness Max: 3.0mm
- $\triangle$ \* Use Without Waterproof Cap Or Dust Cap For Panel Thickness Max: 4.0mm
- \* Gasket and Nut are packed separately in PE bags.

UNIT:mm	
TOLERANCE	
.X	±0.25
.XX	±0.1
.XXX	±0.05
ANGLES	±1°

TITLE Standard Panel Lock 5Pin M Conn F Pin			
SCALE 2:1	SIZE A4	SHEET 1 OF 1	
REV. E	WC-REV. A.3	$\text{CC}$ : Inspection item	

**Amphenol LTW**  
 安費諾亮泰企業股份有限公司

ITEM NO BD-05PMFS-SC7001	DRAWN BY Ruru	DATE 2019-02-23
DWG NO BD-05PMFS-SC7001	CHECKED BY Rita	DATE 2019-02-23
CUSTOMER ALTW	APPROVED BY Max	DATE 2019-02-23

# Mouser Electronics

Authorized Distributor

Click to View Pricing, Inventory, Delivery & Lifecycle Information:

[Amphenol:](#)

[1BD-05PMFS-SC7001](#)