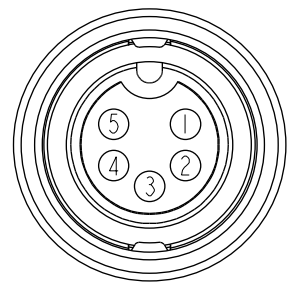
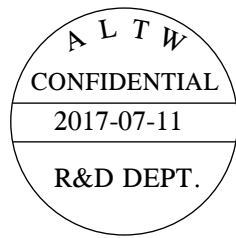
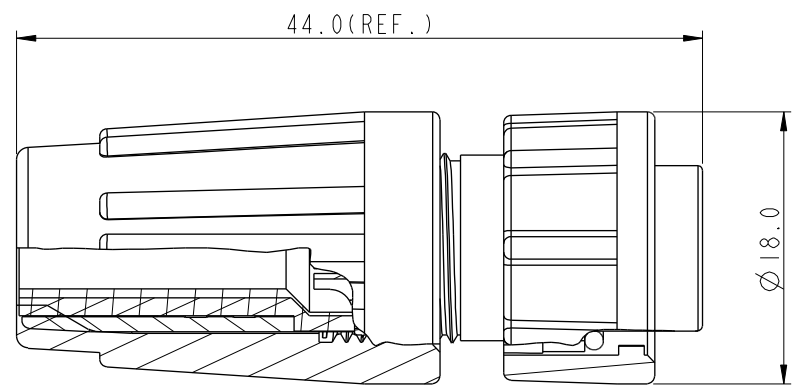
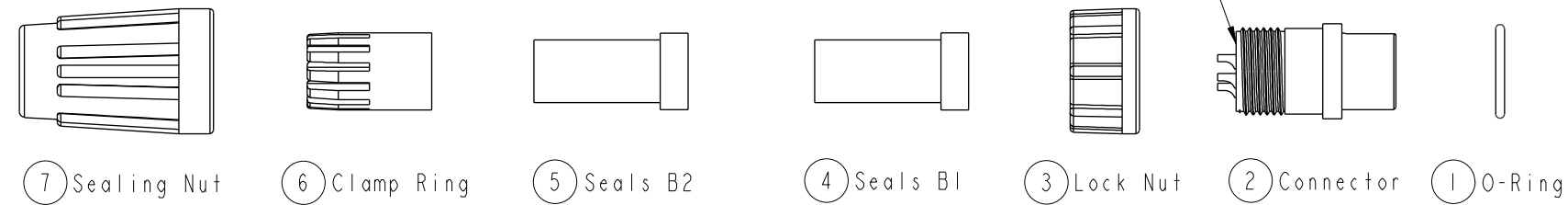


THIS DOCUMENT IS SUBJECT TO CHANGE WITHOUT NOTICE. IT IS CONFIDENTIAL AND A PROPERTY OF AMPHENOL LTW. DISCLOSURE TO THIRD PARTY HAS TO BE AUTHORIZED BY AMPHENOL LTW.

REV.	ECN NO.	DATE	SIGN	DESCRIPTION
B	LEN1770149	2017/07/11	Vicky	Update Note



Pin Assignments
Front View 前視圖

Note:

- * \varnothing Important Dimension
- * Waterproof Rate: IP66
- * Ring: EPDM, Black
- * Housing: Nylon+GF, Black
- * Male Pin: Copper Alloy, Gold Plated
- * Lock Nut: Nylon+GF, Black
- * Seals: EPDM, Black
- * $\triangle B$ Clamping Ring: Nylon+GF, Black
- * $\triangle B$ Sealing Nut: Nylon+GF, Black
- * PE Bag: 90mm*85mm
- * Liquid Glue: Clear
- * Seals B1 for Cable OD: $\varnothing 4.5\text{mm} \sim \varnothing 6.5\text{mm}$
(防水墊圈1線徑: $\varnothing 4.5\text{mm} \sim \varnothing 6.5\text{mm}$)
- * Seals B2 for Cable OD: $\varnothing 3.5\text{mm} \sim \varnothing 5.3\text{mm}$
(防水墊圈2線徑: $\varnothing 3.5\text{mm} \sim \varnothing 5.3\text{mm}$)
- * One Set Unassembled in One PE Bag
(每一組未組裝, 放置於一個PE袋, 並封口)

UNIT: mm		TITLE Standard, Assy Lock 5Pin F Conn M Pin
TOLERANCE .X ±0.25 .XX ±0.1 .XXX ±0.05 ANGLES ±1°		SCALE 1:1 SIZE A4 SHEET 1 OF 1 REV. B WC-REV. A.2 \varnothing : Inspection item

Amphenol LTW
安費諾亮泰企業股份有限公司

ITEM NO. BD-05BFMA-LL6001	DRAWN BY Vicky	DATE 2017-07-11
DWG NO. BD-05BFMA-LL6001	CHECKED BY Rita	DATE 2017-07-11
CUSTOMER ALTW	APPROVED BY Max	DATE 2017-07-11

Mouser Electronics

Authorized Distributor

Click to View Pricing, Inventory, Delivery & Lifecycle Information:

[Amphenol:](#)

[BD-05BFMA-LL6001](#)