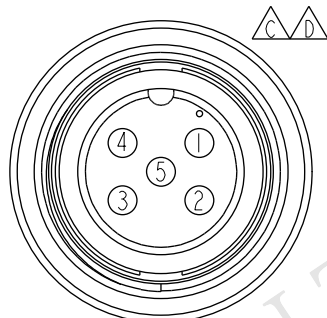
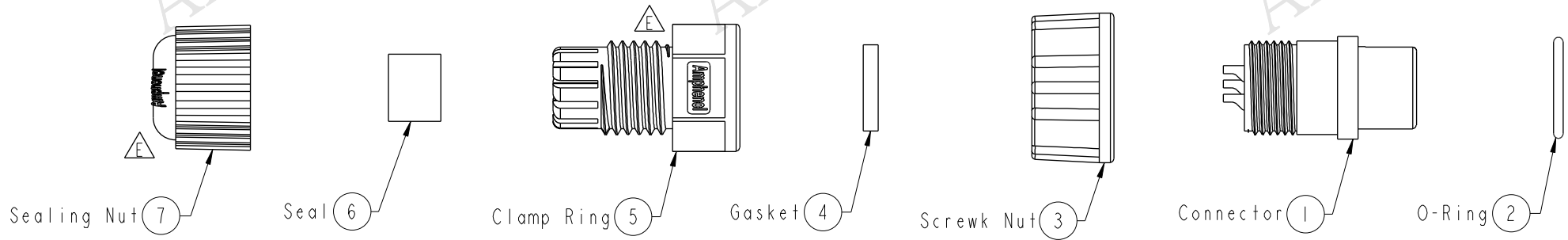


THIS DOCUMENT IS SUBJECT TO CHANGE WITHOUT NOTICE. IT IS CONFIDENTIAL AND A PROPERTY OF Amphenol LTW. DISCLOSURE TO THIRD PARTY HAS TO BE AUTHORIZED BY Amphenol LTW.

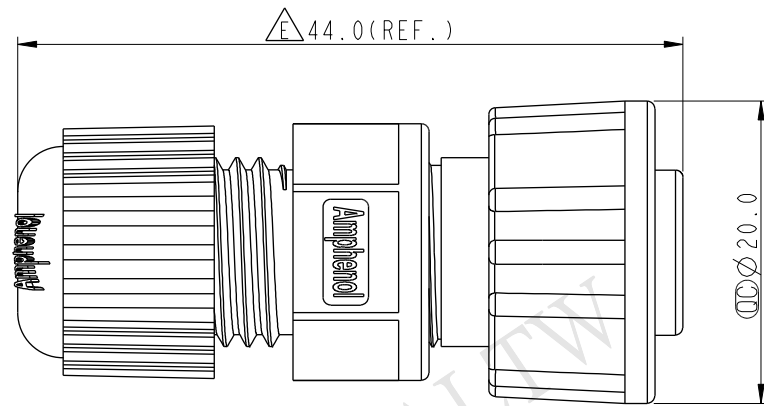
REV.	ECN NO.	DATE	SIGN	DESCRIPTION
C	LEN-910226	2009/01/09	Li Xiu Zhi	Change Screw Nut Front View
D	LEN-0C0587	2010/11/29	Ivan	Change View
E	LEN14C0037	2014/11/21	Vicky	Update Logo & Dimension

ALTW
 CONFIDENTIAL
 2014-11-21
 R&D DEPT.

ALTW
 DCC. DEPT.
 CONFIDENTIAL
 2014.12.03
 ISSUED



Pin Assignments
Front View



- Note:
- * ⌀ Important Dimension To Check.
 - * Waterproof Rate: IP67
 - * Housing: Nylon+GF, Black
 - * Female Pin: Copper Alloy, Gold Plated
 - * O-Ring: EPDM, Black
 - * \triangle Screw Nut: Nylon+GF, Black
 - * Gasket: EPDM, Black
 - * Clamp Ring: Nylon, Black
 - * Seal: EPDM, Black
 - * Sealing Nut: Nylon, Black
 - * Seal For Cable OD: $\text{⌀} 4.5\text{mm} \sim \text{⌀} 6.5\text{mm}$
(防水墊圈線徑: $\text{⌀} 4.5\text{mm} \sim \text{⌀} 6.5\text{mm}$)
 - * One Set Unassembled In One PE Bag
(每一組未組裝, 放置於一個PE袋, 並封口)

UNIT: mm 	TITLE STANDARD ASSY SCREW 5PIN F CONN F PIN			ITEM NO. BD-05BFFA-SL7001		DRAWN BY Vicky		DATE 2014-11-21		
	SCALE 5:4		SIZE A4		DWG NO. BD-05BFFA-SL7001		CHECKED BY Sam		DATE 2014-11-21	
	REV. E		WC-REV. A.2		CUSTOMER ALTW		APPROVED BY Rita		DATE 2014-11-21	

Amphenol LTW
 安費諾亮泰企業股份有限公司

⌀ : Inspection item

Mouser Electronics

Authorized Distributor

Click to View Pricing, Inventory, Delivery & Lifecycle Information:

[Amphenol:](#)

[BD-05BFFA-SL7001](#)