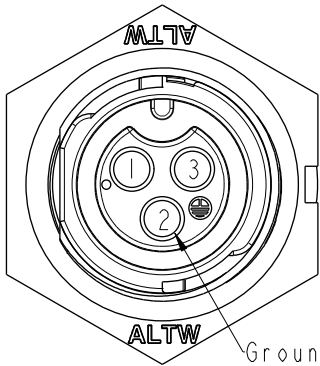
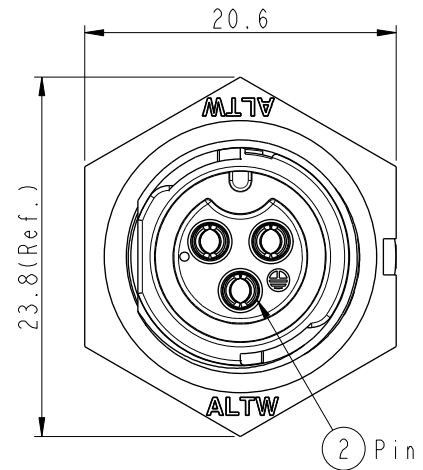
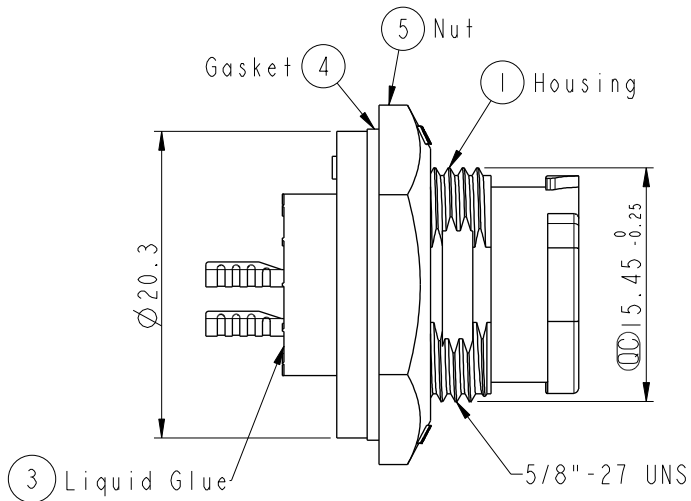
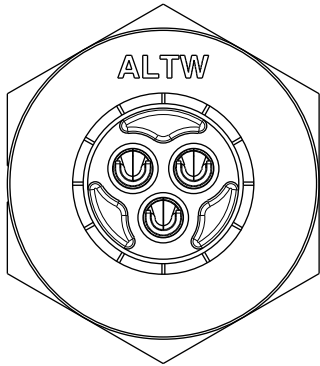
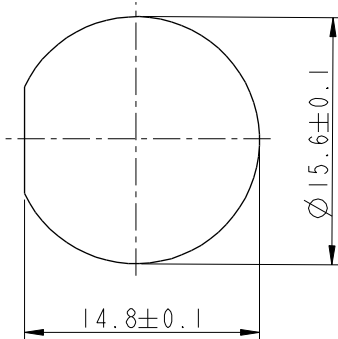


| REV. | ECN NO. | DATE | SIGN | DESCRIPTION |
|------|---------|------------|-------|-------------|
| B | CI90411 | 2019/03/14 | Vicky | Change Note |
| | | | | |

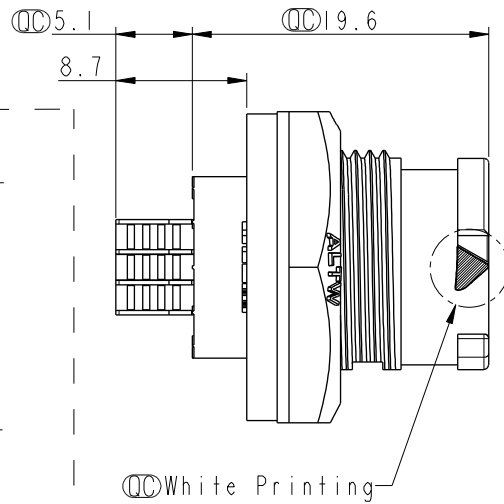
ALTW
CONFIDENTIAL
2019-03-14
R&D DEPT.



Pin Assignments
Front View



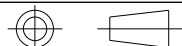
Recommended Panel Cut-out



Note:

- * CC Important Dimension To Check.
- * Waterproof Rate: IP68, Unmated.
In 1 meter water within 24 hours
- * Housing: Thermoplastic, Black.
- * Pin: Copper Alloy, Gold Plated.
- * Nut: Thermoplastic, Black.
- * Gasket: Rubber, Gary.
- * Use Whitout Waterproof Cap
Panel Thickness Max: 4.0mm
- * Use Whit Waterproof Cap
Panel Thickness Max: 3.0mm
- * Gasket and Nut are packed separately
in PE bags.

UNIT:mm



| | | | |
|---|----------------|-------------------------------|--|
| TITLE X Lok B-Size Receptacle Front Fastened M Conn F 3 Pin | | | |
| SCALE 2:1 | SIZE A4 | SHEET 1 OF 1 | |
| REV. B | WC-REV. A.1 | CC : Inspection item | |

Amphenol LTW
安費諾亮泰企業股份有限公司

| | | |
|------------------------------|--------------------|--------------------|
| ITEM NO. BB-03PMFS-QC800P | DRAWN BY Vicky | DATE 2019-03-14 |
| DWG NO. BB-03PMFS-QC800P | CHECKED BY Rita | DATE 2019-03-14 |
| CUSTOMER ALTW | APPROVED BY Max | DATE 2019-03-14 |

THIS DOCUMENT IS SUBJECT TO CHANGE WITHOUT NOTICE. IT IS CONFIDENTIAL AND A PROPERTY OF Amphenol LTW. DISCLOSURE TO THIRD PARTY HAS TO BE AUTHORIZED BY Amphenol LTW.

Mouser Electronics

Authorized Distributor

Click to View Pricing, Inventory, Delivery & Lifecycle Information:

[Amphenol:](#)

[BB-03PMFS-QC800P](#)