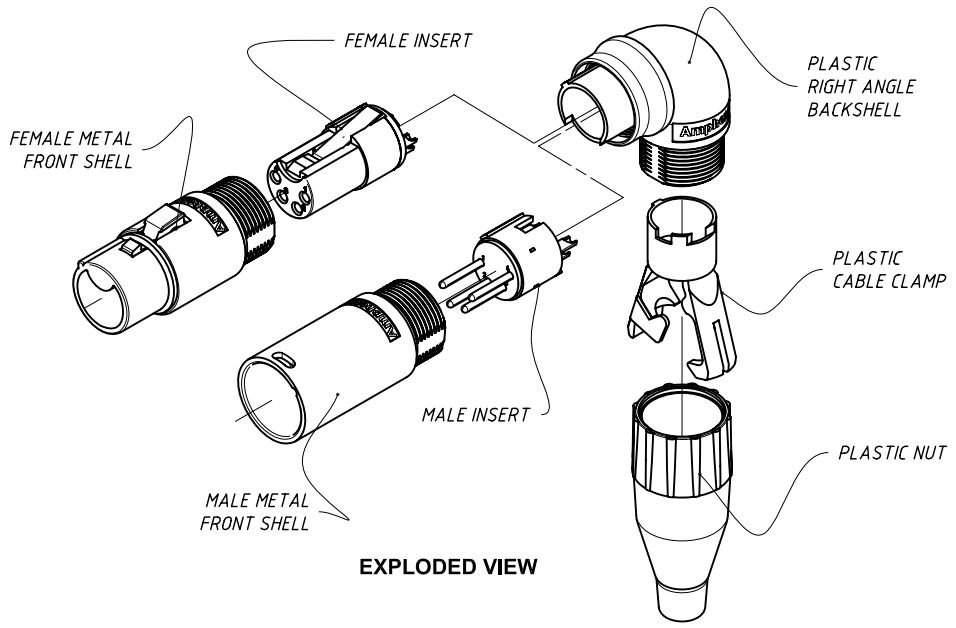


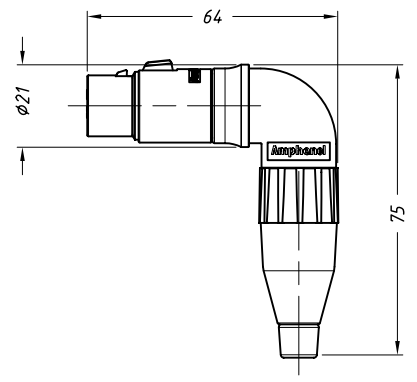
1 2 3 4 5 6

A
B
C
D
E
F

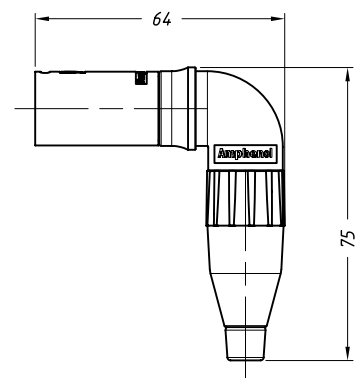
A
B
C
D
E
F



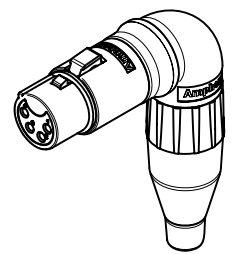
EXPLODED VIEW



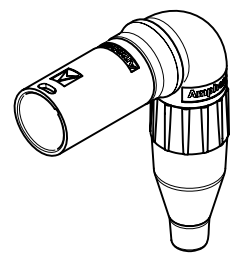
OVERALL DIMENSION FEMALE CONNECTOR



OVERALL DIMENSION MALE CONNECTOR

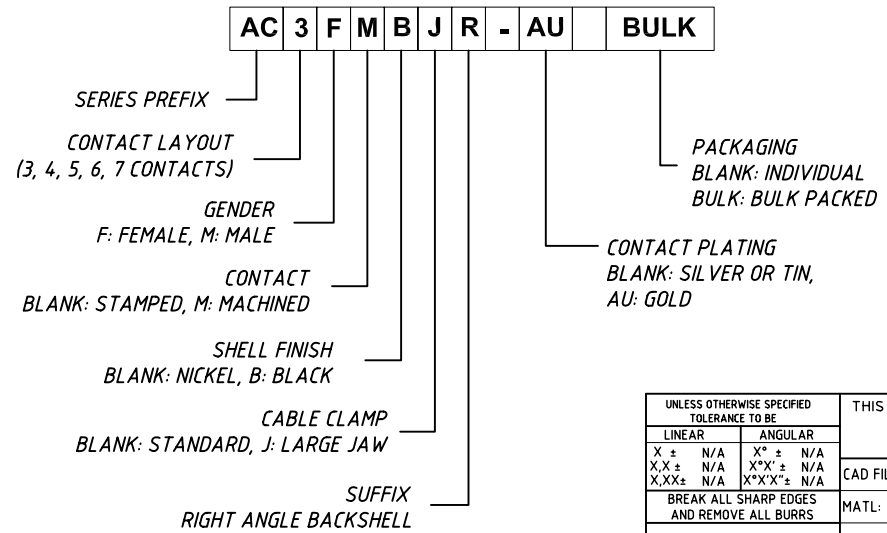


3D VIEW FEMALE CONNECTOR



3D VIEW MALE CONNECTOR

PART NUMBER BREAKDOWN



UNLESS OTHERWISE SPECIFIED TOLERANCE TO BE		THIS DOCUMENT IS THE PROPERTY OF AMPHENOL AUSTRALIA PTY. LTD.. NO PART THEREOF MAY BE REPRODUCED AND USED WITHOUT THE PRIOR WRITTEN CONSENT OF THE OWNER			0	FIRST ISSUE	T.N		
LINEAR	ANGULAR	CAD FILE: 55010508000110	DRN: T.N	DATE: 10/10/07	REV.	CHANGE DETAILS	BY	DATE	CHG/No
X ± N/A	X° ± N/A	MATL:	CKD: P.M	DATE:	RIGHT ANGLE AC SERIES METAL CONNECTOR Amphenol Amphenol Australia Pty.Ltd, 2 Fiveways Blvd, Keysborough, Vic3173 DRAWING NO. SHEET 55010508-000-1 1 OF 1				
X.X ± N/A	X°X' ± N/A	BREAK ALL SHARP EDGES AND REMOVE ALL BURRS	APP'D: P.M	DATE:					
DO NOT SCALE		FINISH:	SCALE: NTS		PART No: SEE DETAIL		SIZE: A4		
DIMENSIONS IN MILLIMETRES		THIRD ANGLE PROJECTION							

1 2 3 4 5 6

Mouser Electronics

Authorized Distributor

Click to View Pricing, Inventory, Delivery & Lifecycle Information:

[Amphenol:](#)

[AC3MMR](#)