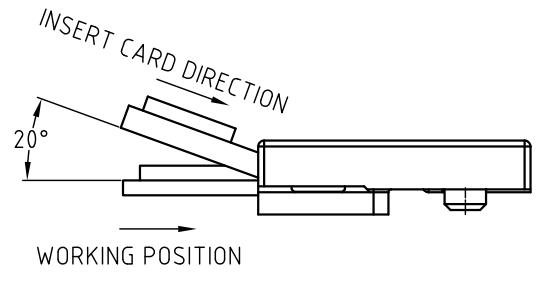
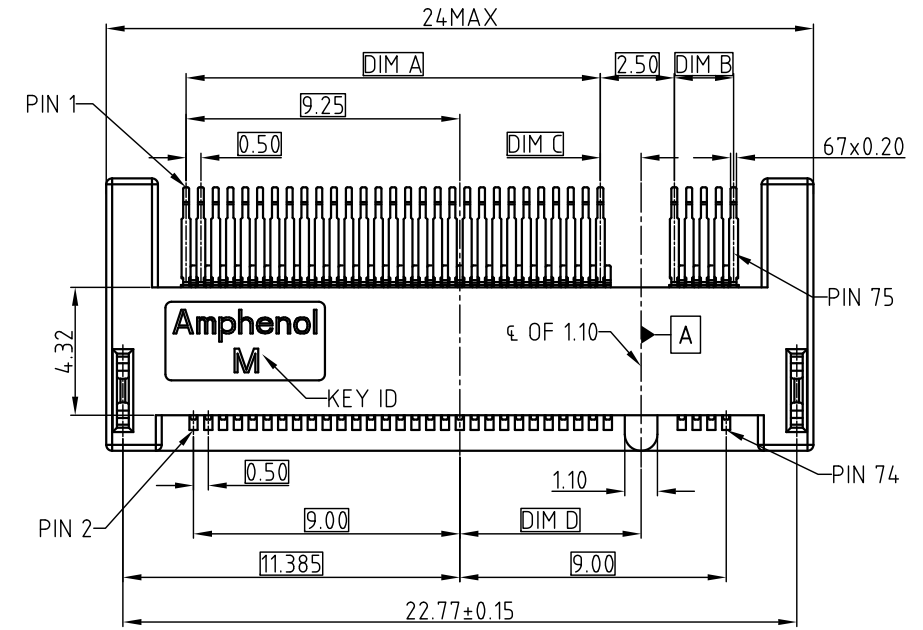


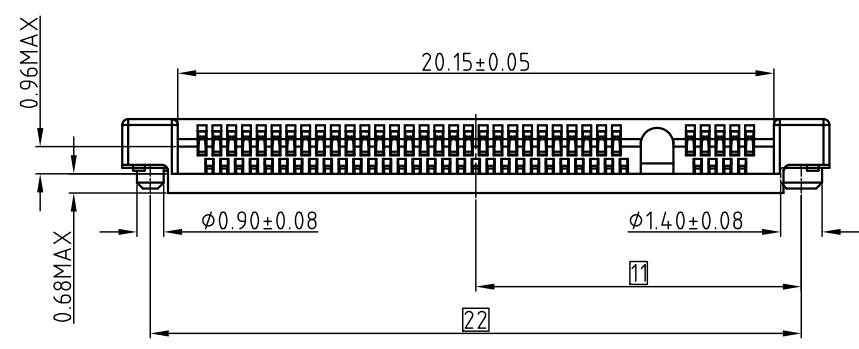
This document is the property of Amphenol Corporation and is delivered on the express condition that it is not to be disclosed, reproduced or used, in whole or in part, for manufacture or sale by anyone other than Amphenol Corporation without its prior consent, & that no right is granted to disclose or to use any information in this document.

# CUSTOMER DRAWING

REVISIONS				
SYM	ECN	DESCRIPTION	DATE	APPROVED
1	CDXXXX	NEW RELEASE	JAN.06,2014	YH



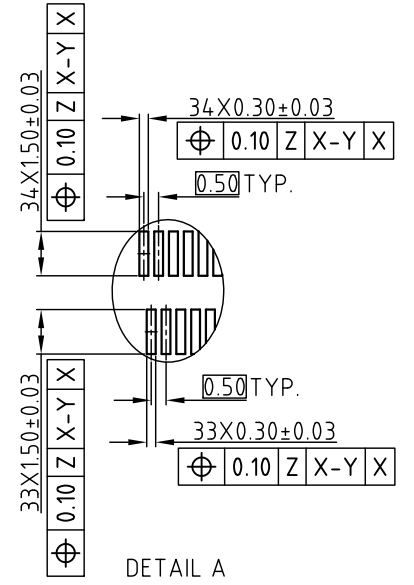
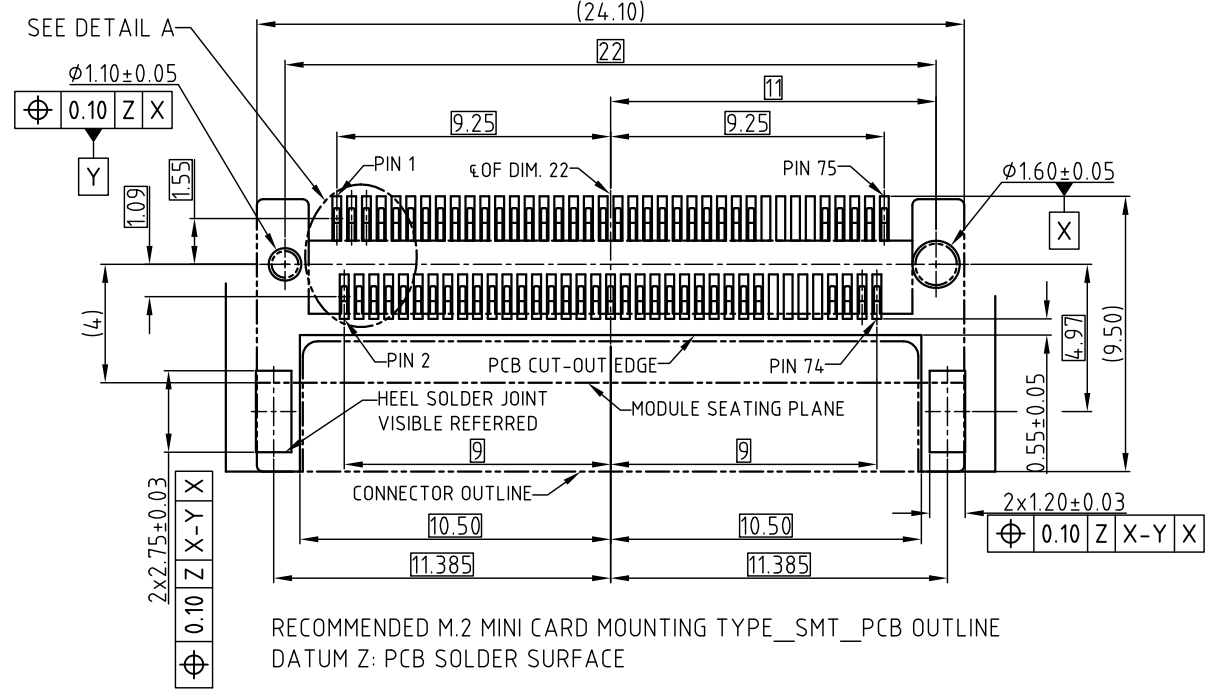
- NOTE:
- MATERIAL:
    - PLASTIC: LCP, UL 94V-0, BLACK
    - CONTACT: COPPER ALLOY
    - BOARD LOCK: ALLOY
  - FINISHED:
    - CONTACT AREA: SEE P/N SYSTEM
    - SOLDER AREA: GOLD FLASH
    - BOARD LOCK: TIN PLATING
    - UNDERPLATED: NI PLATING
  - ELECTRICAL PERFORMANCE:
    - 3.1 CURRENT RATING: 0.5A PER PIN, VOLTAGE RATING: 50 VAC PER PIN
    - 3.2 DIELECTRIC STRENGTH: 300V AC FOR 1 MINUTE
    - 3.3 INSULATION RESISTANCE: 500MΩ MIN
    - 3.4 CONTACT RESISTANCE: 55mΩ MAX
    - 3.5 OPERATION TEMPERATURE: -40°C TO +80°C
  - MATERIAL SHOULD BE FULFILLED AMPHENOL SPEC# S-SN-002
  - PRODUCT SHOULD BE FULFILLED AMPHENOL PACKAGE SPEC#PKS-MTD-001



ORDER P/N SYSTEM:  
MDT 180 X XX 001

PLATING  
01 0.76 MICRONS GOLD PLATING  
02 0.38 MICRONS GOLD PLATING  
03 GOLD FLASH

CONNECTOR KEY ID  
A - KEY A  
B - KEY B  
E - KEY E  
M - KEY M  
...



## PROPOSAL DRAWING

KEY ID	DIM.A	DIM.B	DIM.C	DIM.D	REMARK
M	14.0	2.0	1.375	6.125	
E	5.5	10.5	1.125	-2.625	
B	2.5	13.5		-5.625	
A	1.5	14.5		-6.625	

UNLESS OTHERWISE SPECIFIED TOLERANCES		APPROVAL		DATE	
.X	+/-	DRAWN	Yunx.liu	JAN.06,2014	Amphenol
.XX	+/-	CHECKED	Ly.yi	JAN.06,2014	
.XXX	+/-	APPROVED			
FRACTIONS	+/-	DRAWING FILE : DRAWING\MDT\CMDT180XXX001			
ANGLES	+/-	ANGLE OF PROJECTION			
FOR MATERIALS AND FINISHES SEE NOTES					
REMOVE SHARP EDGES					
DIMENSIONS					
U.S.		INCHES		TITLE	
(METRIC)		(MM)		M.2 MINI PCIe CONECTOR (MID LINE)	
				SIZE	
				DRAWING NO.	
				A3 C MDT-180-X-XX-001	
				REV.	
				1	
				SCALE	
				NONE	
				SHEET 1 OF 1	

RECOMMENDED M.2 MINI CARD MOUNTING TYPE\_SMT\_PCB OUTLINE  
DATUM Z: PCB SOLDER SURFACE

NOTE: PCB WILL NEED TO BE CUT-OUT TO PROVIDE CLEARANCE FOR THE CONNECTOR, THE REFERENCE DIMENSIONS ON THIS FIGURE PROVIDE GUIDANCE. ADDITIONAL CUT-OUT MAY BE REQUIRED FOR THE MODULE.

# Mouser Electronics

Authorized Distributor

Click to View Pricing, Inventory, Delivery & Lifecycle Information:

[FCI / Amphenol:](#)

[MDT180A02001](#) [MDT180M02001](#) [MDT180E01001](#) [MDT180B02001](#) [MDT180E03001](#) [MDT180E02001](#)  
[MDT180M03001](#) [MDT180B01001](#) [MDT180A01001](#) [MDT180B03001](#) [MDT180A03001](#) [MDT180M01001](#)