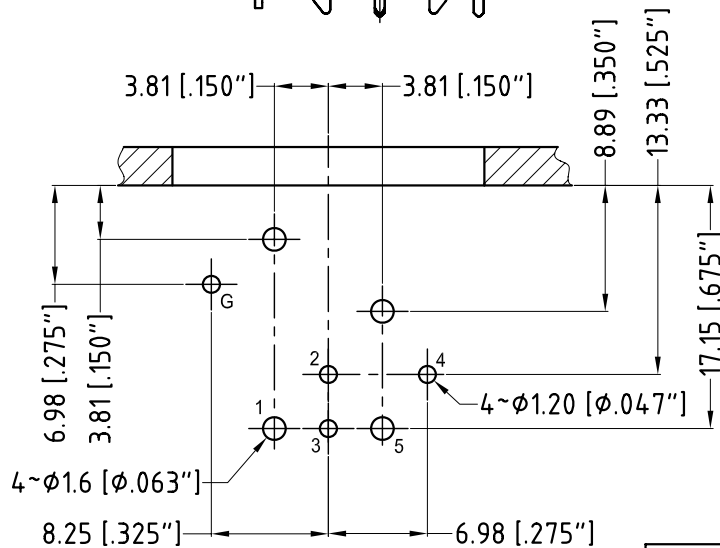
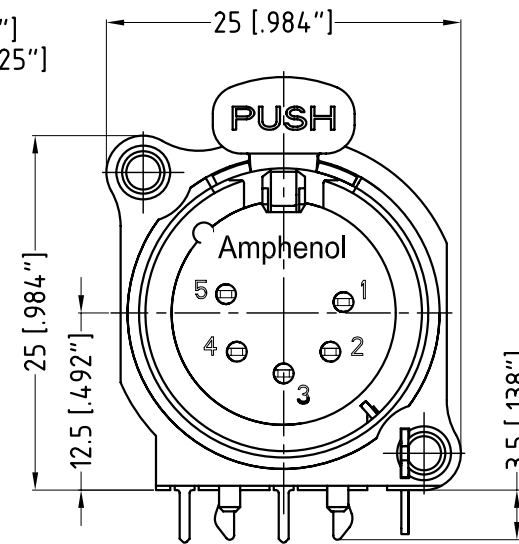
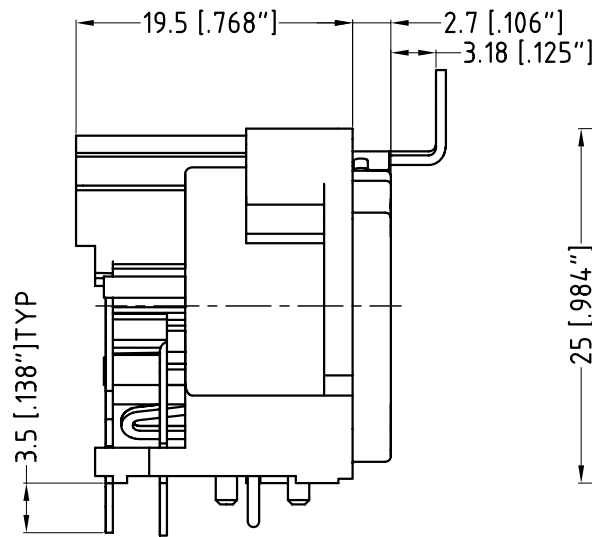
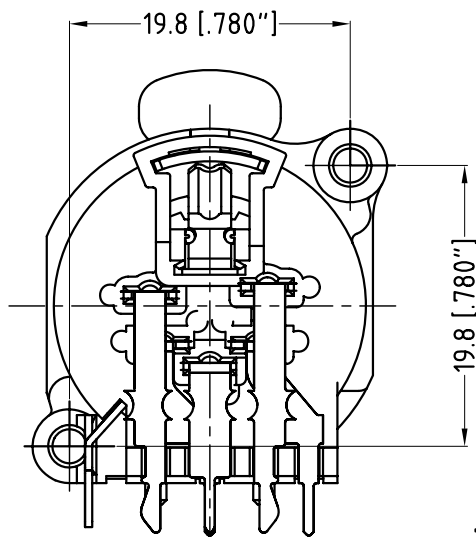


LEGEND = KEY PRODUCT CHARACTERISTICS



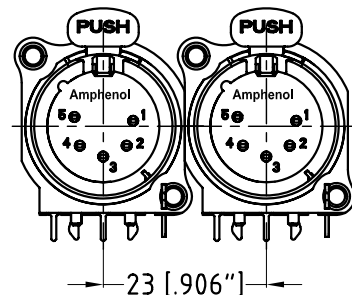
REVISION HISTORY

REV	DESCRIPTION	DATE	BY	CHG/No
0	FIRST ISSUED	21-08-08	M.H	---
1	ADD -B TO PN	26-08-15	M.H	---

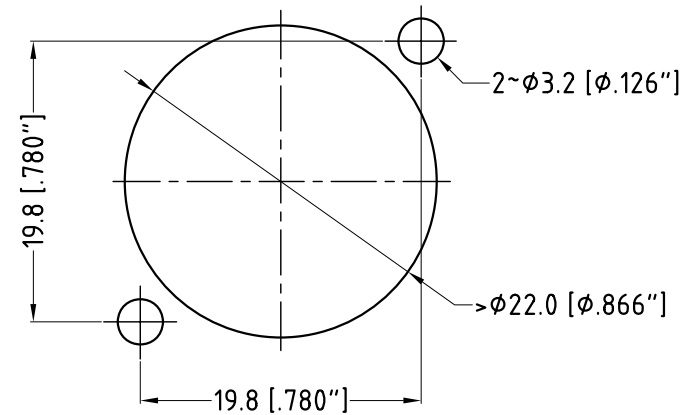


PCB-LAYOUT

COMPONENT SIDE
TOLERANCE: ±0.05mm [0.002"]



(SCALE 1:2)



PANEL CUT OUT

REAR VIEW

UNLESS OTHERWISE SPECIFIED
TOLERANCE TO BE

LINEAR	ANGULAR
X ±0.5	X° ±1
X.X ±0.1	X.X° ±30'
X.XX ±0.05	X.XX° ±15'

BREAK ALL SHARP EDGES
AND REMOVE ALL BURRS

DO NOT SCALE

DIMENSIONS IN MILLIMETRES

THIS DOCUMENT IS THE PROPERTY OF AMPHENOL AUSTRALIA PTY. LTD.
NO PART THEREOF MAY BE REPRODUCED AND USED
WITHOUT THE PRIOR WRITTEN CONSENT OF THE OWNER

MATERIAL:
REFER TO COMPONENTS

FINISH: **REFER TO COMPONENTS**

THIRD ANGLE PROJECTION

DRN: **A.O** DATE: **20-08-08**

CKD: M.H DATE: 26-08-15

APP'D: P.M DATE: 26-08-15

SCALE: 1:1 SIZE: A4

Amphenol

TITLE:
**AC5FAH-AU-B
HORIZONTAL FEMALE
CUSTOMER DRAWING**

CAD FILE: 55010445000111

Amphenol Australia Pty.Ltd,
2 Flveways Blvd, Keysborough, VIC 3173

PART NO:
AC5FAH-AU-B

DRAWING NO. **55010445-000-1** SHEET **1/1**

Mouser Electronics

Authorized Distributor

Click to View Pricing, Inventory, Delivery & Lifecycle Information:

[Amphenol:](#)

[AC5FAH-AU-B](#)