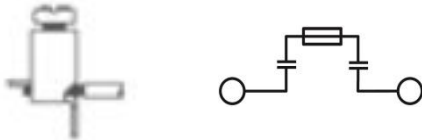


Euro Fuse Terminal Block

Article: **10134300-001LF**

Fuse Terminal Block - G5x20mm – Grey

Screw connection - 4mm² / 10AWG - Width 10 mm



GENERAL DATA

Series	EURO S4-LH
Item	10134300
Weight/Piece	18.6 g
Colour	Grey
Quantity per package	50pcs

TECHNICAL DATA / DIMENSIONS

Dimensions

Width mm	10
Length mm	66
Height mm	44
Mounting type (EN 60715)	Omega TH35

Technical data

Maximum load current	30A
Insulating material	PA66
Self-extinguishing degree acc. to UL94	V2
Lever insulating material	PA66
Self-extinguishing degree acc. to UL94	V0
Pollution degree	3
Surge voltage category	III
Insulating material group	I
Nominal Voltage	500V
Nominal Current	30A
Glass Fuse	G 5x20 mm
Temperature index, insulating material – Elec. UL 746 B - RTI	85°C
Static insulating material lower permissible temperature	-60°C

Connection data

Conductor cross-section solid min/max	0.50 / 6 mm ²
Conductor cross-section stranded min/max	0.50 / 4 mm ²

AWG min/max	24-10AWG
Max conductor cross-section stranded with ferrule with plastic sleeve	4 mm ² / L=12 mm
Stripping length	max 10 mm
Screw	M3 – Zinc plated steel
Tightening torque	0,6Nm / 7 Lb-In
Clamp	Zinc plated steel
Current bar	Tin Plated copper alloy

APPROVALS



EN60947-7-3

4mm² – 250V – max.6,3A – 4W



EN60947-7-1

4mm² – 500V – 30A

EN60068-2-11

Salt mist test for 96 hours



UL1059

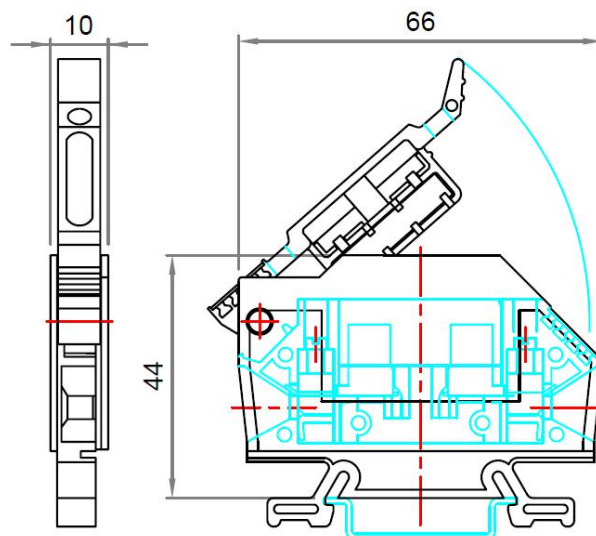


AWG 24-10 – 300V – 15A



AWG 24-10 – 300V – 30A

TECHNICAL DRAWINGS



ACCESSORIES

Marking

Item	Description
10134398-001LF	Single-digit marking tag (5 x 3 mm) - white
10134398-002LF ~ 10134398-011LF	Single-digit marking tag (5 x 3 mm) – with marking: 0 ~ 9
10134398-012LF ~ 10134398-036LF	Single-digit marking tag (5 x 3 mm) – with marking: A ~ Z
10134399-001LF	Marking tag adapter – 6 slots for marking tags
10134400-001LF	Marking tags (5 x 12 mm) - white (<i>special marking on request</i>)
10134449-001LF	Tags 6x12mm (39tags x 20cards)

DIN RAIL system - Mounting and Installation material

Item	Description
10134392-001LF	Description
10134393-001LF	Steel Omega rail 35/7,5mm - 2mt length
10134394-001LF	Slotted steel Omega rail 35/7,5mm - 2mt length
10134395-001LF	Steel Omega rail 35/15mm - 2mt length
10134387-001LF	Slotted steel Omega rail 35/15mm - 2mt length
10134389-001LF	Angled support bracket
10134390-001LF	EURO STOP - End bracket width 9
10134391-001LF	EURO STOP - End bracket width 6
10134392-001LF	EURO STOP - Snap-on end bracket width 6

Mouser Electronics

Authorized Distributor

Click to View Pricing, Inventory, Delivery & Lifecycle Information:

[Amphenol:](#)

[10134300-001LF](#)