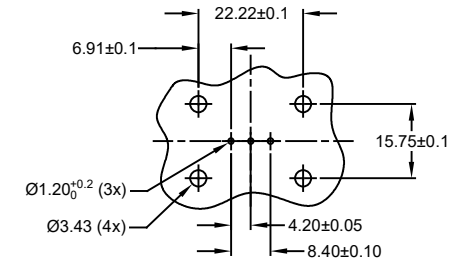
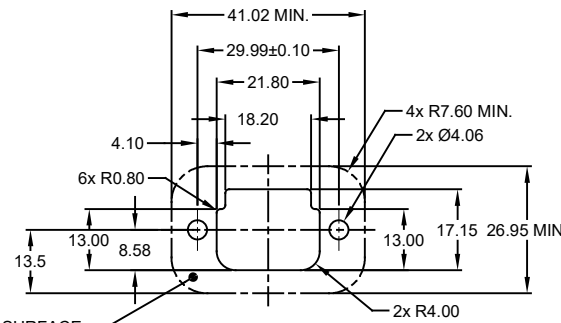
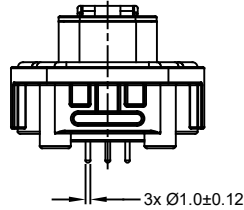
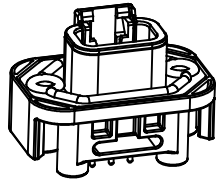
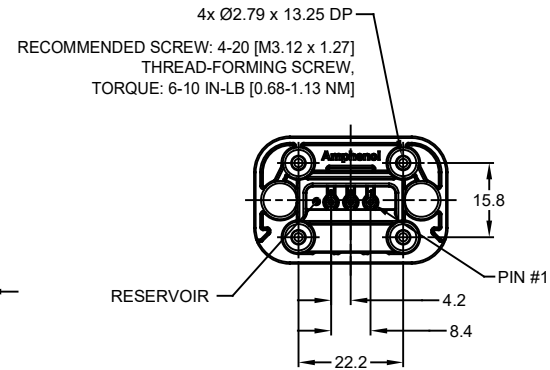
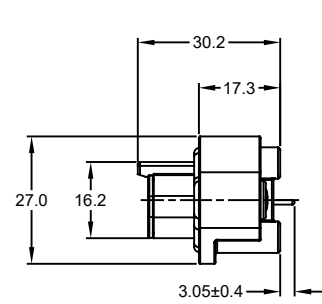
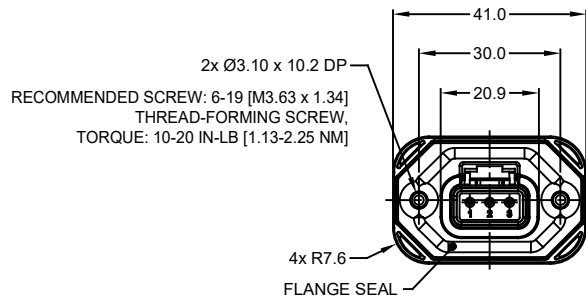


REVISIONS					
REV	ECO	DESCRIPTION	DATE	BY	APPR
A1	-	RELEASE NEW DRAWING	15JUN18	SULLEN	TOMMY
A2	-	REVISED DRAWING	10JUL20	JHEAD	DH



RECOMMENDED PCB LAYOUT
 VIEW FROM COMPONENTS
 SIDE OF PCB

NOTES: UNLESS OTHERWISE SPECIFIED

- MATERIAL:
 HOUSING: THERMOPLASTIC, GREY
 SEAL: SILICONE RUBBER
 CONTACT: COPPER ALLOY
- MODIFICATIONS: FLANGE; STRAIGHT PCB MOUNT
- SPECIFICATIONS:
 3.1 CURRENT RATING: 7.5 AMPS
 3.2 OPERATING TEMPERATURE: -55°C TO +125°C
 3.3 DIELECTRIC WITHSTANDING VOLTAGE: LESS THAN 2 MILLIAMPS CURRENT LEAKAGE @ 1500 VOLTS AC
 3.4 INSULATION RESISTANCE: 1000 MEGOHMS MIN @ 25°C
 3.5 MOISTURE RESISTANCE: IP67 (MATED CONDITION)
 3.6 MATING CYCLE DURABILITY: 100 CYCLES
 3.7 RoHS COMPLIANT
- MATING PART: ATM06-3S* (* = ALL MODIFICATIONS)
- ALL DIMENSIONS ARE FOR REFERENCE USE ONLY
- POTTED CONNECTORS SPECIFIED FOR UP TO 5 P.S.I. APPLICATIONS.

INTERNAL SEALING SURFACE
 FINISH TO BE 3.2/ OR BETTER [70.13]

RECOMMENDED PANEL
 CUTOUT

ATM15-3P-BMXX VARIANTS		
CONTACT PLATING	POTTING OR NOT IN RESERVOIR	PART NUMBER
GOLD	NO POTTING	ATM15-3P-BM01
GOLD	POTTING	ATM15-3P-BM02
TIN	NO POTTING	ATM15-3P-BM03
TIN	POTTING	ATM15-3P-BM04

ATM15-3P-BMXX		PART NUMBER		DESCRIPTION		ITEM																																																																												
<table border="1"> <thead> <tr> <th>QUANTITY</th> <th colspan="3">MATERIALS LIST</th> </tr> </thead> <tbody> <tr> <td>UNLESS OTHERWISE SPECIFIED</td> <td colspan="2">SIGNATURES</td> <td>DATE</td> <td colspan="3" rowspan="4"> <p>Sine Systems - www.amphenol-sine.com 44724 Morley Drive Clinton Township, MI 48036</p> </td> </tr> <tr> <td>1) All dimensions are in metric (mm).</td> <td>DRAWN: SULLEN ZHANG</td> <td colspan="2">15JUN18</td> </tr> <tr> <td>2) Tolerances are as follows:</td> <td>CHECKED: ORION LI</td> <td colspan="2">15JUN18</td> </tr> <tr> <td>1 PL DEC ±0.30 Fractions ±1/64</td> <td>ENGINEER:</td> <td colspan="2"></td> </tr> <tr> <td>2 PL DEC ±0.15</td> <td>APPROVAL: TOMMY XIE</td> <td colspan="2">15JUN18</td> <td colspan="3" rowspan="2"> BOARDLOCK PCB MOUNT RECEPTACLE, 3 PIN, STRAIGHT FLANGE, ATM SERIES </td> </tr> <tr> <td>3 PL DEC ±0.08</td> <td>CUSTOMER:</td> <td colspan="2"></td> </tr> <tr> <td>3) Note reference = </td> <td colspan="6"> THIS DRAWING IS SUPPLIED FOR INFORMATION ONLY. DESIGN FEATURES, SPECIFICATIONS AND PERFORMANCE DATA SHOWN HEREON ARE THE PROPERTY OF THE AMPHENOL CORPORATION. NO RIGHTS OF REPRODUCTION ARE IMPLIED. ALL DIMENSIONS ARE SUBJECT TO NORMAL MANUFACTURING VARIATIONS. </td> </tr> <tr> <td>MATERIAL SPECIFICATIONS:</td> <td colspan="6"> <table border="1"> <thead> <tr> <th>SIZE</th> <th>TYPE</th> <th>DWG NO.</th> <th>REVISION</th> </tr> </thead> <tbody> <tr> <td>B</td> <td>C-</td> <td>ATM15-3P-BMXX</td> <td>A2</td> </tr> </tbody> </table> </td> </tr> <tr> <td>PROCESS SPECIFICATIONS:</td> <td colspan="6"> <table border="1"> <thead> <tr> <th>SCALE</th> <th>SHEET</th> <th>OF</th> </tr> </thead> <tbody> <tr> <td>NONE</td> <td>1</td> <td>1</td> </tr> </tbody> </table> </td> </tr> <tr> <td>NEXT ASSY:</td> <td colspan="6"></td> </tr> </tbody> </table>							QUANTITY	MATERIALS LIST			UNLESS OTHERWISE SPECIFIED	SIGNATURES		DATE	<p>Sine Systems - www.amphenol-sine.com 44724 Morley Drive Clinton Township, MI 48036</p>			1) All dimensions are in metric (mm).	DRAWN: SULLEN ZHANG	15JUN18		2) Tolerances are as follows:	CHECKED: ORION LI	15JUN18		1 PL DEC ±0.30 Fractions ±1/64	ENGINEER:			2 PL DEC ±0.15	APPROVAL: TOMMY XIE	15JUN18		BOARDLOCK PCB MOUNT RECEPTACLE, 3 PIN, STRAIGHT FLANGE, ATM SERIES			3 PL DEC ±0.08	CUSTOMER:			3) Note reference =	THIS DRAWING IS SUPPLIED FOR INFORMATION ONLY. DESIGN FEATURES, SPECIFICATIONS AND PERFORMANCE DATA SHOWN HEREON ARE THE PROPERTY OF THE AMPHENOL CORPORATION. NO RIGHTS OF REPRODUCTION ARE IMPLIED. ALL DIMENSIONS ARE SUBJECT TO NORMAL MANUFACTURING VARIATIONS.						MATERIAL SPECIFICATIONS:	<table border="1"> <thead> <tr> <th>SIZE</th> <th>TYPE</th> <th>DWG NO.</th> <th>REVISION</th> </tr> </thead> <tbody> <tr> <td>B</td> <td>C-</td> <td>ATM15-3P-BMXX</td> <td>A2</td> </tr> </tbody> </table>						SIZE	TYPE	DWG NO.	REVISION	B	C-	ATM15-3P-BMXX	A2	PROCESS SPECIFICATIONS:	<table border="1"> <thead> <tr> <th>SCALE</th> <th>SHEET</th> <th>OF</th> </tr> </thead> <tbody> <tr> <td>NONE</td> <td>1</td> <td>1</td> </tr> </tbody> </table>						SCALE	SHEET	OF	NONE	1	1	NEXT ASSY:						
QUANTITY	MATERIALS LIST																																																																																	
UNLESS OTHERWISE SPECIFIED	SIGNATURES		DATE	<p>Sine Systems - www.amphenol-sine.com 44724 Morley Drive Clinton Township, MI 48036</p>																																																																														
1) All dimensions are in metric (mm).	DRAWN: SULLEN ZHANG	15JUN18																																																																																
2) Tolerances are as follows:	CHECKED: ORION LI	15JUN18																																																																																
1 PL DEC ±0.30 Fractions ±1/64	ENGINEER:																																																																																	
2 PL DEC ±0.15	APPROVAL: TOMMY XIE	15JUN18		BOARDLOCK PCB MOUNT RECEPTACLE, 3 PIN, STRAIGHT FLANGE, ATM SERIES																																																																														
3 PL DEC ±0.08	CUSTOMER:																																																																																	
3) Note reference =	THIS DRAWING IS SUPPLIED FOR INFORMATION ONLY. DESIGN FEATURES, SPECIFICATIONS AND PERFORMANCE DATA SHOWN HEREON ARE THE PROPERTY OF THE AMPHENOL CORPORATION. NO RIGHTS OF REPRODUCTION ARE IMPLIED. ALL DIMENSIONS ARE SUBJECT TO NORMAL MANUFACTURING VARIATIONS.																																																																																	
MATERIAL SPECIFICATIONS:	<table border="1"> <thead> <tr> <th>SIZE</th> <th>TYPE</th> <th>DWG NO.</th> <th>REVISION</th> </tr> </thead> <tbody> <tr> <td>B</td> <td>C-</td> <td>ATM15-3P-BMXX</td> <td>A2</td> </tr> </tbody> </table>						SIZE	TYPE	DWG NO.	REVISION	B	C-	ATM15-3P-BMXX	A2																																																																				
SIZE	TYPE	DWG NO.	REVISION																																																																															
B	C-	ATM15-3P-BMXX	A2																																																																															
PROCESS SPECIFICATIONS:	<table border="1"> <thead> <tr> <th>SCALE</th> <th>SHEET</th> <th>OF</th> </tr> </thead> <tbody> <tr> <td>NONE</td> <td>1</td> <td>1</td> </tr> </tbody> </table>						SCALE	SHEET	OF	NONE	1	1																																																																						
SCALE	SHEET	OF																																																																																
NONE	1	1																																																																																
NEXT ASSY:																																																																																		

TITLE: PCB MOUNT RECEPTACLE, 3PIN, STRAIGHT FLANGE, ATM SERIES
 DWG NO.: ATM15-3P-BMXX
 REV: A2
 SH: 1
 OF: 1

Mouser Electronics

Authorized Distributor

Click to View Pricing, Inventory, Delivery & Lifecycle Information:

[Amphenol:](#)

[ATM15-3P-BM03](#)