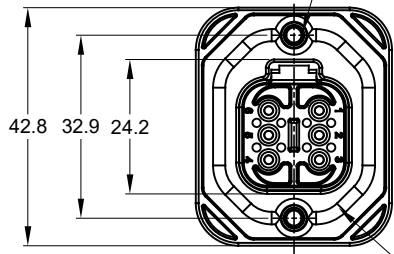
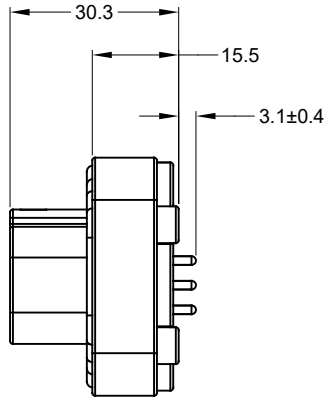


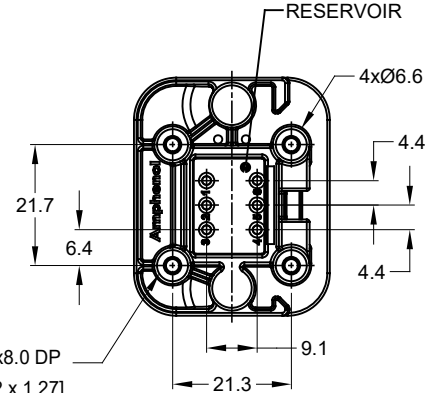
2xØ3.10±0.12x11.18 DP
 RECOMMENDED SCREW: 6-19 [M3.63 x 1.34]
 THREAD-FORMING SCREW,
 TORQUE: 11-15 IN-LB [1.24-1.70 NM]



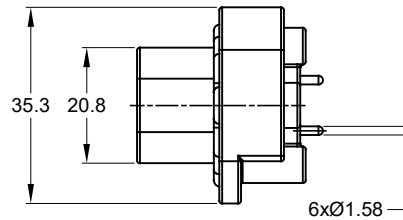
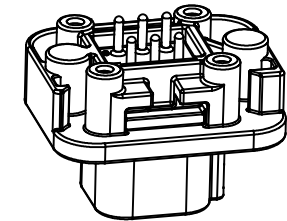
FLANGE SEAL



4xØ2.79±0.12 x8.0 DP
 RECOMMENDED SCREW: 4-20 [M3.12 x 1.27]
 THREAD-FORMING SCREW,
 TORQUE: 6-10 IN-LB [0.68-1.13 NM]



RESERVOIR



NOTES: UNLESS OTHERWISE SPECIFIED

1. MATERIAL:
 HOUSING: THERMOPLASTIC
 SEAL: SILICONE RUBBER
 CONTACT: COPPER ALLOY
2. MODIFICATIONS: FLANGE, PCB MOUNT STRAIGHT
3. SPECIFICATIONS:
 - 3.1 CURRENT RATING: 13 AMPS
 - 3.2 OPERATING TEMPERATURE: -55°C TO +125°C
 - 3.3 DIELECTRIC WITHSTANDING VOLTAGE: LESS THAN 2 MILLIAMPS CURRENT LEAKAGE @ 1500 VOLTS AC.
 - 3.4 INSULATION RESISTANCE: 1000 MEGOHMS MIN @ 25°C.
 - 3.5 MOISTURE RESISTANCE: IP67 (MATED CONDITION)
 - 3.6 MATING CYCLE DURABILITY: 100 CYCLES
 - 3.7 RoHS COMPLIANT
4. MATING PART: AT06-6S* PLUG (* = MODIFICATIONS)
5. ALL DIMENSIONS ARE FOR REFERENCE USE ONLY.
6. POTTED CONNECTORS SPECIFIED FOR UP TO 5 P.S.I. APPLICATIONS.

REVISIONS					
REV	ECO	DESCRIPTION	DATE	BY	APPR
01	--	RELEASE NEW DRAWING	2MAR18	JONY	TOMMY
A2	--	REVISED DRAWING	10JUL20	JHEAD	DH

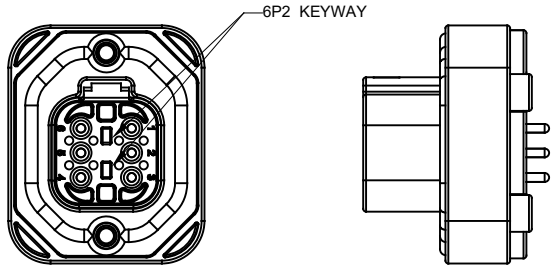
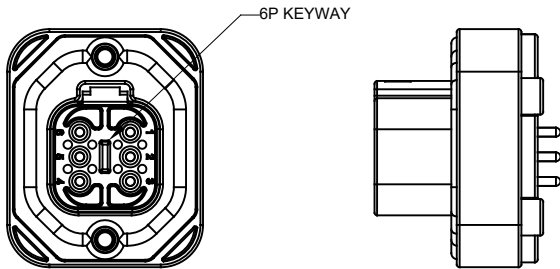
TITLE: PCB MOUNT RECEPTACLE 6 PIN STRAIGHT AT SERIES
 DWG NO: AT15-6PX-BMXX
 REV: A2
 SH: 1
 OF: 2

AT15-6PX-BMXX		REF: DT15-6P, DT15-6P-G003, DT15-6P-GP01	
PART NUMBER		DESCRIPTION	
QUANTITY	MATERIALS LIST		
UNLESS OTHERWISE SPECIFIED 1) All dimensions are in metric(mm). 2) Tolerances are as follows: 1 PL DEC ±0.30 2 PL DEC ±0.15 3 PL DEC ±0.08 Fractions ±1/64 Angles ±1° 3) Note reference =		SIGNATURES DRAWN: JONY XIE 2MAR18 CHECKED: ORION LI 2MAR18 ENGINEER: APPROVAL: TOMMY XIE 2MAR18	
MATERIAL SPECIFICATIONS:		CUSTOMER:	
PROCESS SPECIFICATIONS:		THIS DRAWING IS SUPPLIED FOR INFORMATION ONLY. DESIGN FEATURES, SPECIFICATIONS AND PERFORMANCE DATA SHOWN HEREON ARE THE PROPERTY OF THE AMPHENOL CORPORATION. NO RIGHTS OF REPRODUCTION ARE IMPLIED. ALL DIMENSIONS ARE SUBJECT TO NORMAL MANUFACTURING VARIATIONS.	
NEXT ASSY:		SIZE: B C-	TYPE: AT15-6PX-BMXX
		SCALE: NONE	REVISION: A2
		SHEET 1 OF 2	

Amphenol
 Sine Systems - www.amphenol-sine.com
 44724 Morley Drive
 Clinton Township, MI 48036

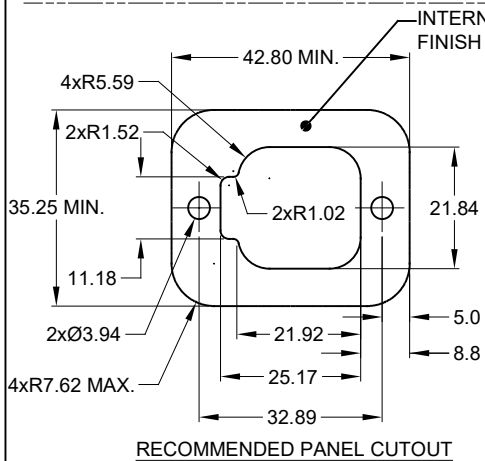
BOARDLOCK PCB MOUNT RECEPTACLE,
 6 PIN, STRAIGHT, AT SERIES

REVISIONS					
REV	ECO	DESCRIPTION	DATE	BY	APPR
01	--	RELEASE NEW DRAWING	2MAR18	JONY	TOMMY
A2	--	REVISED DRAWING	10JUL20	JHEAD	DH

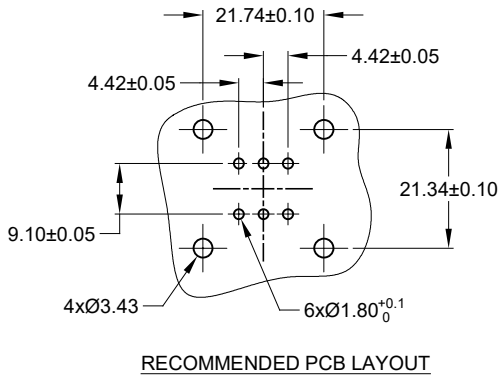


AT15-6P-BMXX VARIANTS		
CONTACT PLATING	POTTING OR NOT IN RESERVOIR	PART NUMBER
GOLD	NO POTTING	AT15-6P-BM01GRY
GOLD	POTTING	AT15-6P-BM02GRY
TIN	NO POTTING	AT15-6P-BM03GRY
TIN	POTTING	AT15-6P-BM04GRY

AT15-6P2-BMXX VARIANTS		
CONTACT PLATING	POTTING OR NOT IN RESERVOIR	PART NUMBER
GOLD	NO POTTING	AT15-6P2-BM01BLU
GOLD	POTTING	AT15-6P2-BM02BLU
TIN	NO POTTING	AT15-6P2-BM03BLU
TIN	POTTING	AT15-6P2-BM04BLU



INTERNAL SEALING SURFACE
FINISH TO BE 3.2 OR BETTER $\sqrt{10.13}$



AT15-6PX-BMXX		DESCRIPTION		ITEM										
QUANTITY	PART NUMBER													
MATERIALS LIST														
UNLESS OTHERWISE SPECIFIED: 1) All dimensions are in metric(mm). 2) Tolerances are as follows: 1 PL DEC ±0.30 2 PL DEC ±0.15 3 PL DEC ±0.08 Fractions ±1/64 Angles ±1°		<table border="1"> <thead> <tr> <th>SIGNATURES</th> <th>DATE</th> </tr> </thead> <tbody> <tr> <td>DRAWN: JONY XIE</td> <td>2MAR18</td> </tr> <tr> <td>CHECKED: ORON LI</td> <td>2MAR18</td> </tr> <tr> <td>ENGINEER:</td> <td></td> </tr> <tr> <td>APPROVAL: TOMMY XIE</td> <td>2MAR18</td> </tr> </tbody> </table>			SIGNATURES	DATE	DRAWN: JONY XIE	2MAR18	CHECKED: ORON LI	2MAR18	ENGINEER:		APPROVAL: TOMMY XIE	2MAR18
SIGNATURES	DATE													
DRAWN: JONY XIE	2MAR18													
CHECKED: ORON LI	2MAR18													
ENGINEER:														
APPROVAL: TOMMY XIE	2MAR18													
MATERIAL SPECIFICATIONS:		<p style="text-align: center;">Amphenol</p> <p style="text-align: center;">Sine Systems - www.amphenol-sine.com 44724 Morley Drive Clinton Township, MI 48036</p>												
PROCESS SPECIFICATIONS:		<p style="text-align: center;">BOARDLOCK PCB MOUNT RECEPTACLE, 6 PIN, STRAIGHT, AT SERIES</p>												
NEXT ASSY:		<table border="1"> <tr> <td>SIZE: B</td> <td>TYPE: C-</td> <td>DWG NO: AT15-6PX-BMXX</td> <td>REVISION: A2</td> </tr> <tr> <td colspan="2">SCALE: NONE</td> <td colspan="2">SHEET 2 OF 2</td> </tr> </table>			SIZE: B	TYPE: C-	DWG NO: AT15-6PX-BMXX	REVISION: A2	SCALE: NONE		SHEET 2 OF 2			
SIZE: B	TYPE: C-	DWG NO: AT15-6PX-BMXX	REVISION: A2											
SCALE: NONE		SHEET 2 OF 2												

TITLE: PCB MOUNT RECEPTACLE 6PIN STRAIGHT AT SERIES DWG NO: AT15-6PX-BMXX REV: A2 SH: 2 OF: 2

Mouser Electronics

Authorized Distributor

Click to View Pricing, Inventory, Delivery & Lifecycle Information:

[Amphenol:](#)

[AT15-6P2-BM02BLU](#)