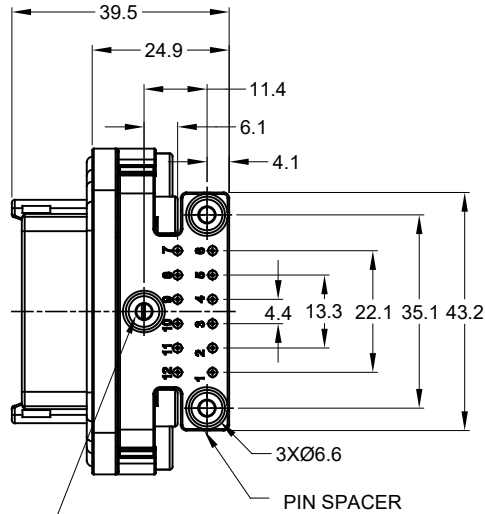
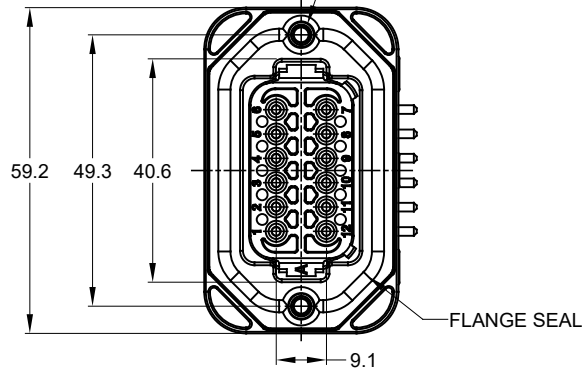


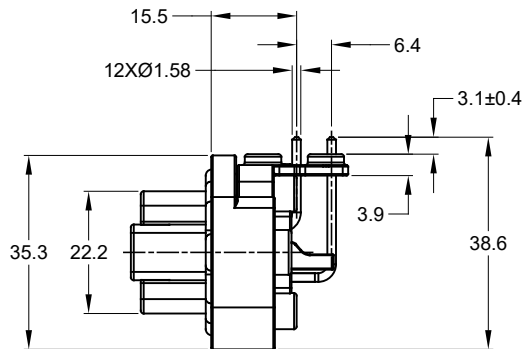
2xØ3.10±0.12x11.18 DP
 RECOMMENDED SCREW: 6-19 [M3.63 x 1.34]
 THREAD-FORMING SCREW,
 TORQUE: 11-15 IN-LB [1.24-1.70 NM]



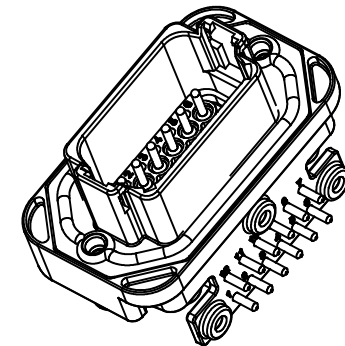
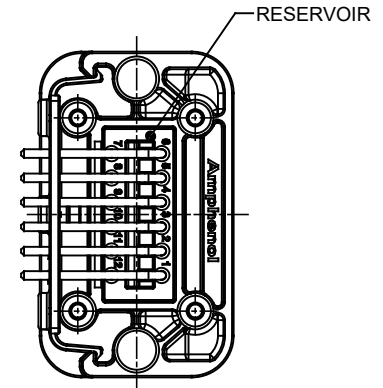
3xØ2.79±0.12
 RECOMMENDED SCREW: 4-20 [M3.12 x 1.27]
 THREAD-FORMING SCREW,
 TORQUE: 6-10 IN-LB [0.68-1.13 NM]

NOTES: UNLESS OTHERWISE SPECIFIED

- MATERIAL:
 HOUSING: THERMOPLASTIC
 SEAL: SILICONE RUBBER
 CONTACT: COPPER ALLOY
- MODIFICATIONS: FLANGE, PCB MOUNT, RIGHT ANGLE
- SPECIFICATIONS:
 - CURRENT RATING: 13 AMPS
 - OPERATING TEMPERATURE: -55°C TO +125°C
 - DIELECTRIC WITHSTANDING VOLTAGE: LESS THAN 2 MILLIAMPS CURRENT LEAKAGE @ 1500 VOLTS AC.
 - INSULATION RESISTANCE: 1000 MEGOHMS MIN @ 25°C.
 - MOISTURE RESISTANCE: IP67 (MATED CONDITION)
 - MATING CYCLE DURABILITY: 100 CYCLES
 - RoHS COMPLIANT
- MATING PART: AT06-12S* PLUG
 (* = MODIFICATIONS)
- ALL DIMENSIONS ARE FOR REFERENCE USE ONLY.
- POTTED CONNECTORS SPECIFIED FOR UP TO 5 P.S.I. APPLICATIONS.



REVISIONS					
REV	ECO	DESCRIPTION	DATE	BY	APPR
A1	--	RELEASE NEW DRAWING	19JUN18	JONY	TOMMY
A2	--	REVISED DRAWING	10JUL20	JHEAD	DH

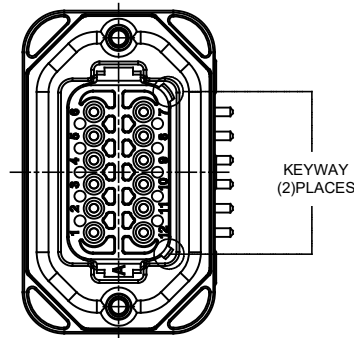


AT13-12PX-BMXX		REF: DT13-12PA, DT13-12PB, DT13-12PC, DT13-12PD, DT13-12PA-G003, DT13-12PB-G003, DT13-12PC-G003, DT13-12PD-G003		
PART NUMBER		DESCRIPTION		
QUANTITY	MATERIALS LIST			
UNLESS OTHERWISE SPECIFIED: 1) All dimensions are in metric (mm). 2) Tolerances are as follows: 1 PL DEC ±0.30 Fractions ±1/64 2 PL DEC ±0.15 Angles ±1° 3 PL DEC ±0.08	SIGNATURES	DATE	Amphenol Sine Systems - www.amphenol-sine.com 44724 Morley Drive Clinton Township, MI 48036 BOARDLOCK PCB MOUNT RECEPTACLE, 12 PIN, RA FLANGE, AT SERIES	
MATERIAL SPECIFICATIONS:	ENGINEER: ORIONLI	19JUN18		
PROCESS SPECIFICATIONS:	APPROVAL: TOMMY.XIE	19JUN18		
NEXT ASSY:	CUSTOMER:			
THIS DRAWING IS SUPPLIED FOR INFORMATION ONLY. DESIGN FEATURES, SPECIFICATIONS AND PERFORMANCE DATA SHOWN HEREON ARE THE PROPERTY OF THE AMPHENOL CORPORATION. NO RIGHTS OF REPRODUCTION ARE IMPLIED. ALL DIMENSIONS ARE SUBJECT TO NORMAL MANUFACTURING VARIATIONS.		SIZE: B	TYPE: C-	DWG NO: AT13-12PX-BMXX
		SCALE: NONE		REVISION: A2
		SHEET 1 OF 3		

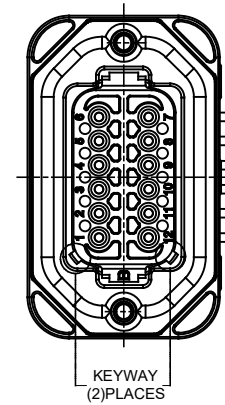
TITLE: PCB MOUNT RECEPTACLE, 12PIN, RA FLANGE, AT SERIES
 DWG NO: AT13-12PX-BMXX
 REV: A2
 SH: 1
 OF: 3

REVISIONS					
REV	ECO	DESCRIPTION	DATE	BY	APPR
A1	-	RELEASE NEW DRAWING	19JUN18	JONY	TOMMY
A2	-	REVISED DRAWING	10JUL20	JHEAD	DH

P/N AT13-12PA-BMXX
KEY-A CONFIGURATION
STANDARD COLOR: GREY



P/N AT13-12PB-BMXX
KEY-B CONFIGURATION
STANDARD COLOR: BLACK



AT13-12PA-BMXX VARIANTS		
CONTACT PLATING	POTTING OR NOT IN RESERVOIR	PART NUMBER
GOLD	NO POTTING	AT13-12PA-BM01
GOLD	POTTING	AT13-12PA-BM02
TIN	NO POTTING	AT13-12PA-BM03
TIN	POTTING	AT13-12PA-BM04

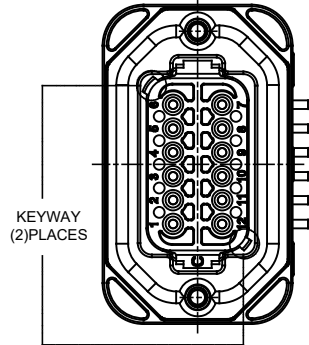
AT13-12PB-BMXX VARIANTS		
CONTACT PLATING	POTTING OR NOT IN RESERVOIR	PART NUMBER
GOLD	NO POTTING	AT13-12PB-BM01
GOLD	POTTING	AT13-12PB-BM02
TIN	NO POTTING	AT13-12PB-BM03
TIN	POTTING	AT13-12PB-BM04

QUANTITY	PART NUMBER	DESCRIPTION	ITEM
MATERIALS LIST			
<small>UNLESS OTHERWISE SPECIFIED</small> 1) All dimensions are in metric(mm). 2) Tolerances are as follows: 1 PL DEC ±0.30 2 PL DEC ±0.15 3 PL DEC ±0.08 Fractions ±1/64 Angles ±1° 3) Note reference =		SIGNATURES DATE DRAWN: JONY.XIE 19JUN18 CHECKED: ORION.LI 19JUN18 ENGINEER: APPROVAL: TOMMY.XIE 19JUN18	 Sine Systems - www.amphenol-sine.com 44724 Morley Drive Clinton Township, MI 48036
MATERIAL SPECIFICATIONS: PROCESS SPECIFICATIONS: NEXT ASSY:		CUSTOMER: THIS DRAWING IS SUPPLIED FOR INFORMATION ONLY. DESIGN FEATURES, SPECIFICATIONS AND PERFORMANCE DATA SHOWN HEREON ARE THE PROPERTY OF THE AMPHENOL CORPORATION. NO RIGHTS OF REPRODUCTION ARE IMPLIED. ALL DIMENSIONS ARE SUBJECT TO NORMAL MANUFACTURING VARIATIONS.	
SCALE: NONE		DWG NO: AT13-12PX-BMXX REVISION: A2	SHEET 2 OF 3

TITLE: PCB MOUNT RECEPTACLE 12PIN RA FLANGE AT SERIES
 DWG NO: AT13-12PX-BMXX
 REV: A2
 SH: 2
 OF: 3

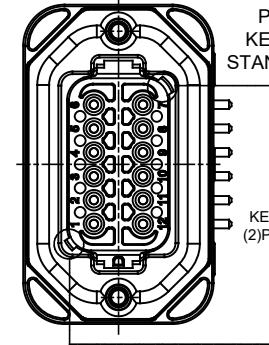
REVISIONS					
REV	ECO	DESCRIPTION	DATE	BY	APPR
A1	--	RELEASE NEW DRAWING	19JUN18	JONY	TOMMY
A2	--	REVISED DRAWING	10JUL20	JHEAD	DH

P/N AT13-12PC-BMXX
KEY-C CONFIGURATION
STANDARD COLOR: GREEN



KEYWAY
(2) PLACES

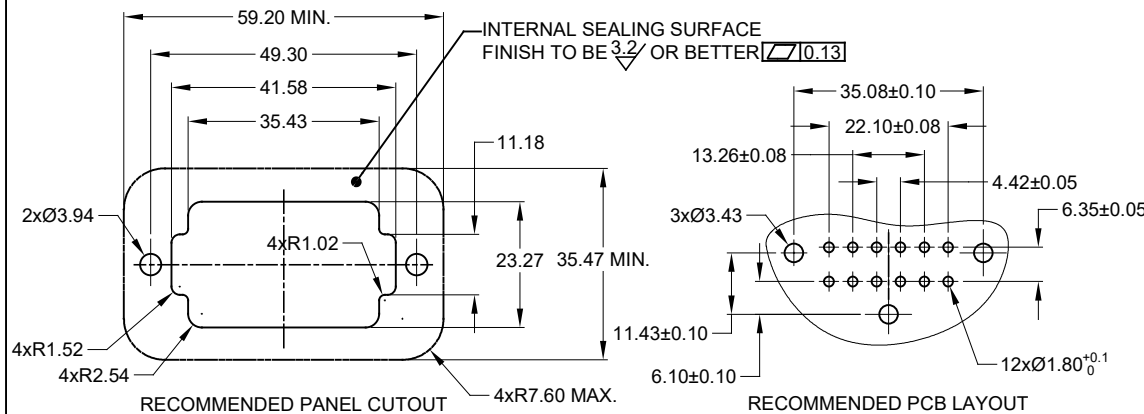
P/N AT13-12PD-BMXX
KEY-D CONFIGURATION
STANDARD COLOR: BROWN



KEYWAY
(2) PLACES

AT13-12PC-BMXX VARIANTS		
CONTACT PLATING	POTTING OR NOT IN RESERVOIR	PART NUMBER
GOLD	NO POTTING	AT13-12PC-BM01
GOLD	POTTING	AT13-12PC-BM02
TIN	NO POTTING	AT13-12PC-BM03
TIN	POTTING	AT13-12PC-BM04

AT13-12PD-BMXX VARIANTS		
CONTACT PLATING	POTTING OR NOT IN RESERVOIR	PART NUMBER
GOLD	NO POTTING	AT13-12PD-BM01
GOLD	POTTING	AT13-12PD-BM02
TIN	NO POTTING	AT13-12PD-BM03
TIN	POTTING	AT13-12PD-BM04



AT13-12PX-BMXX		DESCRIPTION		ITEM
QUANTITY	PART NUMBER	MATERIALS LIST		
UNLESS OTHERWISE SPECIFIED: 1) All dimensions are in metric(mm) 2) Tolerances are as follows: 1 PL DEC ±0.30 Fractions ±1/64 2 PL DEC ±0.15 Angles ±1° 3 PL DEC ±0.08 3) Note reference = Δ		SIGNATURES	DATE	Amphenol Sine Systems - www.amphenol-sine.com 44724 Morley Drive Clinton Township, MI 48036 BOARDLOCK, PCB MOUNT RECEPTACLE, 12 PIN, RA FLANGE, AT SERIES
MATERIAL SPECIFICATIONS:		DRAWN: JONY XIE	19JUN18	
PROCESS SPECIFICATIONS:		CHECKED: ORION LI	19JUN18	
NEXT ASSY:		ENGINEER: TOMMY XIE	19JUN18	
CUSTOMER:		APPROVAL: TOMMY XIE	19JUN18	SIZE: B TYPE: C DWG NO: AT13-12PX-BMXX SCALE: NONE
THIS DRAWING IS SUPPLIED FOR INFORMATION ONLY. DESIGN FEATURES, SPECIFICATIONS AND PERFORMANCE DATA SHOWN HEREON ARE THE PROPERTY OF THE AMPHENOL CORPORATION. NO RIGHTS OF REPRODUCTION ARE IMPLIED. ALL DIMENSIONS ARE SUBJECT TO NORMAL MANUFACTURING VARIATIONS.				REVISION: A2 SHEET 3 OF 3

TITLE: PCB MOUNT RECEPTACLE (2PIN) RA FLANGE AT SERIES
DWG NO.: AT13-12PX-BMXX
REV: A2
SH: 3
OF: 3

Mouser Electronics

Authorized Distributor

Click to View Pricing, Inventory, Delivery & Lifecycle Information:

[Amphenol:](#)

[AT13-12PD-BM01](#)