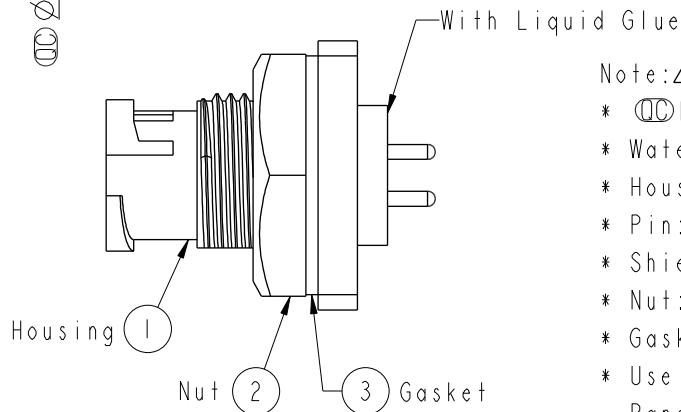
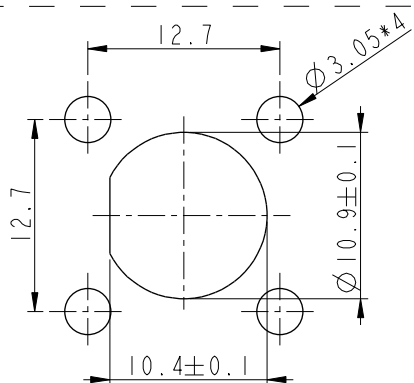
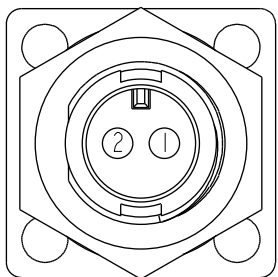
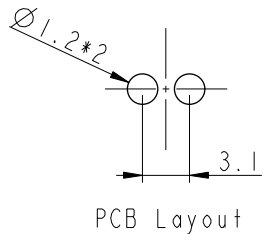
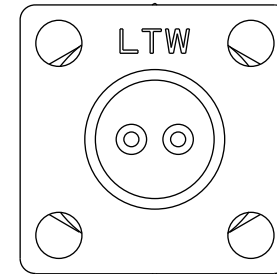
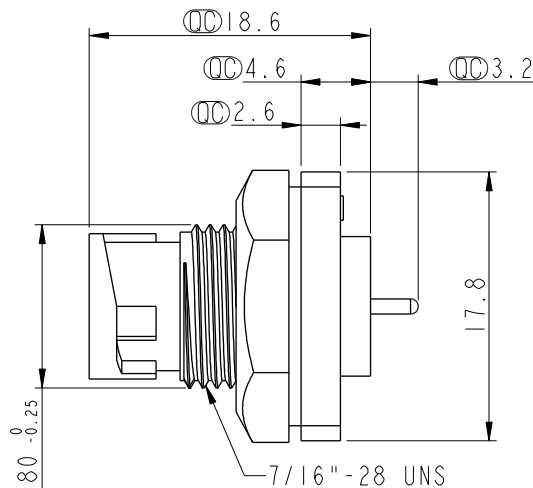
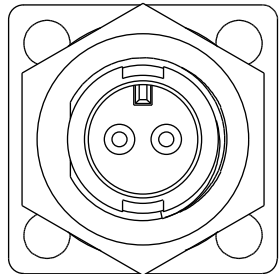


ALTW  
 CONFIDENTIAL  
 2019-03-05  
 R&D DEPT.

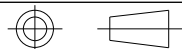
REV.	ECN NO.	DATE	SIGN	DESCRIPTION
B	C190268	2019/03/05	Ruru	Modify Note



Note:  $\triangle B$

- \*  $\text{⌀}$  Important Dimension.
- \* Waterproof Rate: IP67, Unmated
- \* Housing: Thermoplastic, Black
- \* Pin: Copper Alloy, Gold Plated
- \* Shield: Metal, Nickel Plated
- \* Nut: Metal, Nickel Plated
- \* Gasket: Rubber, Black
- \* Use with waterproof cap or dust cap  
Panel Thickness Max. 2.5mm.
- \* Use without waterproof cap or dust cap  
Panel Thickness Max. 3.5mm.
- \* Gasket and Nut are packed separately  
in PE bags.

UNIT:mm



TITLE Mini Panel Lock 2Pin M Conn. M Pin			
SCALE 2:1	SIZE A4	SHEET 1 OF 1	
REV. B	WC-REV. A.1	$\text{⌀}$ : Inspection item	

**Amphenol LTW**  
 安費諾亮泰企業股份有限公司

ITEM NO ASD-02PMMP-LS7002	DRAWN BY Ruru	DATE 2019-03-05
DWG NO ASD-02PMMP-LS7002	CHECKED BY Rita	DATE 2019-03-05
CUSTOMER ALTW	APPROVED BY Max	DATE 2019-03-05

THIS DOCUMENT IS SUBJECT TO CHANGE WITHOUT NOTICE. IT IS CONFIDENTIAL AND A PROPERTY OF AMPHENOL LTW. DISCLOSURE TO THIRD PARTY HAS TO BE AUTHORIZED BY AMPHENOL LTW.

# Mouser Electronics

Authorized Distributor

Click to View Pricing, Inventory, Delivery & Lifecycle Information:

[Amphenol:](#)

[ASD-02PMMP-LS7002](#)