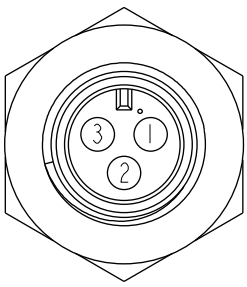
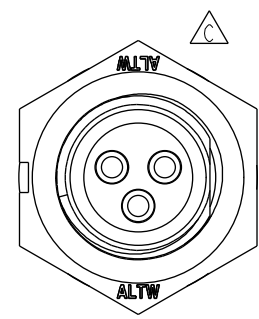
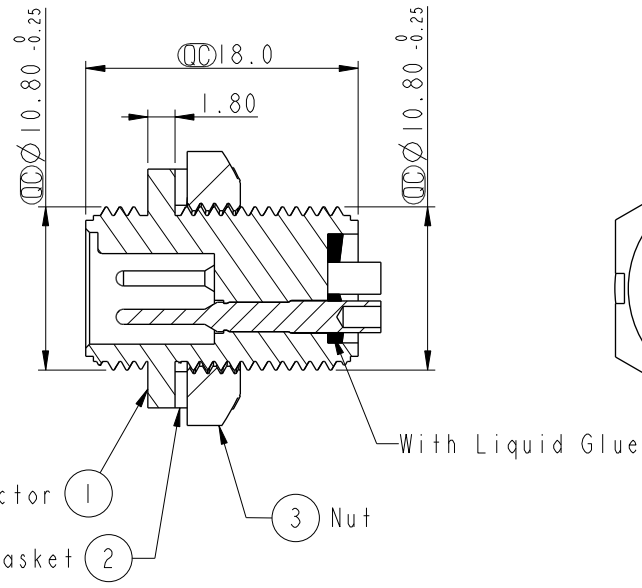
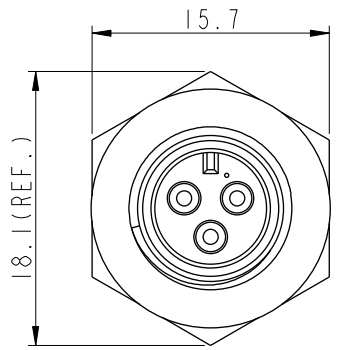
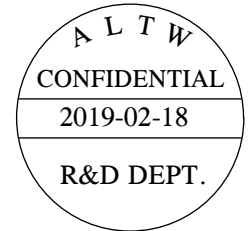
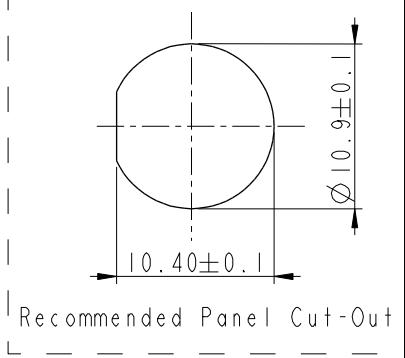
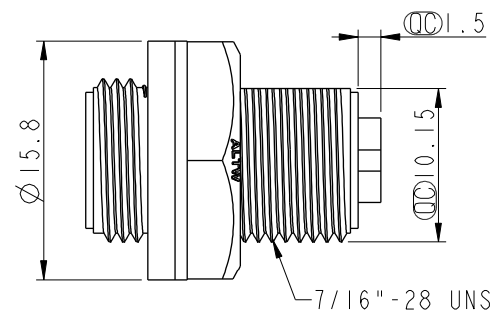


REV.	ECN NO.	DATE	SIGN	DESCRIPTION
B	LEN-8A0160	2008/09/10	Shin	Add Note
C	LEN1741229	2017/04/13	Ruru	Change Logo
D	CI90268	2019/02/18	Ruru	Modify Note



Pin Assignments
Front View



- Note: \triangle
- * CC Important Dimension.
 - * Waterproof Rate: IP67, Unmated
 - * Housing: Thermoplastic, Black
 - * Pin: Copper Alloy, Gold Plated
 - * Nut: Thermoplastic, Black
 - * Gasket: Rubber, Black
 - * Liquid Glue: Clear
 - $\triangle B$ * Use with waterproof cap or dust cap
Panel Thickness Max: 4.0mm
 - $\triangle B$ * Use without waterproof cap or dust cap
Panel Thickness Max: 5.0mm
 - * Gasket and Nut are packed separately in PE bags.

UNIT: mm		
TOLERANCE	.X ±0.25	
	.XX ±0.1	
	.XXX ±0.05	
ANGLES	±1°	

TITLE Mini Panel Screw 3Pin M Conn. M Pin			
SCALE 2:1	SIZE A4	SHEET 1 OF 1	
REV. D	WC-REV. A.2	CC : Inspection item	

Amphenol LTW
安費諾亮泰企業股份有限公司

ITEM NO. AD-03RMMS-SC7001	DRAWN BY Ruru	DATE 2019-02-18
DWG NO. AD-03RMMS-SC7001	CHECKED BY Rita	DATE 2019-02-18
CUSTOMER ALTW	APPROVED BY Max	DATE 2019-02-18

THIS DOCUMENT IS SUBJECT TO CHANGE WITHOUT NOTICE. IT IS CONFIDENTIAL AND A PROPERTY OF Amphenol LTW. DISCLOSURE TO THIRD PARTY HAS TO BE AUTHORIZED BY Amphenol LTW.

Mouser Electronics

Authorized Distributor

Click to View Pricing, Inventory, Delivery & Lifecycle Information:

[Amphenol:](#)

[1AD-03RMMS-SC7001](#)