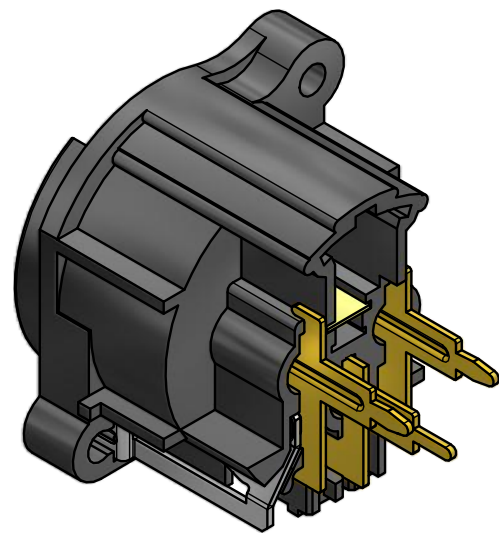
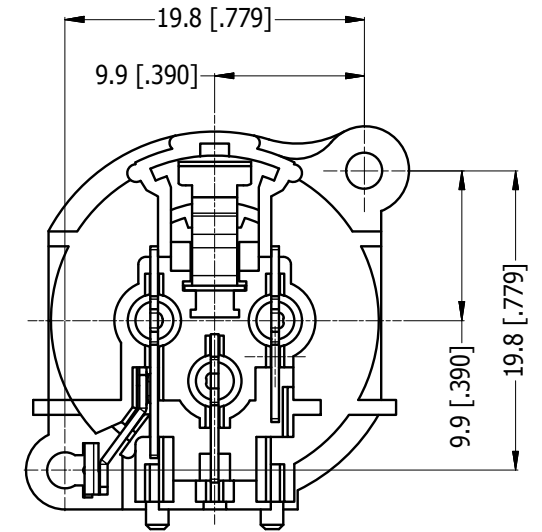
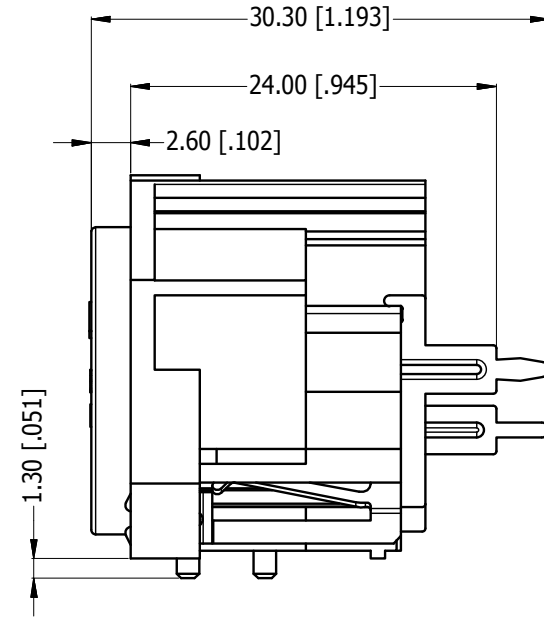
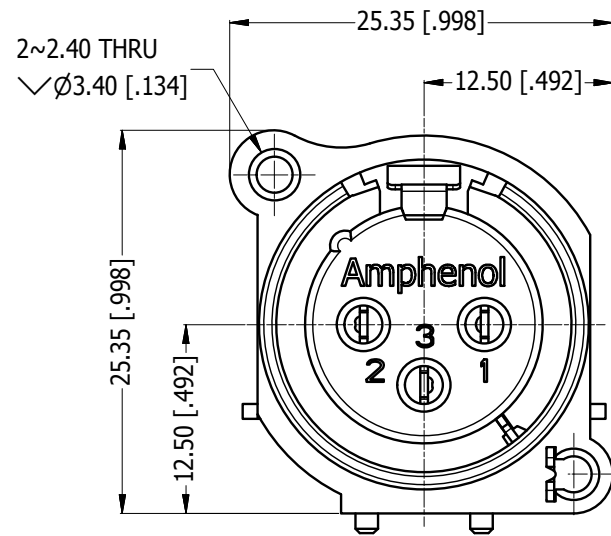
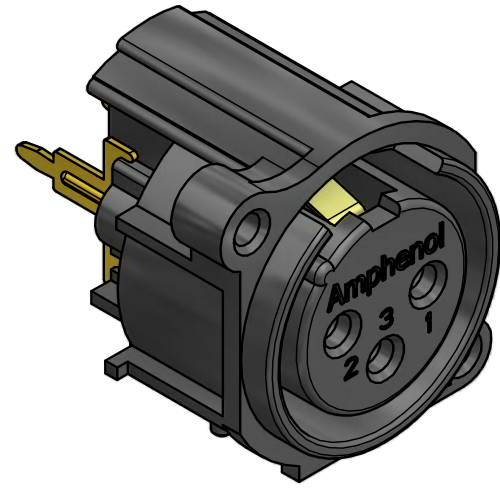
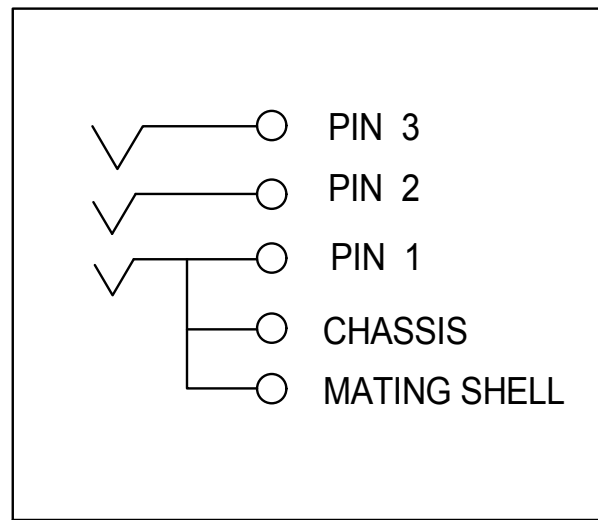


LEGEND = KEY PRODUCT CHARACTERISTICS

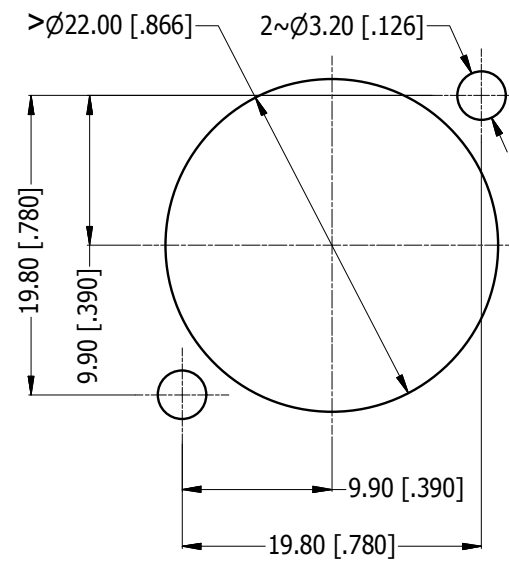
REVISION HISTORY				
REV	DESCRIPTION	DATE	BY	CHG/No
0	FIRST ISSUE	08/10/2014	MH	---



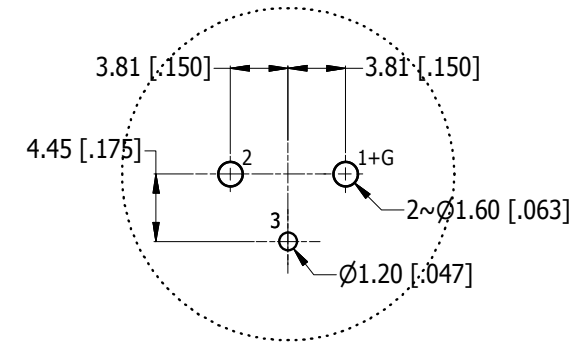
ISO VIEW



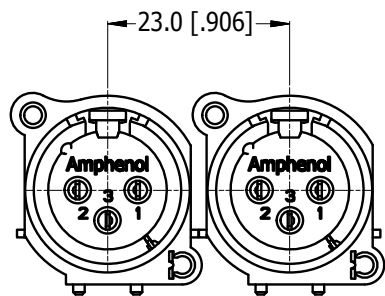
SCHEMATIC CHART



PANEL CUT OUT  
REAR VIEW



PCB-LAYOUT  
COMPONENT SIDE  
TOLERANCE:  $\pm 0.05\text{mm}$  [.002"]



MIN MOUNTING PITCH  
SCALE 1:1

UNLESS OTHERWISE SPECIFIED TOLERANCE TO BE		THIS DOCUMENT IS THE PROPERTY OF AMPHENOL AUSTRALIA PTY. LTD. NO PART THEREOF MAY BE REPRODUCED AND USED WITHOUT THE PRIOR WRITTEN CONSENT OF THE OWNER				<b>Amphenol</b> Amphenol Australia Pty.Ltd, 22 Industry Blvd, Carrum Downs, VIC 3201	
LINEAR	ANGULAR	MATERIAL: REFER TO COMPONENT	DRN: MH	DATE: 08/10/2014	TITLE: AC3FAVL1-AU-PRE VERTICAL FEMALE CUSTOMER DRAWING	PART No: AC3FAVL1-AU-PRE	
X $\pm 0.5$	X' $\pm 1$	BREAK ALL SHARP EDGES AND REMOVE ALL BURRS	CKD: M.H	DATE: 08/10/2014	DRAWING NO. 55011040-000-2		
X.X $\pm 0.2$	X.X' $\pm 30'$	DO NOT SCALE	APP'D: P.M	DATE: 08/10/2014	SHEET 2/2		
X.XX $\pm 0.1$	X.XX' $\pm 15'$	DIMENSIONS IN MILLIMETRES		SCALE: 2:1	SIZE: A3	CAD FILE 55011040000220	

# Mouser Electronics

Authorized Distributor

Click to View Pricing, Inventory, Delivery & Lifecycle Information:

[Amphenol:](#)

[AC3FAVL1-AU-B](#) [AC3FAVL1-AU-PRE](#)