

BASIC PART NUMBER: 83808- X X X X X X X

CARD TYPE: I  
CARD TYPE: II

I/O: CLOSED WITH GROUND CONTACT  
I/O: 1 CONNECTOR  
I/O: 2 CONNECTORS

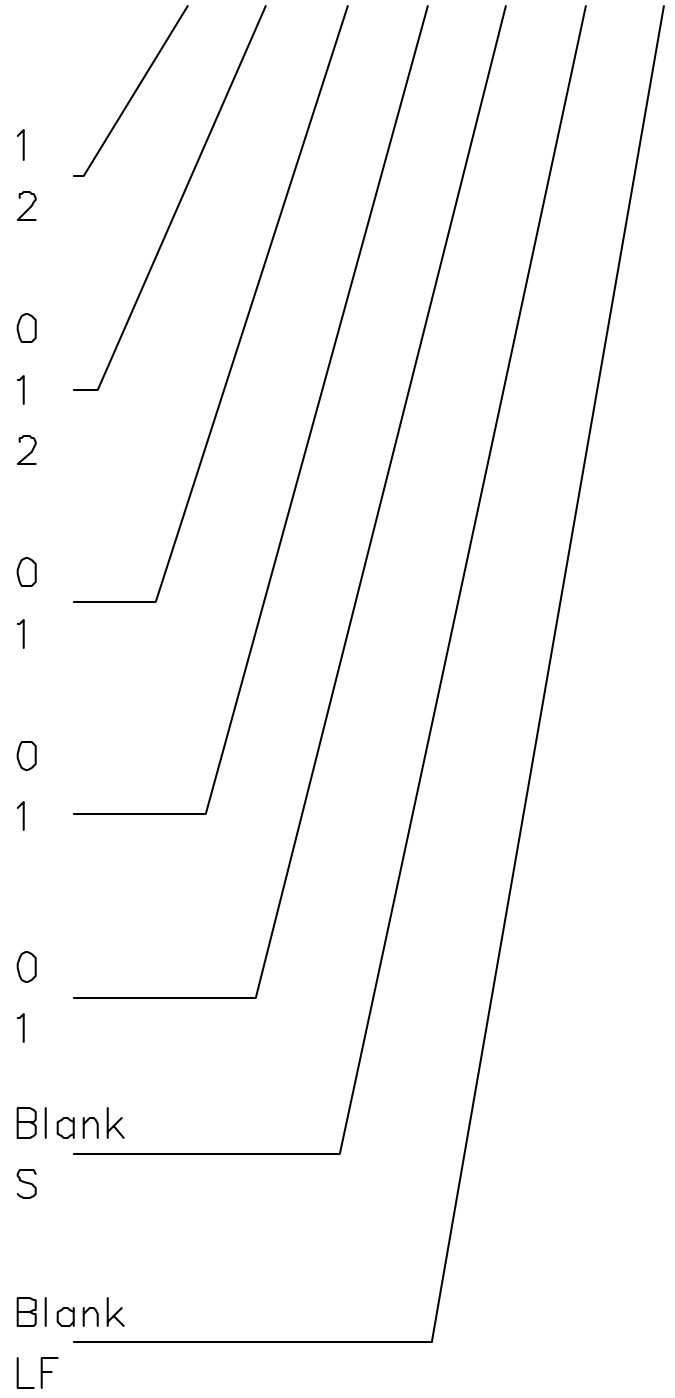
LABEL RECESS: NO  
LABEL RECESS: YES

INSULATOR: NO  
INSULATOR: YES

CARDBUS: NO  
CARDBUS: YES

PACKAGING: 1000Pcs/BOX  
PACKAGING: 200Pcs/BOX

ALL PART NUMBER: RoHS COMPLIANT SPECIFICATION



83808-XXXXXX IS SIMILAR TO 83808-XXXXXXLF, THE SUFFIX "LF" IS ADDED FOR LEAD FREE IDENTIFICATION  
THIS PRODUCT MEETS EUROPEAN UNION DIRECTIVES AND OTHER COUNTRY REGULATIONS AS PER GS-22-008. PACKAGING SPECIFICATION GS-14-920

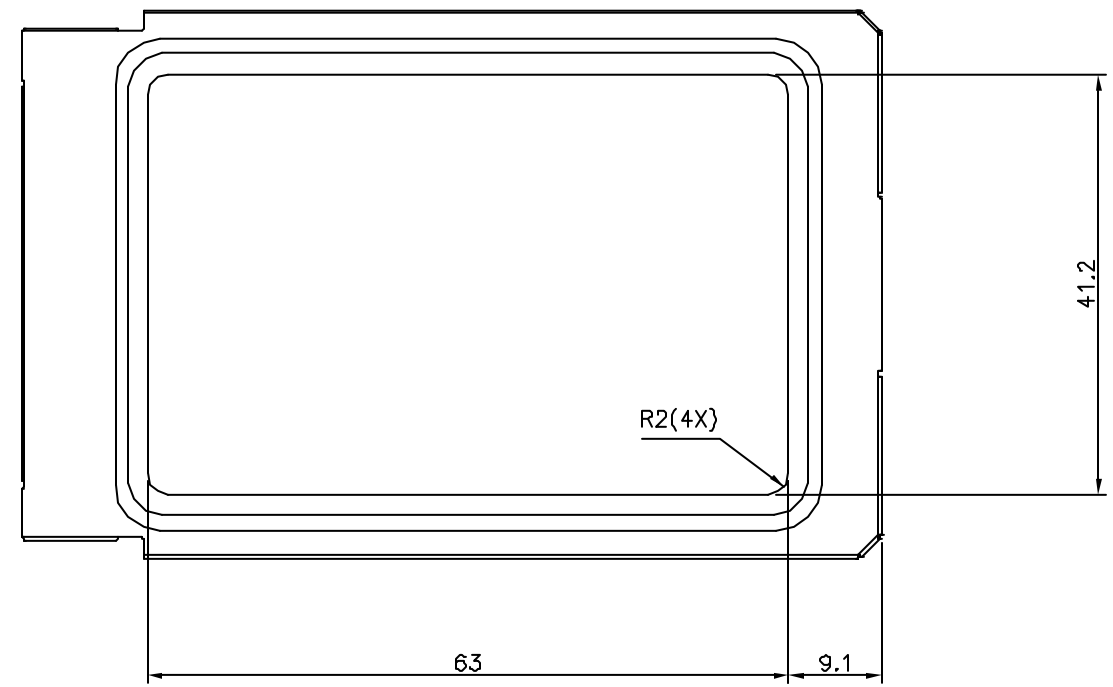
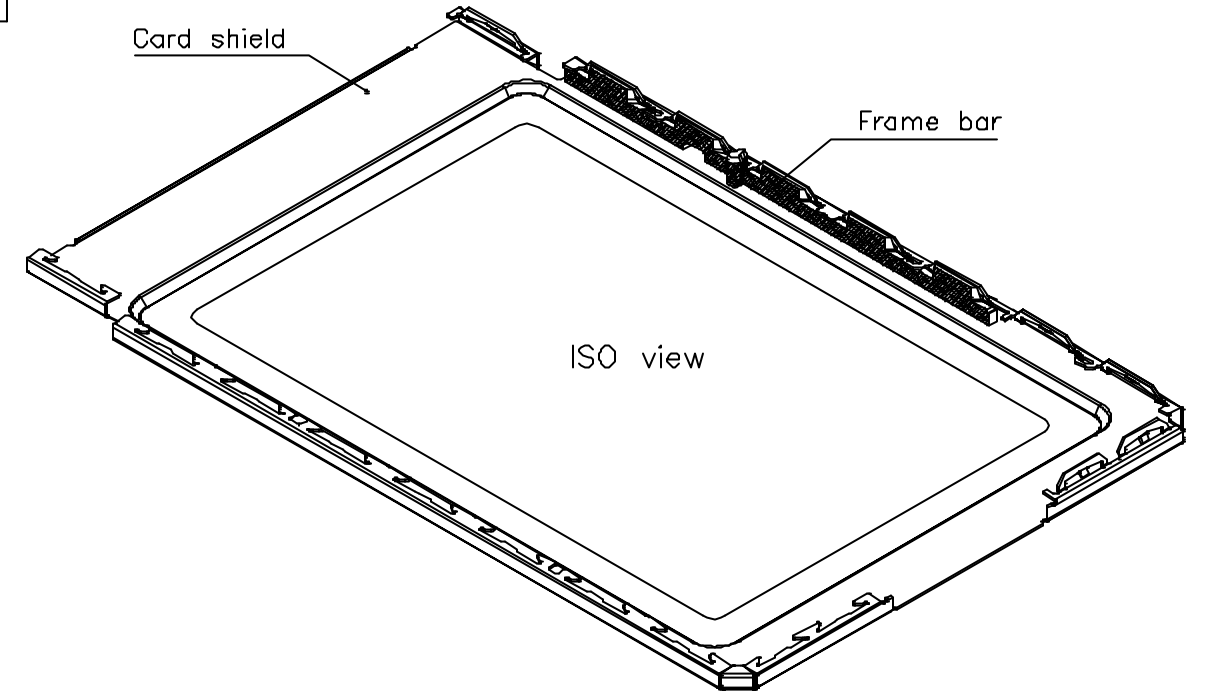
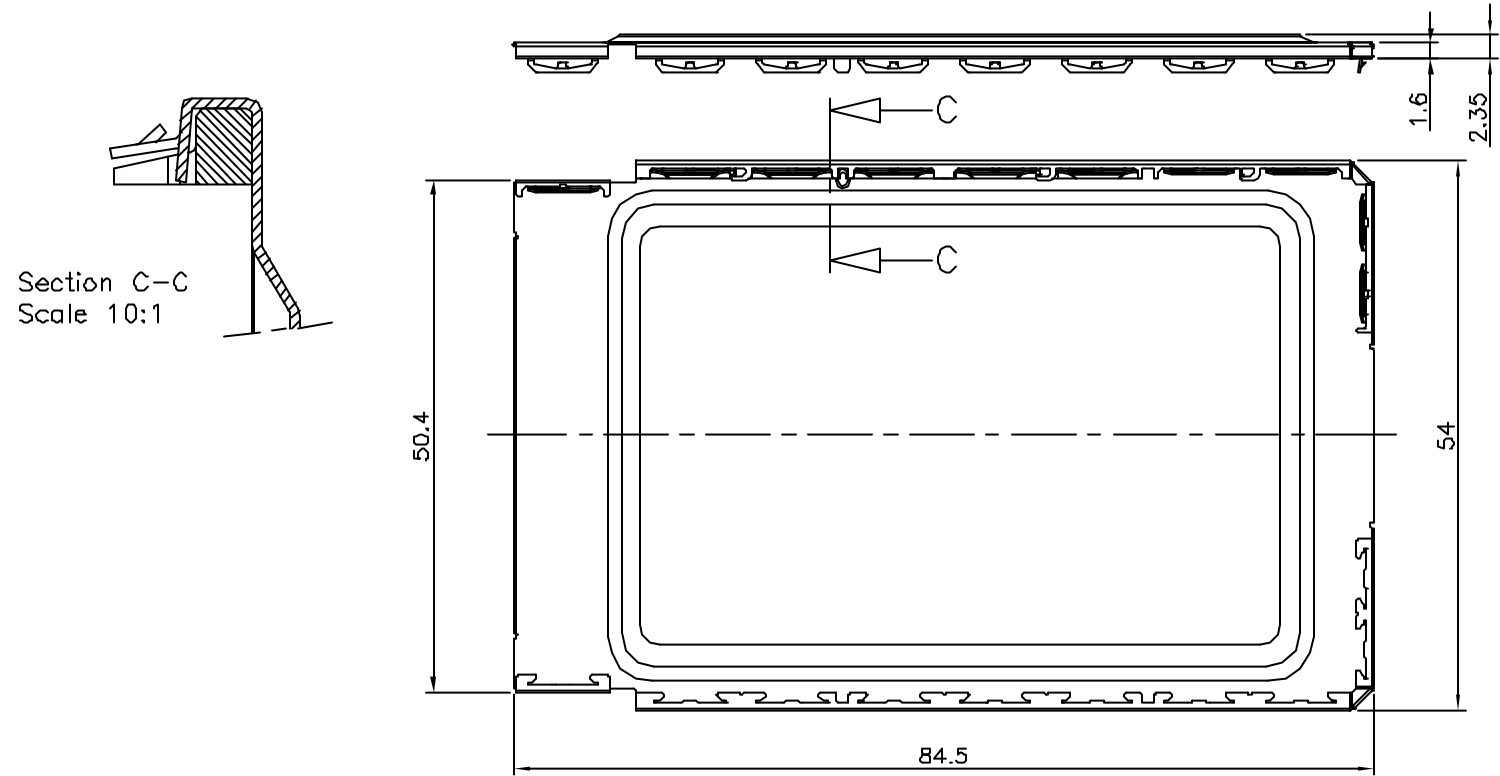
PROPERTIES:

CARD SHIELD: STAINLESS STEEL, THICKNESS 0.2mm  
SURFACE FINISH: MATTE  
FRAME BAR: PPO, COLOR BLACK, UL94V-0  
INSULATOR: DIELECTRIC STRENGTH 2500V

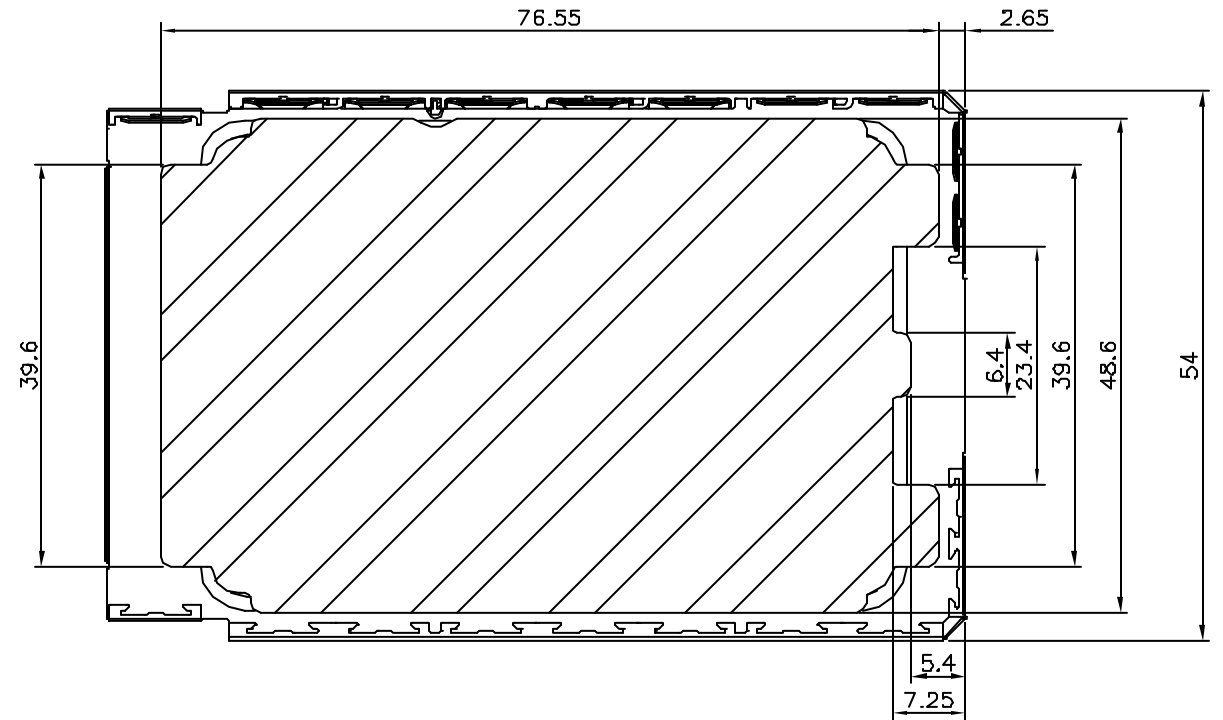
mat'l. code				surface <input checked="" type="checkbox"/> ISO 1302		tolerance <input checked="" type="checkbox"/> ISO 406 <input type="checkbox"/> ISO 1101				projection		product family PCMCIA					
Ltr	ecn no	dr	date	tolerances unless otherwise specified								title ROCARD SHIELD					
H	F10514	DLE	01.09.07	angles		linear						mm					
J	F05-0254	DLE	05.09.26									scale 1:1					
K	F06-0138	DLE	06.02.27	dr	D LEGRAND		01.09.07				dwg no		sheet 1 of 10		size		
L	F06-0138	DLE	06.02.27	enr	F HAUTIER		99.04.29				83808		A4				
M	F06-0248	DLE	06.07.28	chr	D LEGRAND		99.04.29				type		CUSTOMER Drawing				
G	F00439	DLE	00.06.19	app	F HAUTIER		99.04.29										
sheet index		revision sheet		M	G	G	G	G	F	F	F	F					
				1	2	3	4	5	6	7	8	9	10				

Product number	Insulator	Label recess
83808-21000LF	no	no
83808-21010LF	yes	no
83808-21100LF	no	yes
83808-21110LF	yes	yes

Product number	Packaging
83808-xxxxxLF	1000 Rocard Shield/Box
83808-xxxxxSLF	200 Rocard Shield/Box



Version: Label recess  
(maximum label thickness 0.07 mm)



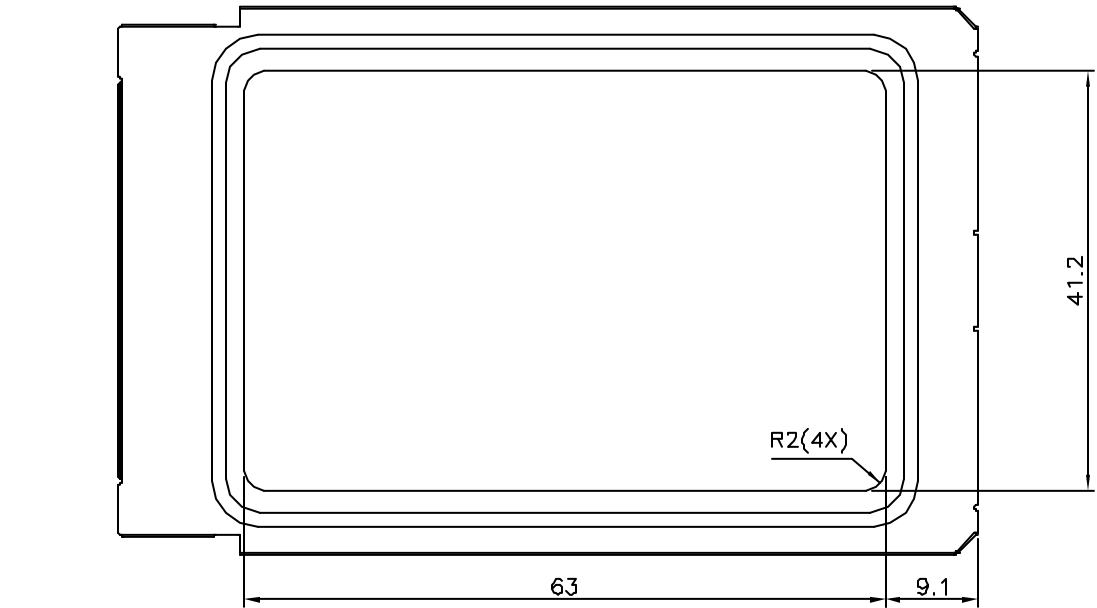
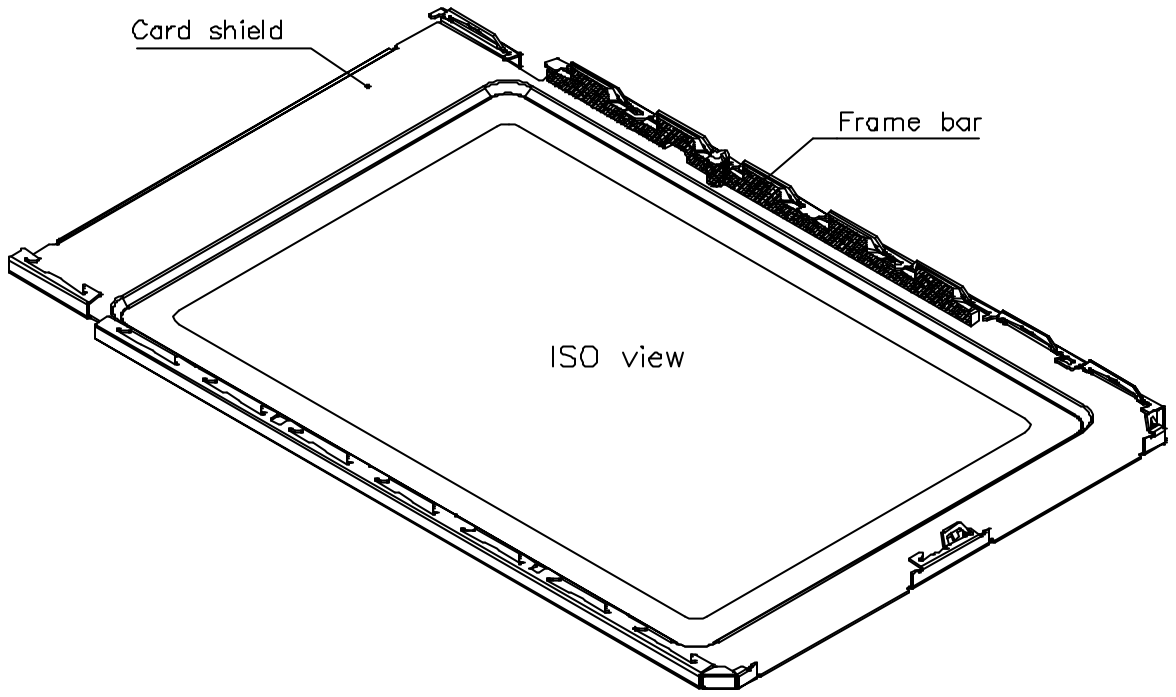
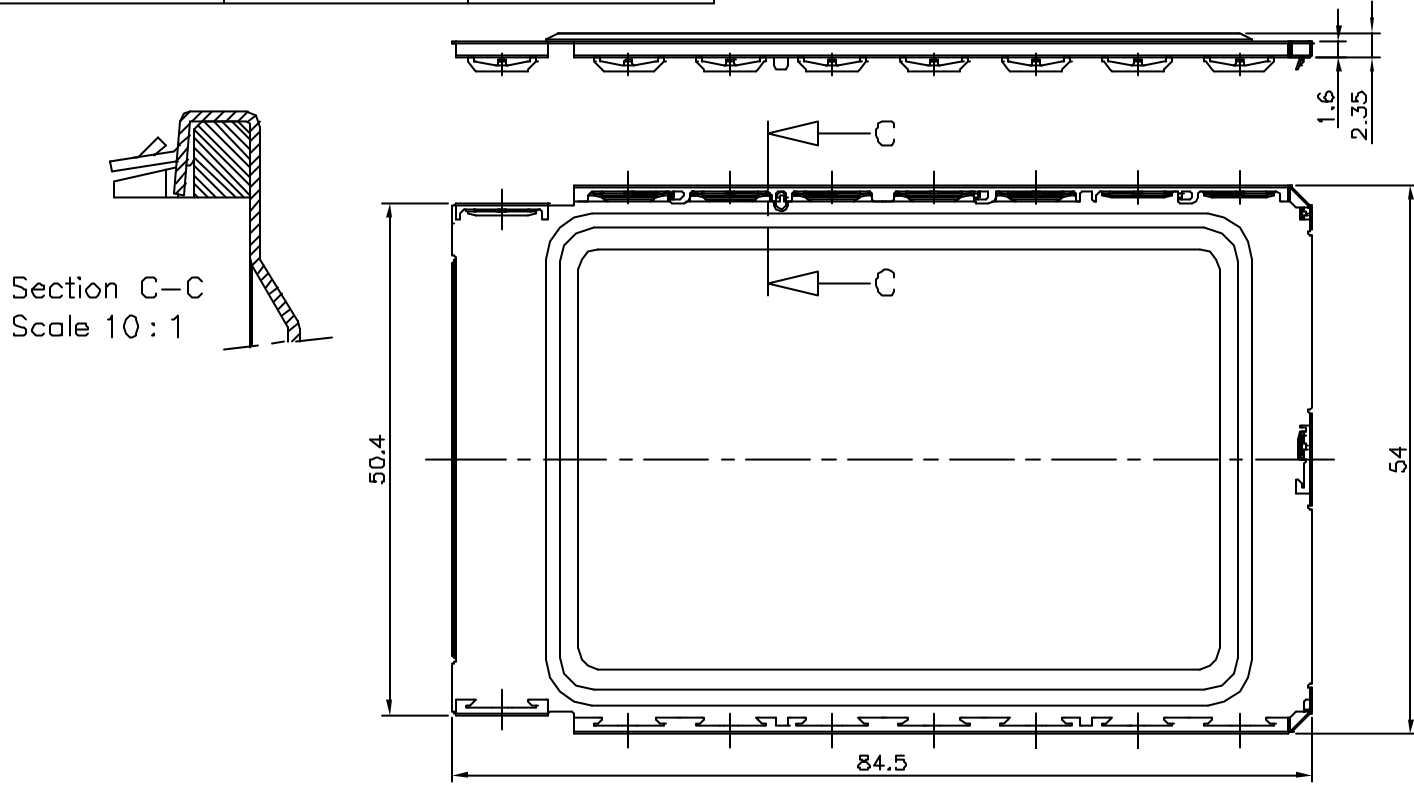
Version: Insulator  
(thickness 0.07 mm)

lfr	ecr	no	dr	date	surface	tolerance	projection	product family
A	H80049	GCA	98.02.12		ISO 1302	ISO 416 ISO 1101	mm	PCMCIA
B	F80195	GCA	98.04.08		tolerances unless otherwise specified			title
C	F80323	DLE	99.05.04		angles	linear	scale 2:1	ROCARD SHIELD TYPE II, 1x1/0
D	F10514	DLE	01.08.07	dr	H VEREUKEN	98.02.12		sheet 2 of - size
E	F05-0254	DLE	05.09.26	engr	F HAUTIER	99.05.04		83808 Az
F	F08-0138	DLE	06.02.27	chr	D LEGRAND	99.05.04		type
G	F06-0248	DLE	06.07.28	app	F HAUTIER	99.05.04		CUSTOMER Drawing
sheet index	revision	sheet						

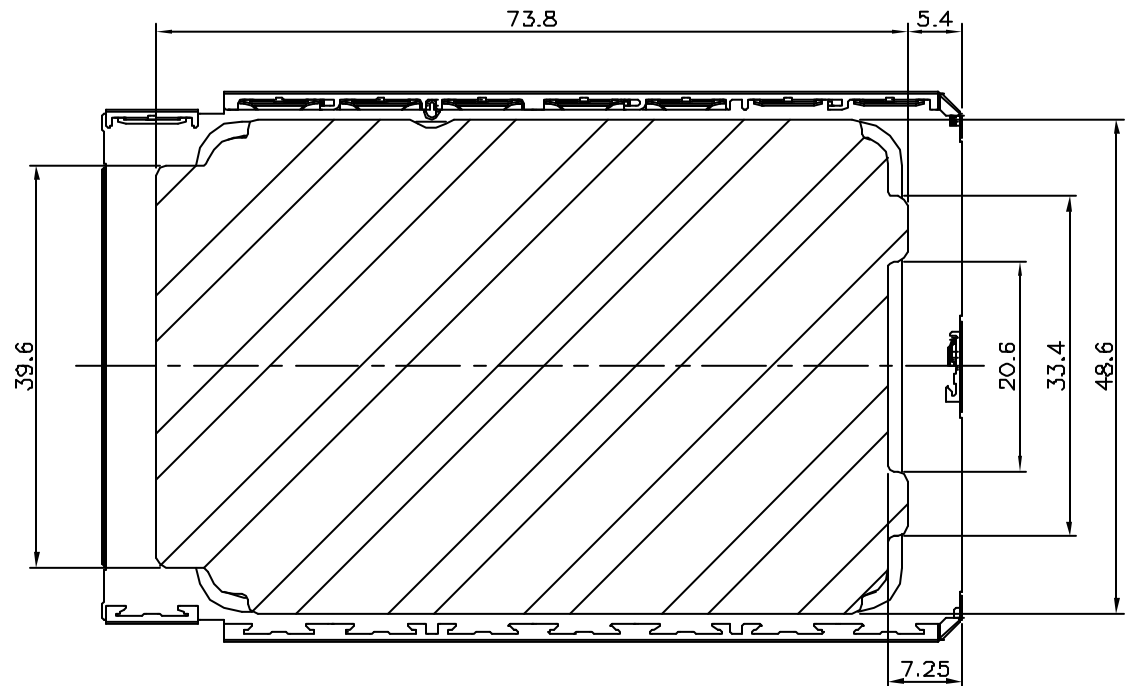
Copyright FCI  
FCIconnect.com

Product number	Insulator	Label recess
83808-22000LF	no	no
83808-22010LF	yes	no
83808-22100LF	no	yes
83808-22110LF	yes	yes

Product number	Packaging
83808-xxxxxLF	1000 Rocard Shield/Box
83808-xxxxxSLF	200 Rocard Shield/Box



Version: Label recess  
(maximum label thickness 0.07 mm)



Version: Insulator  
(thickness 0.07 mm)

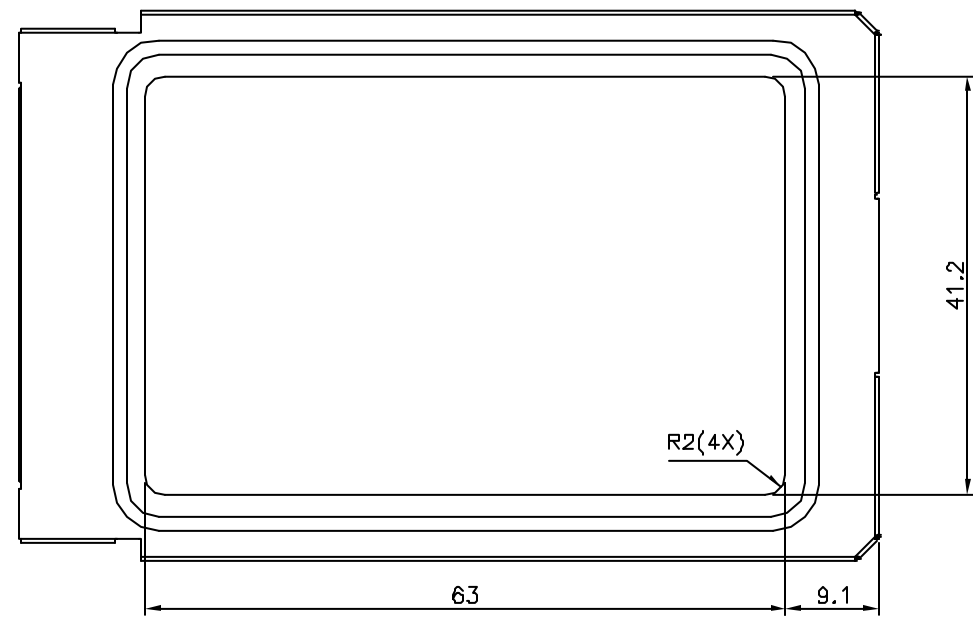
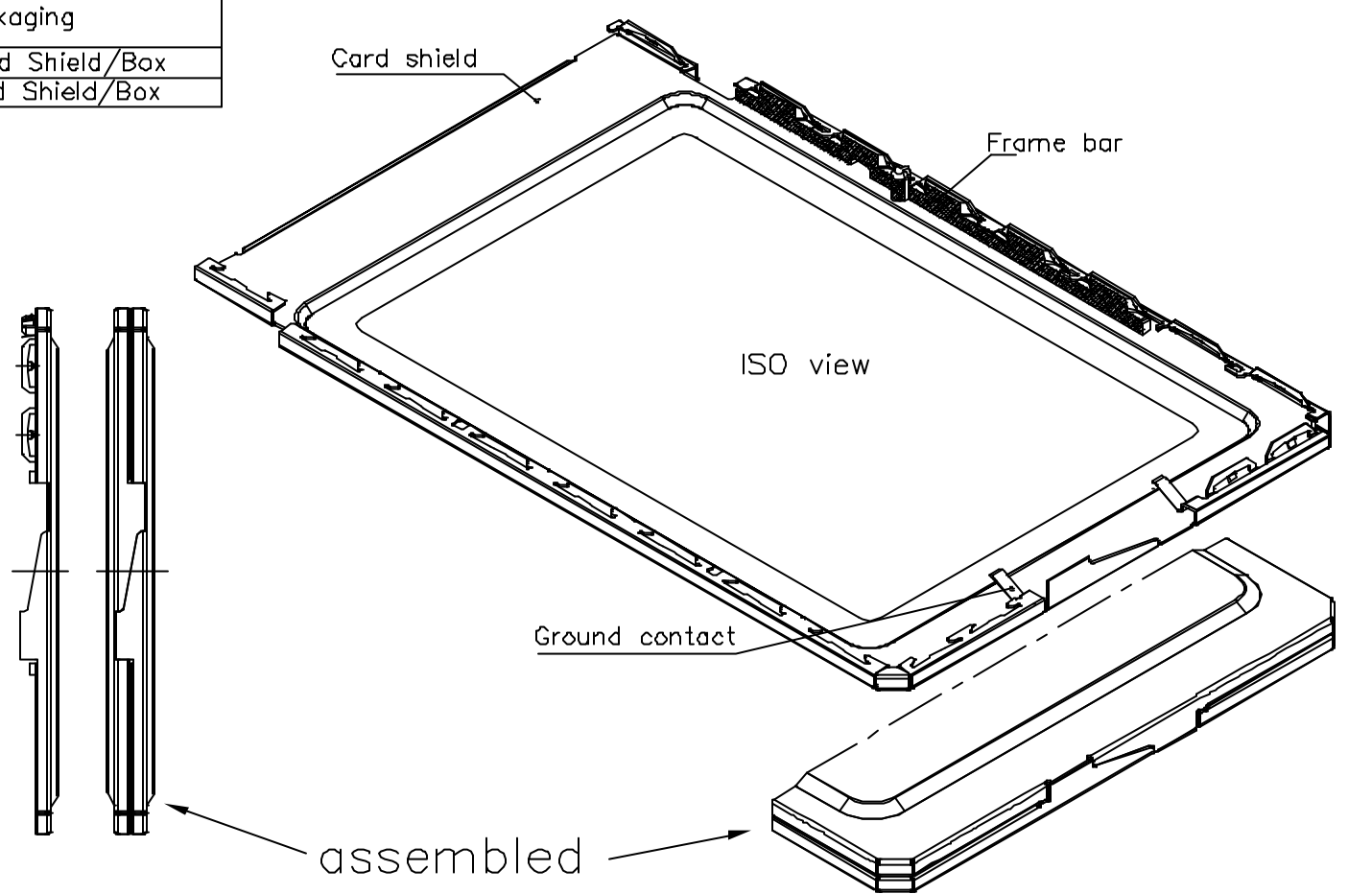
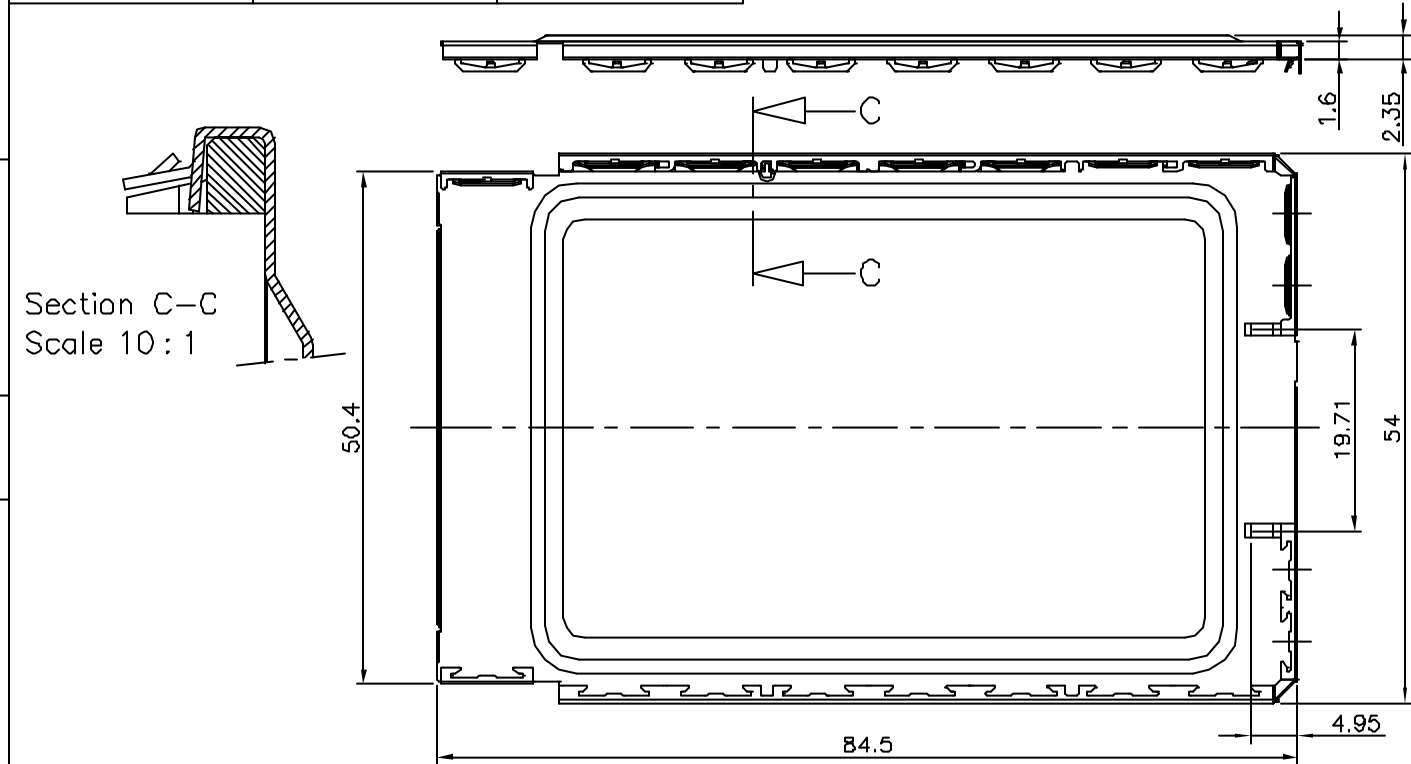
lfr	ecr	no	dr	date	surface	tolerance	projection	product family
A	H80049	GCA		98.02.12	ISO 1302	ISO 416 ISO 1101	mm	PCMCIA
B	F80195	GCA		98.04.08	tolerance unless otherwise specified			title
C	F80323	DLE		99.05.04	angles	linear	scale 2:1	ROCARD SHIELD TYPE II, 2x1/0
D	F10514	DLE	01.08.07	dr	H VEREUKEN	98.02.12		sheet 3 of -
E	F05-0254	DLE	05.09.26	enfr	F HAUTIER	99.05.04		83808
F	F08-0138	DLE	06.02.27	chr	D LEGRAND	99.05.04		Az
G	F06-0248	DLE	06.07.28	app	F HAUTIER	99.05.04		type
sheet	revision							CUSTOMER Drawing
index	sheet							



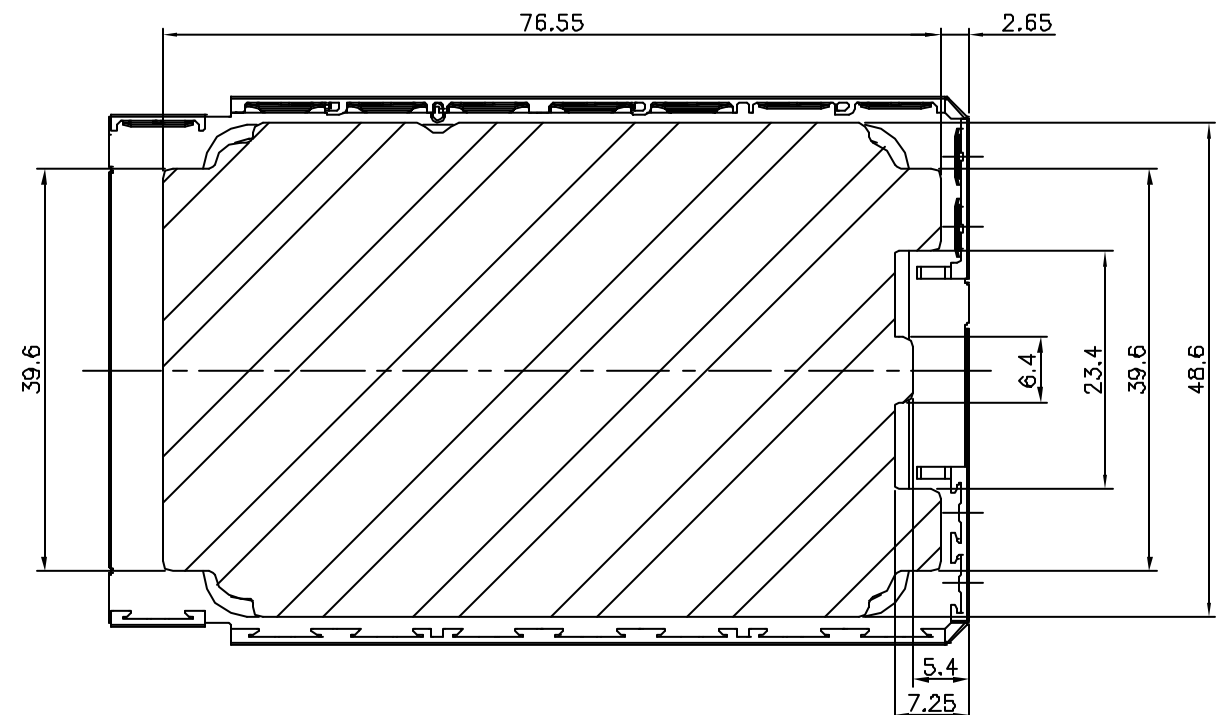
Copyright FCI

Product number	Insulator	Label recess
83808-2000OLF	no	no
83808-2001OLF	yes	no
83808-2010OLF	no	yes
83808-2011OLF	yes	yes

Product number	Packaging
83808-xxxxxLF	1000 Rocard Shield/Box
83808-xxxxxSLF	200 Rocard Shield/Box



Version: Label recess  
(maximum label thickness 0.07 mm)

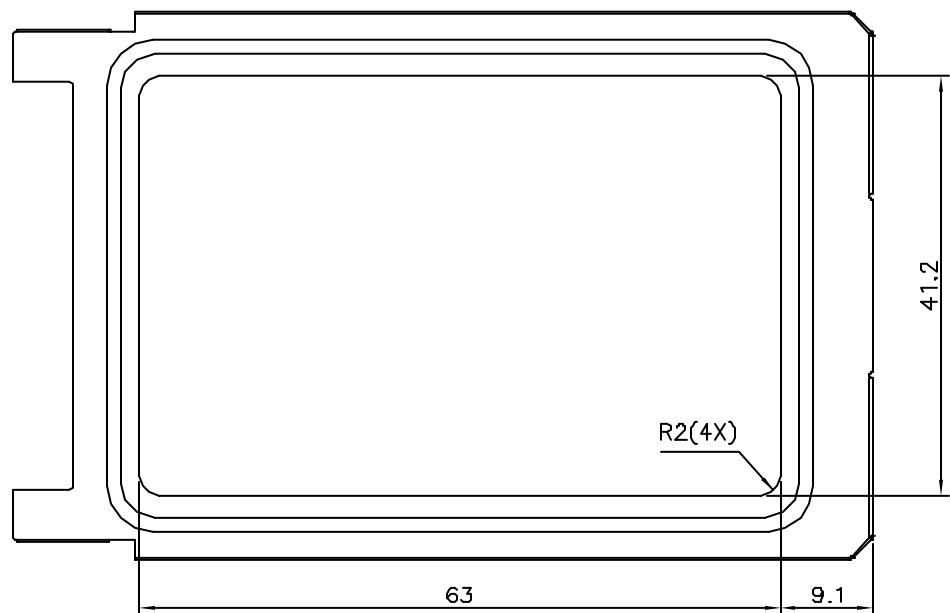
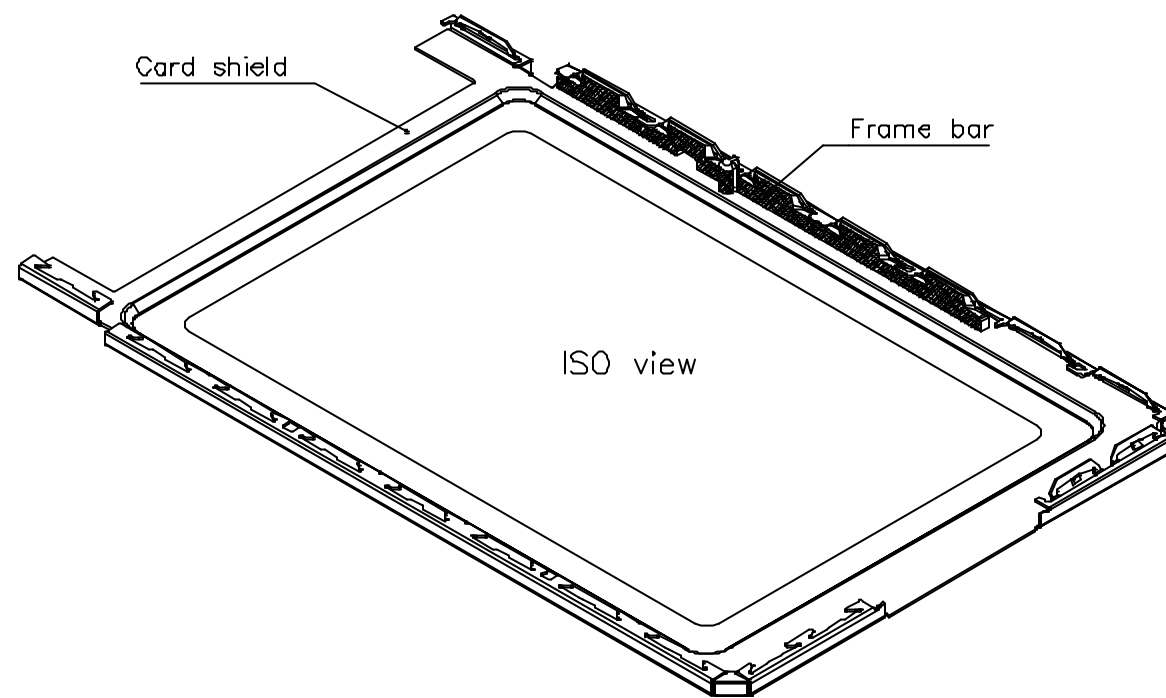
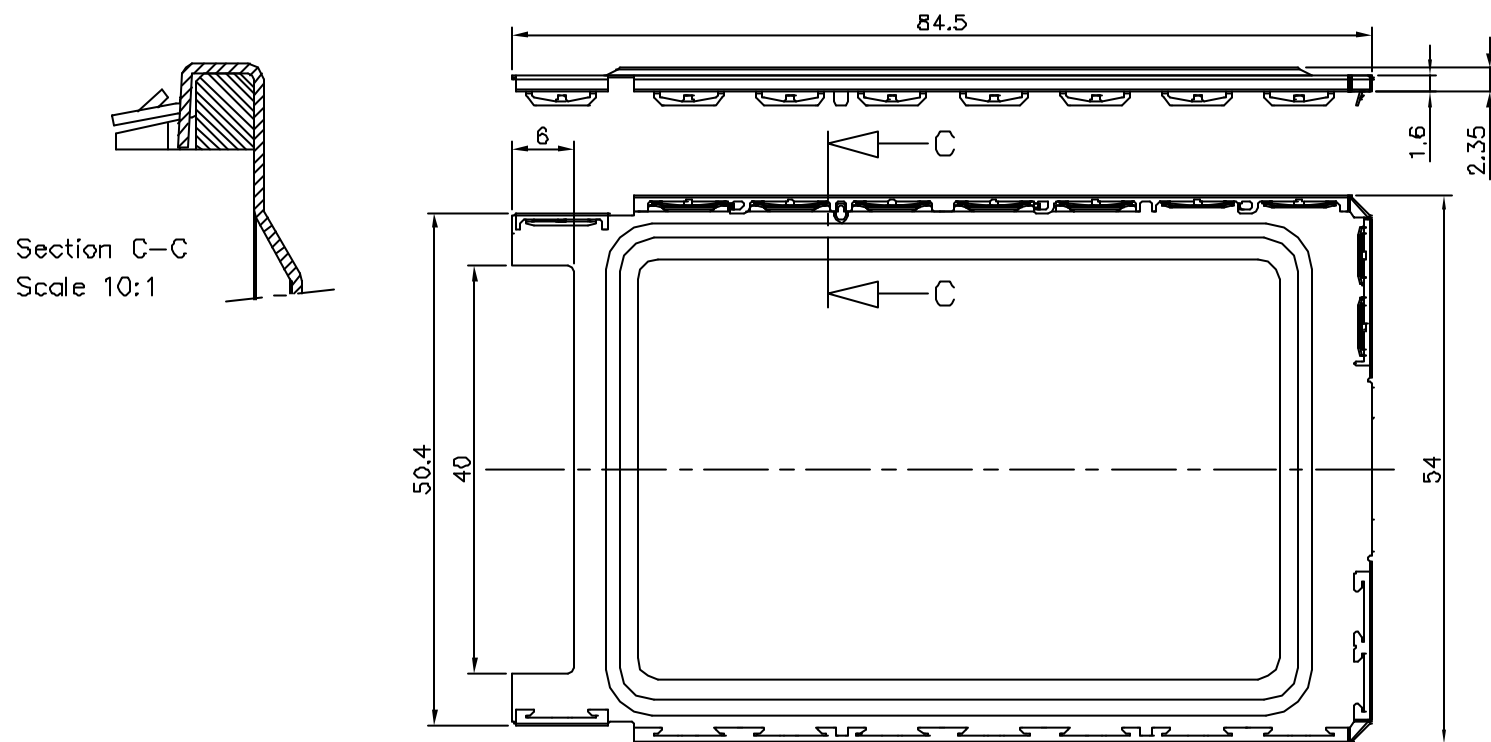


Version: Insulator  
(thickness 0.07 mm)

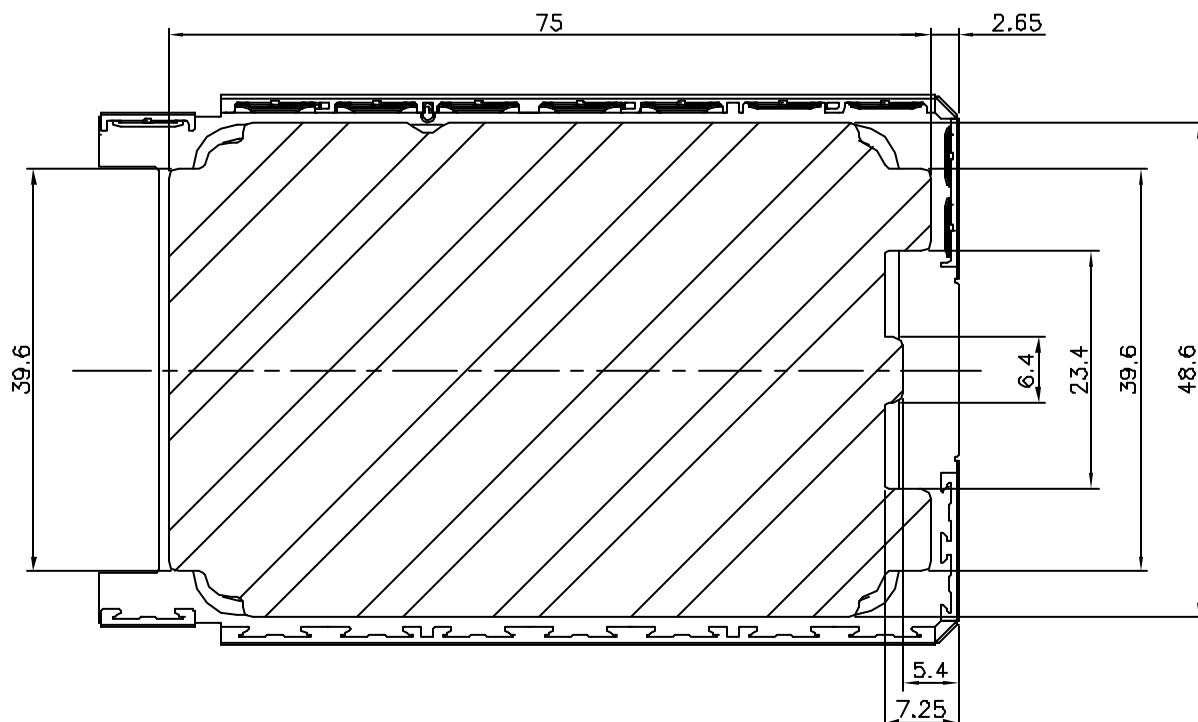
lfr	ecm no	dr	date	surface	tolerance	projection	product family
A	H80049	GCA	98.02.12	ISO 1302	ISO 416 ISO 1101	mm	PCMCIA
B	F80195	GCA	98.04.08	tolerance unless otherwise specified	angles linear	scale 2:1	title
C	F80323	DLE	99.05.04				ROCARD SHIELD TYPE II, CLOSED END
D	F10514	DLE	01.08.07				dwg no
E	F05-0254	DLE	05.09.26	engr	H VEREUKEN	98.02.12	83808
F	F08-0138	DLE	06.02.27	chr	F HAUTIER	99.05.04	sheet 4 of -
G	F06-0248	DLE	06.07.28	app	D LEGRAND	99.05.04	Az
sheet index	revision	sheet					type
							CUSTOMER Drawing

Product number	Insulator	Label recess
83808-21001LF	no	no
83808-21011LF	yes	no
83808-21101LF	no	yes
83808-21111LF	yes	yes

Product number	Packaging
83808-xxxxxLF	1000 Rocard Shield/Box
83808-xxxxxSLF	200 Rocard Shield/Box



Version: Label recess  
(maximum label thickness 0.07 mm)

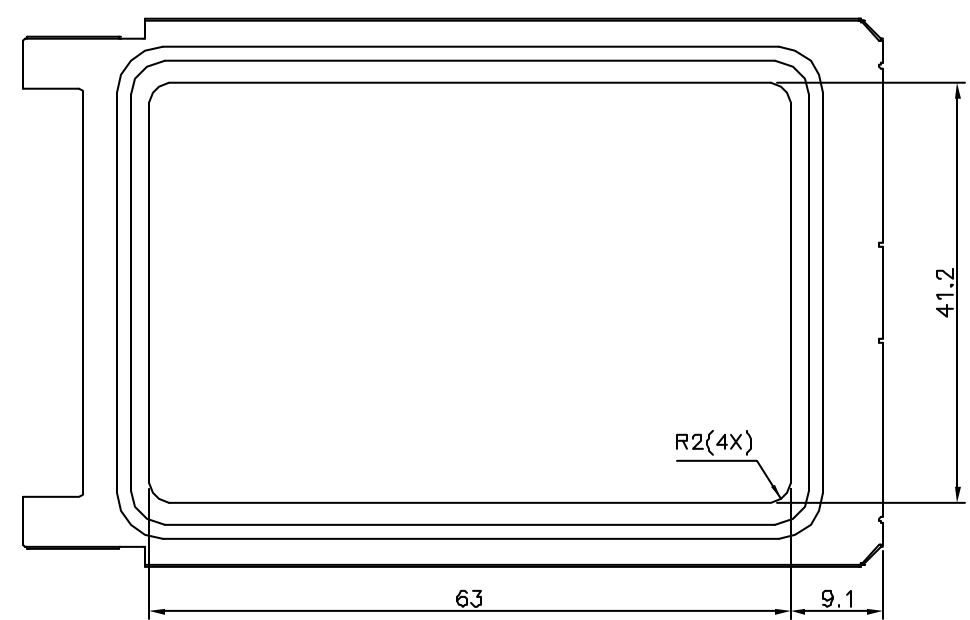
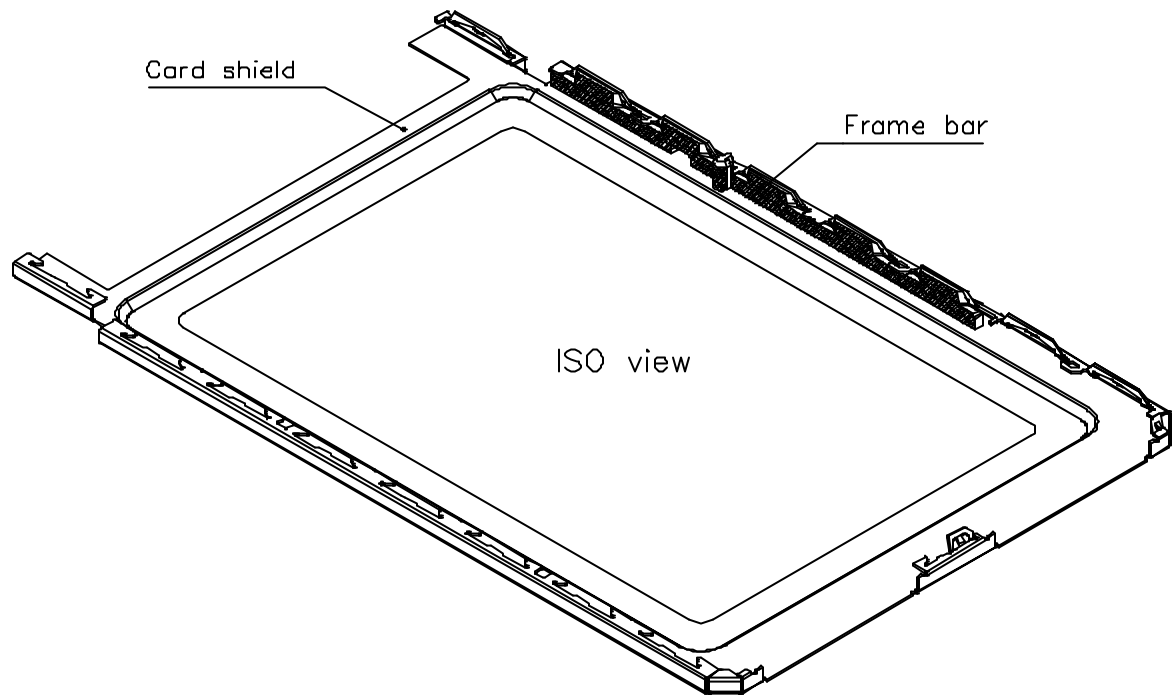
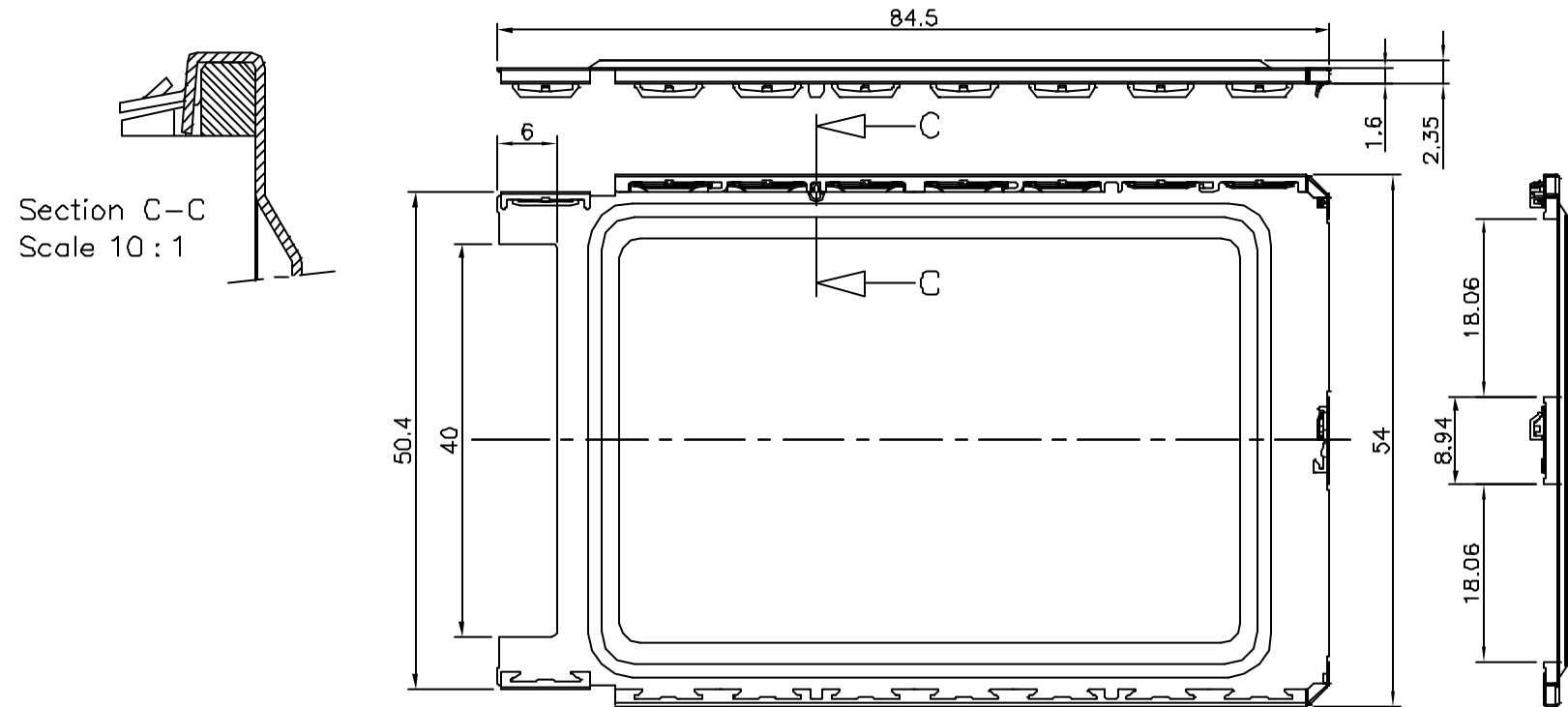


Version: Insulator  
(thickness 0.07 mm)

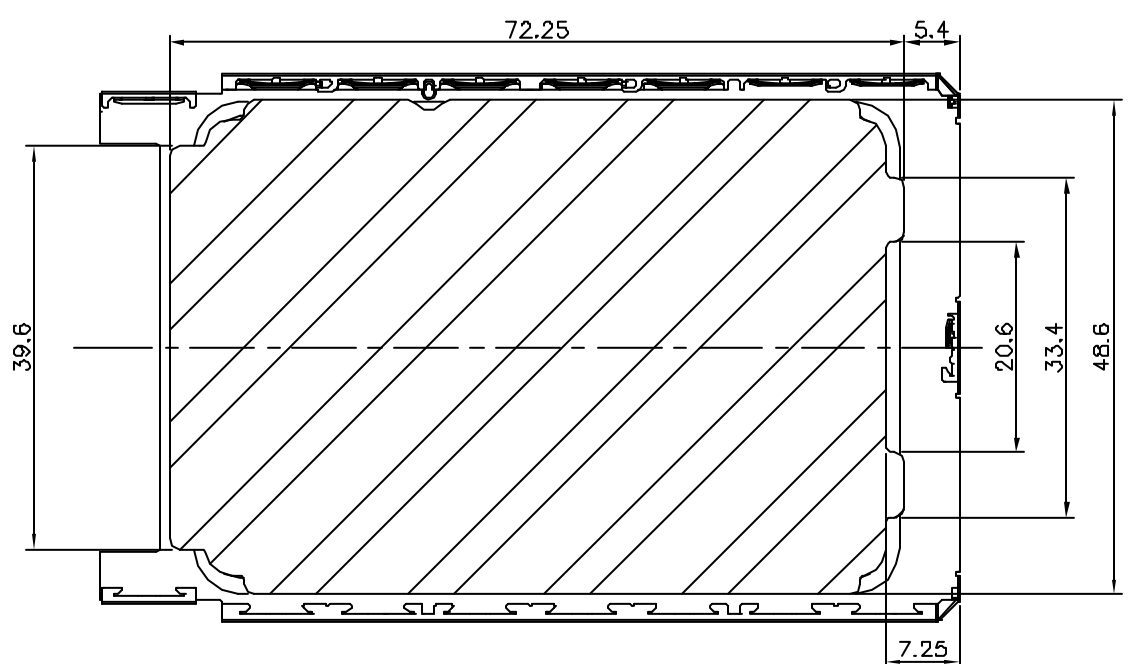
lfr	ecr	no	dr	date	surface	tolerance	projection	product family
A	H80048	GCA	98.02.12		ISO 1302	ISO 416 ISO 1101	mm	PCMCIA
B	F80195	GCA	98.04.08		tolerance unless otherwise specified		mm	title
C	F90323	DLE	99.05.04		angles	linear	scale 2:1	ROCARD SHIELD TYPEII, 1x1/0, CARDBUS
D	F10514	DLE	01.08.07	dr	H VEREUKEN	98.02.12		dwg no
E	F05-0254	DLE	05.09.26	enfr	F HAUTIER	99.05.04		sheet 5 of -
F	F08-0138	DLE	06.02.27	chr	D LEGRAND	99.05.04		83808
G	F06-0248	DLE	06.07.28	app	F HAUTIER	99.05.04		Az
sheet	revision							type
index	sheet							CUSTOMER Drawing

Product number	Insulator	Label recess
83808-22001LF	no	no
83808-22011LF	yes	no
83808-22101LF	no	yes
83808-22111LF	yes	yes

Product number	Packaging
83808-xxxxxLF	1000 Rocard Shield/Box
83808-xxxxxSLF	200 Rocard Shield/Box



Version: Label recess  
(maximum label thickness 0.07 mm)

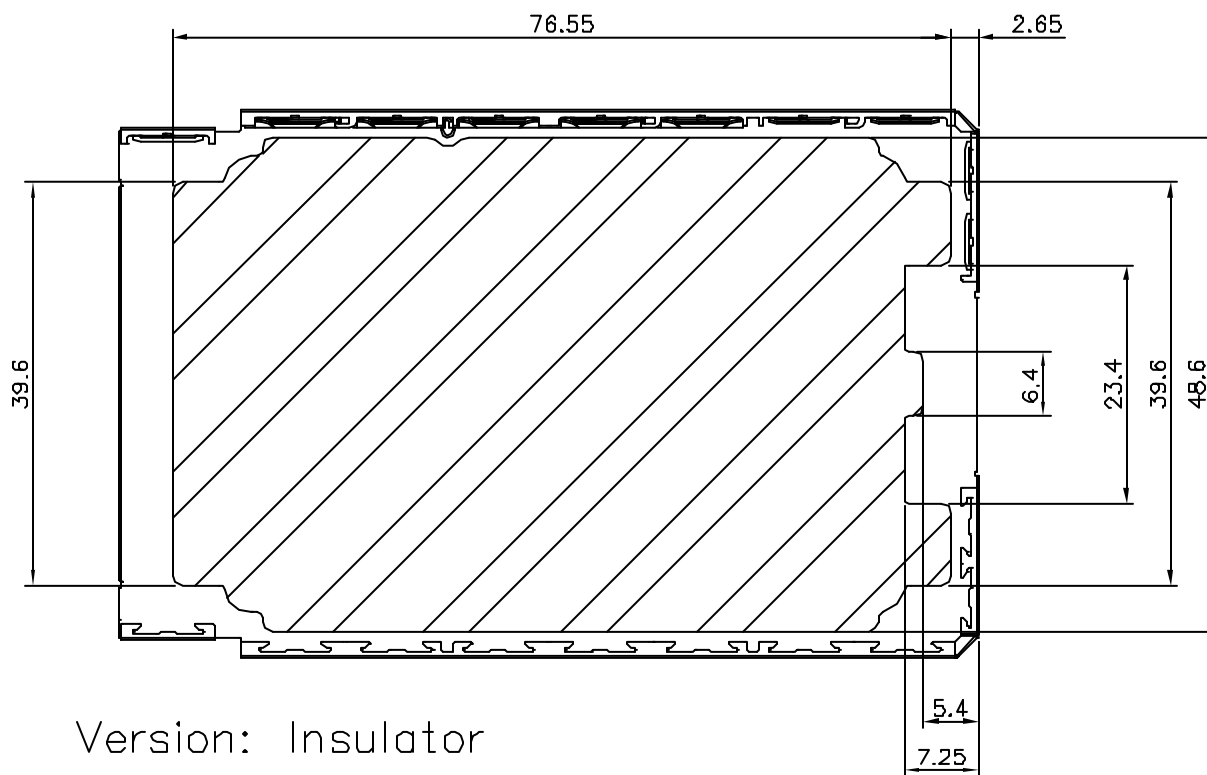
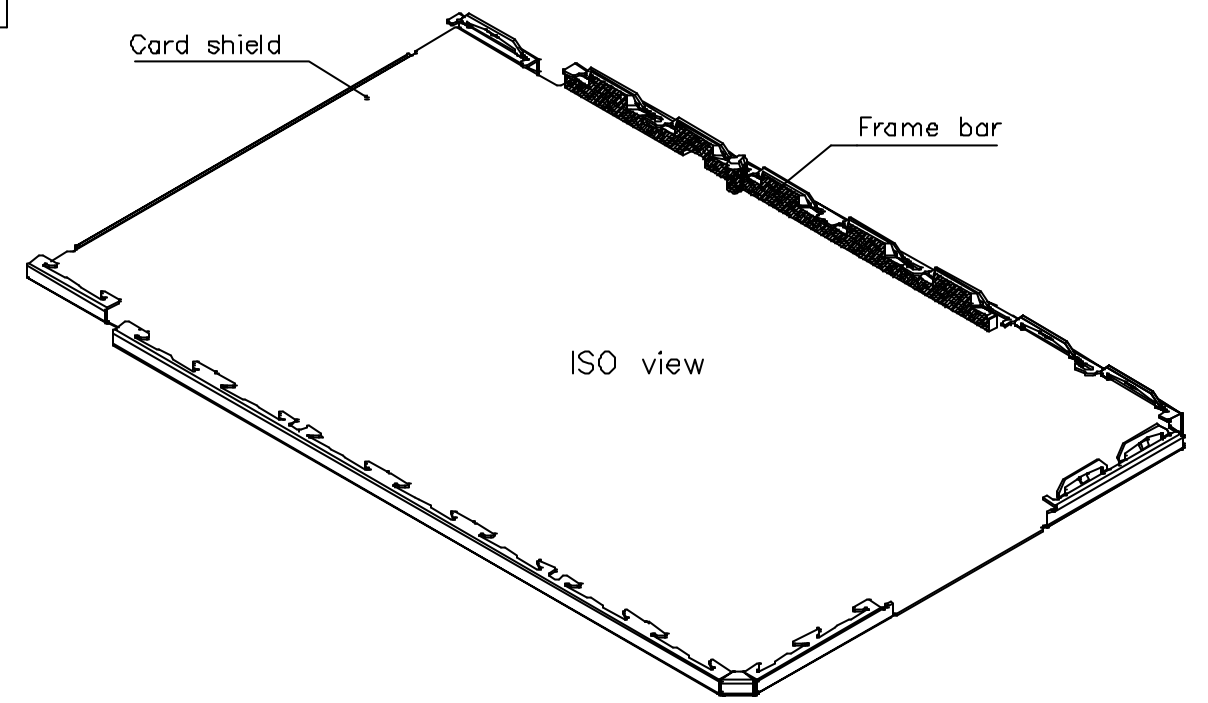
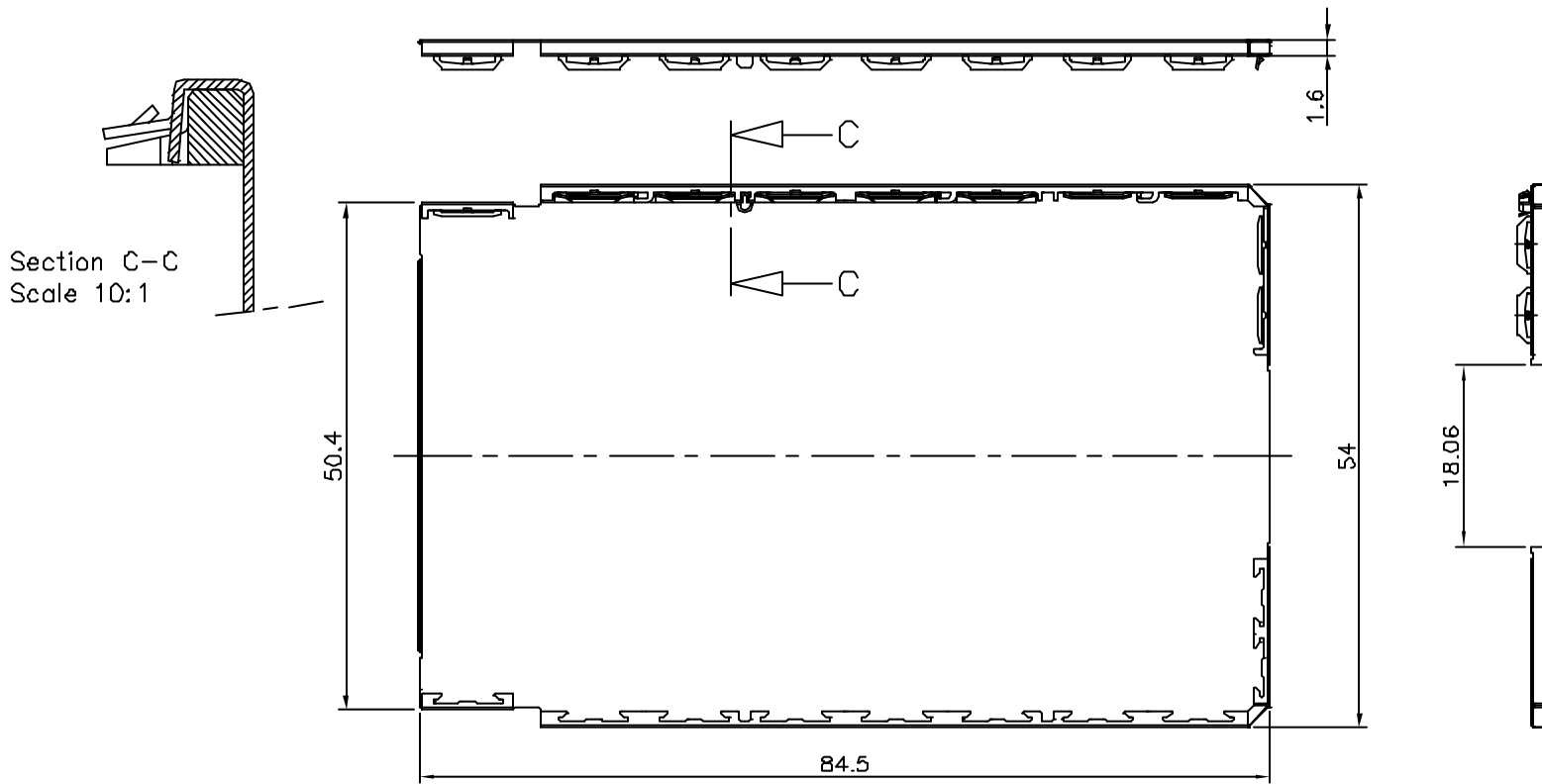


Version: Insulator  
(thickness 0.07 mm)

lfr	ecr	no	dr	date	surface	tolerance	projection	product family
A	H80049	GCA	98.02.12		ISO 1302	ISO 416 ISO 1101	mm	PCMCIA
B	F80195	GCA	98.04.08		tolerances unless otherwise specified		mm	title
C	F80323	DLE	99.05.04		angles	linear	scale 2:1	ROCARD SHIELD
D	F10514	DLE	01.08.07	dr	H VEREUKEN	98.02.12		TYPE II, 2xI/O, CARBUS
E	F05-0254	DLE	05.09.26	engr	F HAUTIER	99.05.04		dwg no
F	F08-0138	DLE	06.02.27	chr	D LEGRAND	99.05.04		83808
G	F06-0248	DLE	06.07.28	app	F HAUTIER	99.05.04		sheet B of -
sheet	revision							size
index	sheet							A2
								type
								CUSTOMER Drawing

Product number	Insulator
83808-11000LF	no
83808-11010LF	yes

Product number	Packaging
83808-xxxxxLF	1000 Rocard Shield/Box
83808-xxxxxSLF	200 Rocard Shield/Box

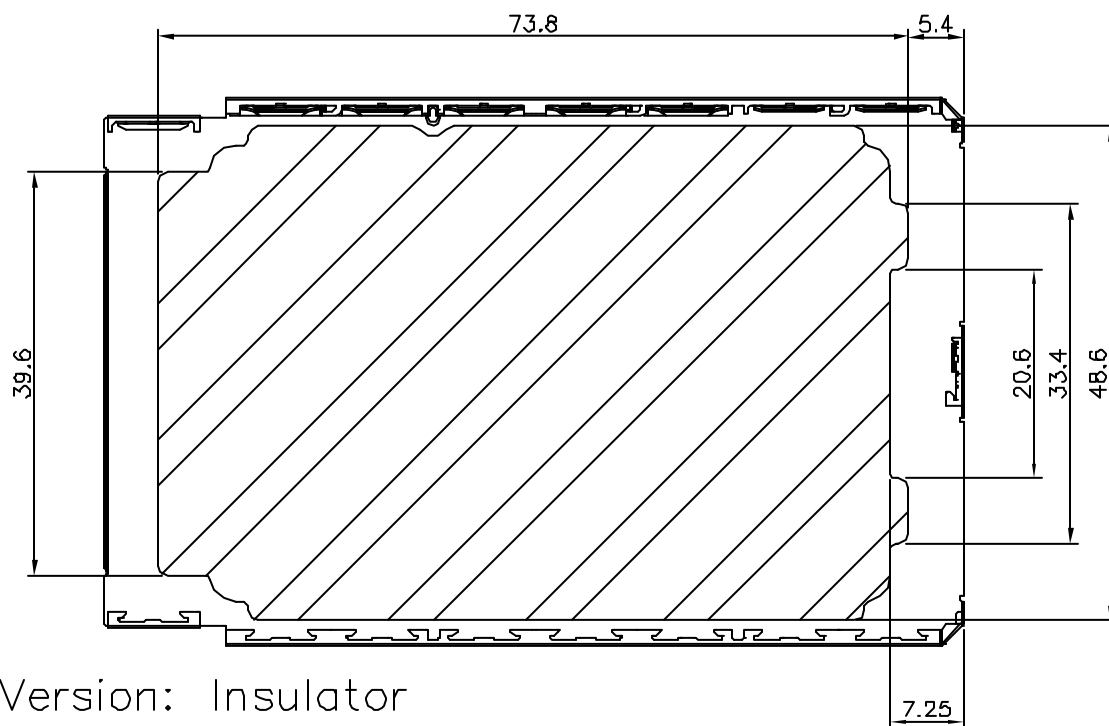
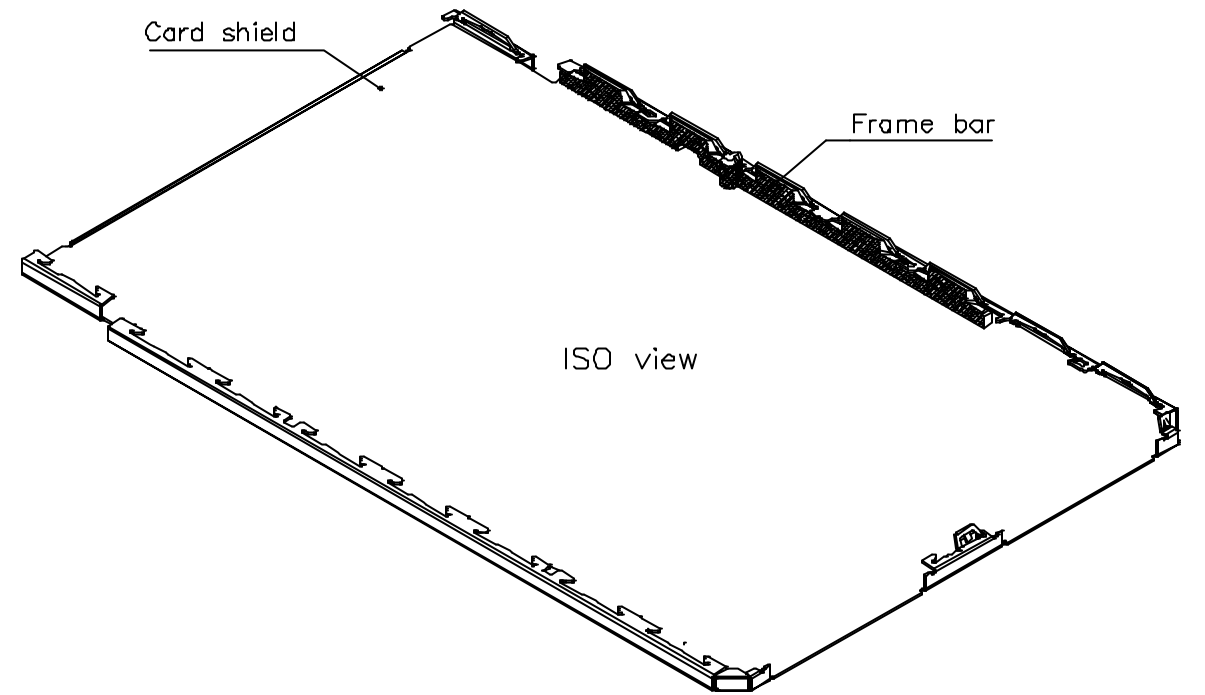
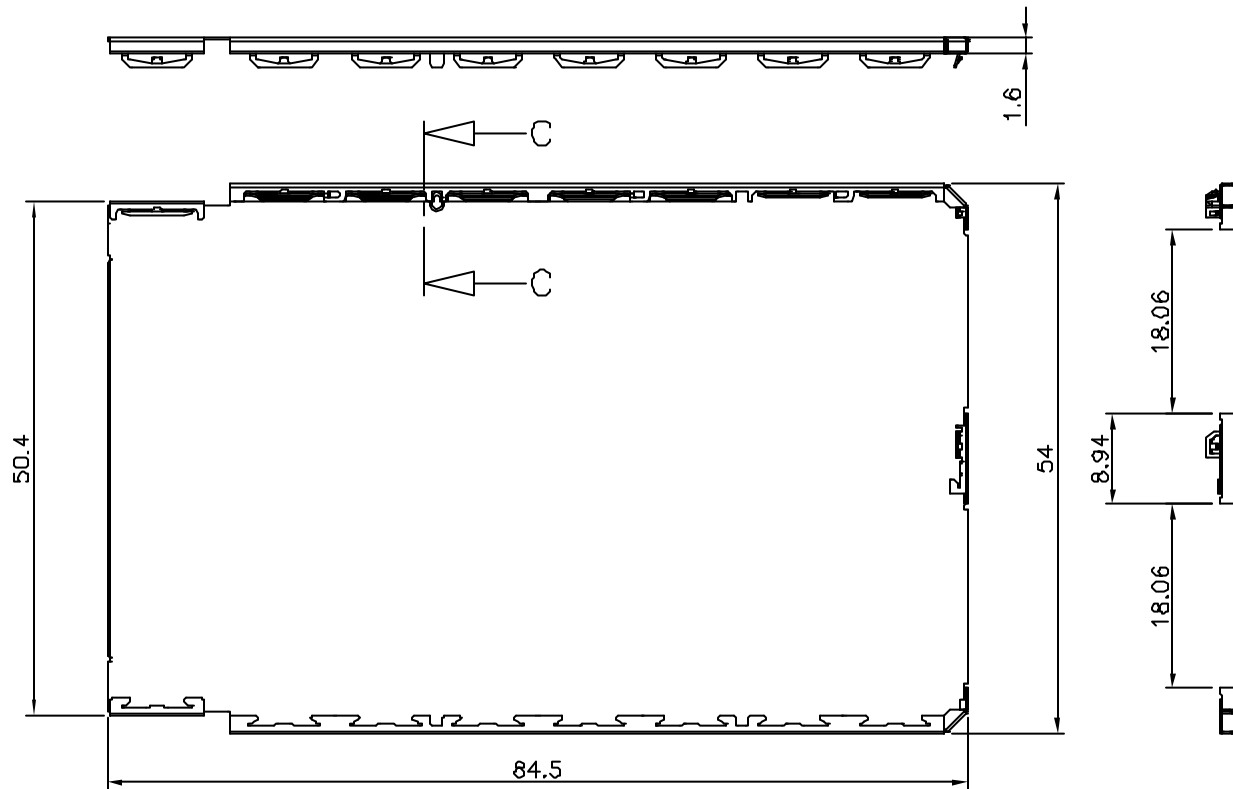
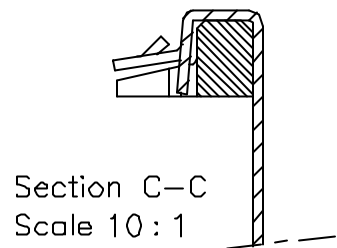


Version: Insulator  
(thickness 0.07 mm)

mat'l. code	surface	tolerance	projection	product family
	ISO 1302	ISO 416 ISO 1101		PCMCIA
lfr ecn no dr date	tolerance unless otherwise specified		mm	title
A F80195 GCA 98.04.08	angles	linear	scale 2:1	ROCARD SHIELD TYPE I, 1x1/0
B F90323 DLE 99.05.04				dwg no sheet 7 of - size
C F10514 DLE 01.09.07				83808 Az
D F05-0254 DLE 05.08.28 dr H VEREUKEN 98.02.12				type CUSTOMER Drawing
E F08-0138 DLE 06.02.27 engr F HAUTIER 99.05.04				
F F08-0248 DLE 06.07.28 chr D LEGRAND 99.05.04				
sheet index	revision sheet			

Product number	Insulator
83808-12000LF	no
83808-12010LF	yes

Product number	Packaging
83808-xxxxxLF	1000 Rocard Shield/Box
83808-xxxxxLFS	200 Rocard Shield/Box



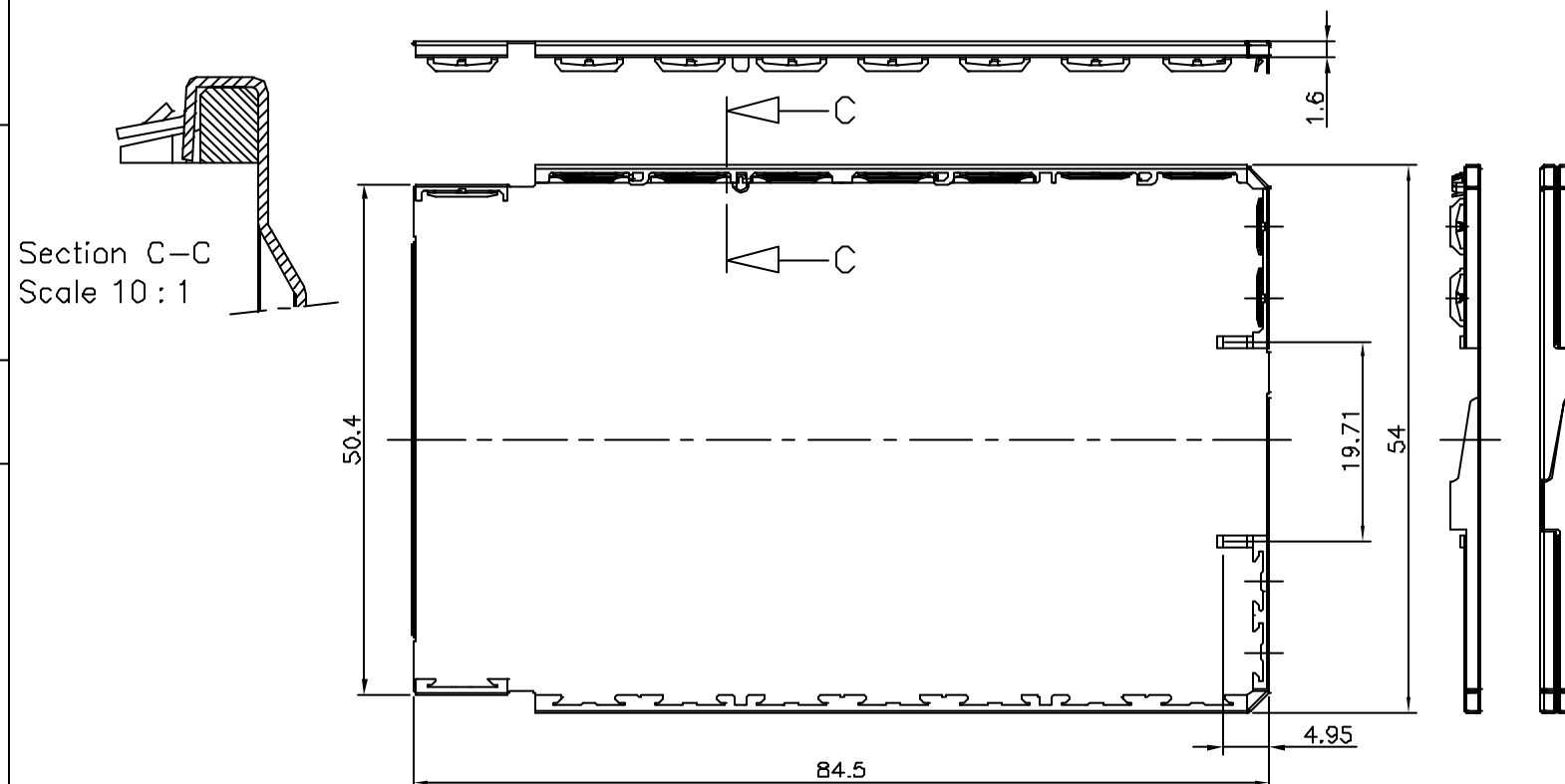
Version: Insulator  
(thickness 0.07 mm)

mat'l. code	surface	tolerance	projection	product family
	ISO 1302	ISO 416 ISO 1101		PCMCIA
lfr ecn no dr date	tolerance unless otherwise specified		mm	title
A F80195 GCA 98.04.08	angles	linear	scale 2:1	ROCARD SHIELD TYPE I, 2x1/0
B F90323 DLE 99.05.04				dwg no sheet 8 of - size
C F10514 DLE 01.09.07				83808 Az
D F05-0254 DLE 05.08.28 dr H VEREUKEN 98.02.12				type CUSTOMER Drawing
E F08-0138 DLE 06.02.27 engr F HAUTIER 99.05.04				
F F08-0248 DLE 06.07.28 chr D LEGRAND 99.05.04				
sheet index	revision sheet			

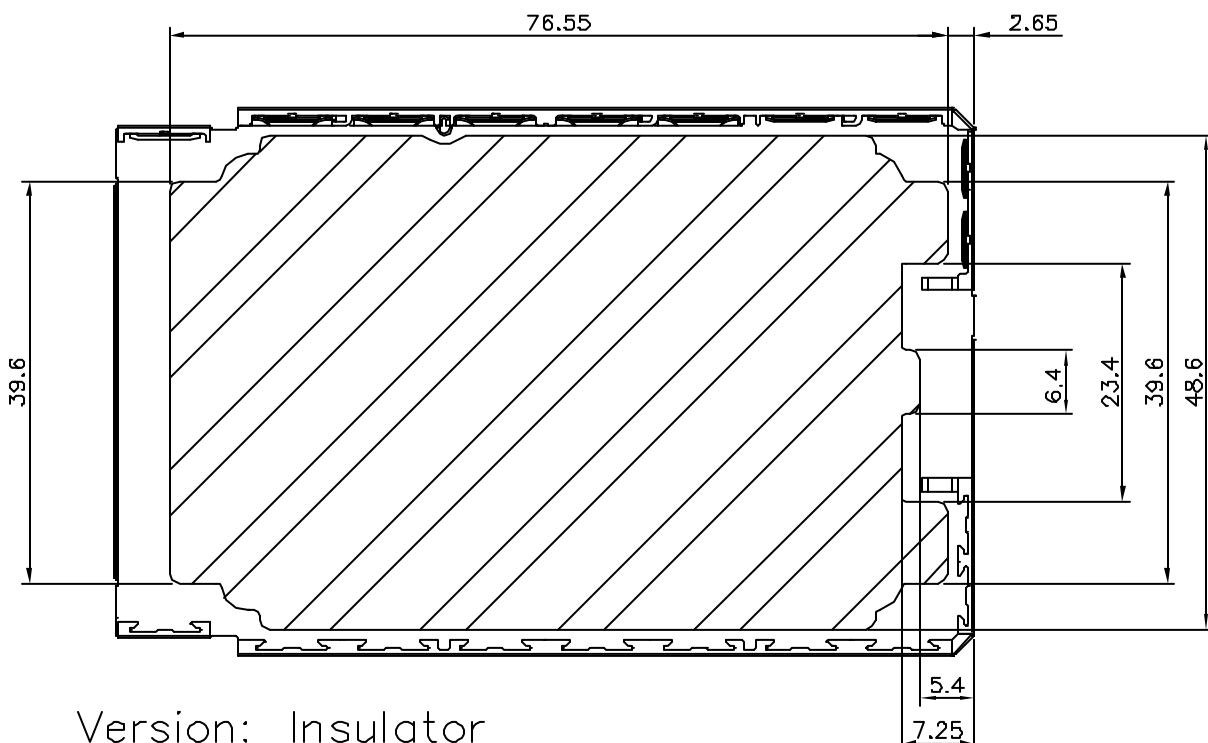
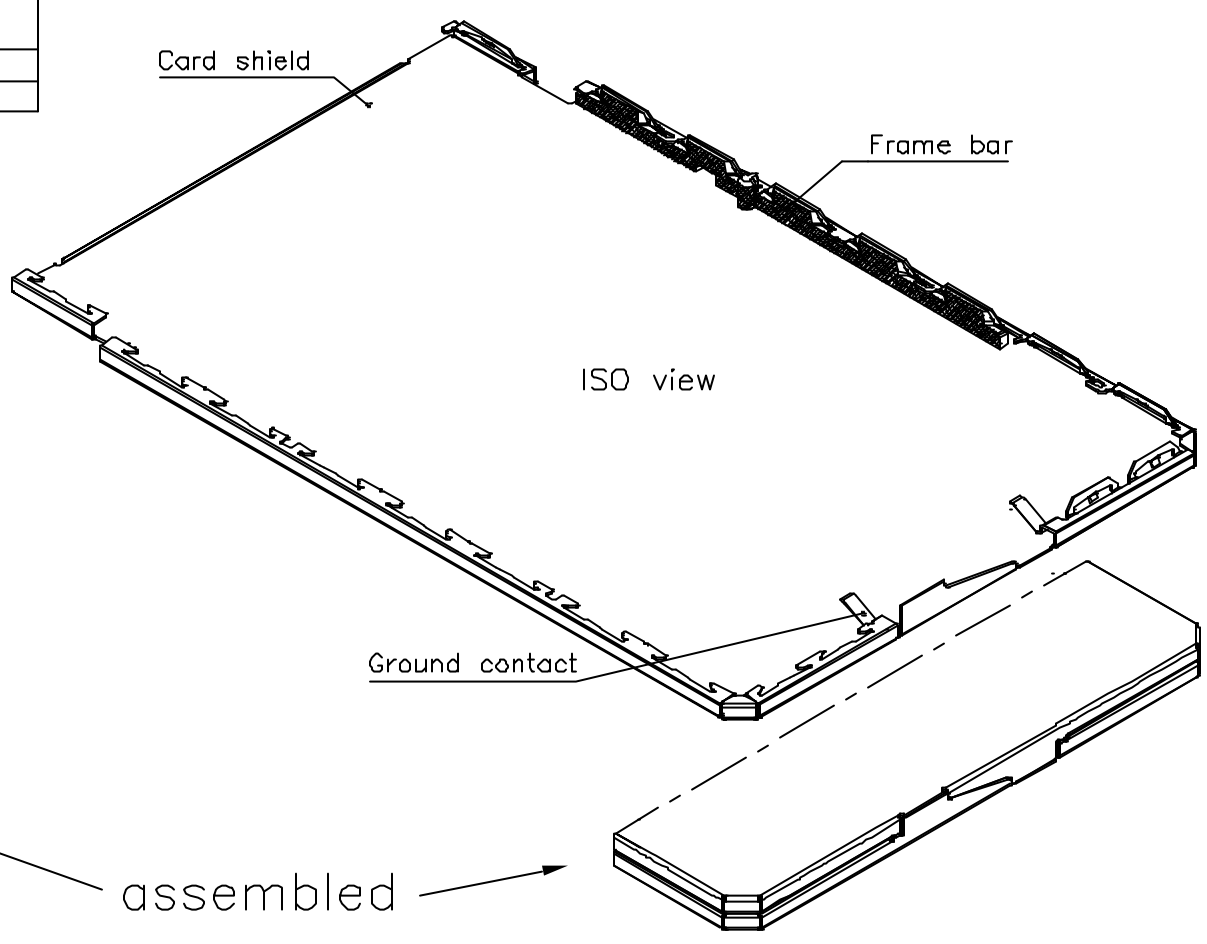


Product number	Insulator
83808-10000LF	no
83808-10010LF	yes

Product number	Packaging
83808-xxxxxLF	1000 Rocard Shield/Box
83808-xxxxxSLF	200 Rocard Shield/Box



Section C-C  
Scale 10:1

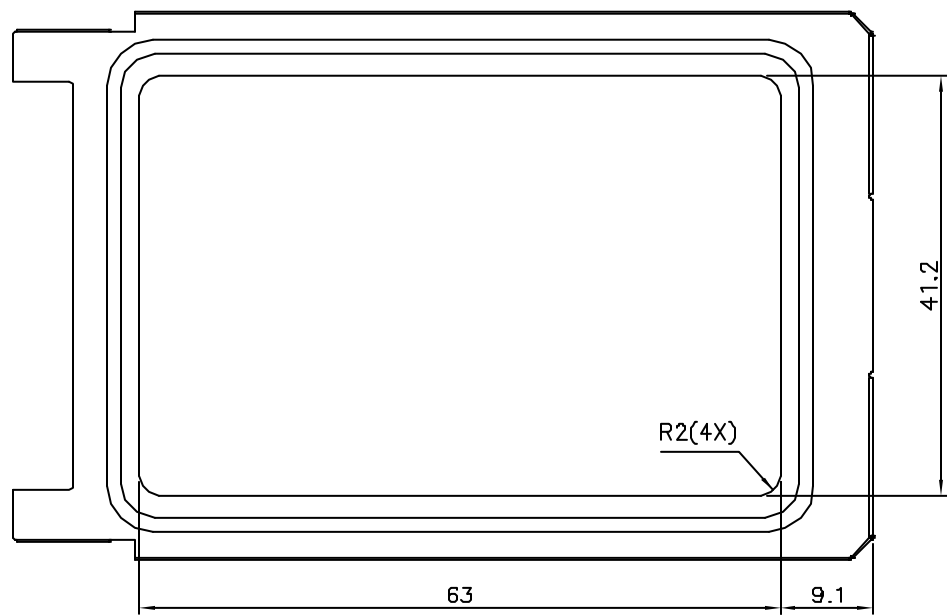
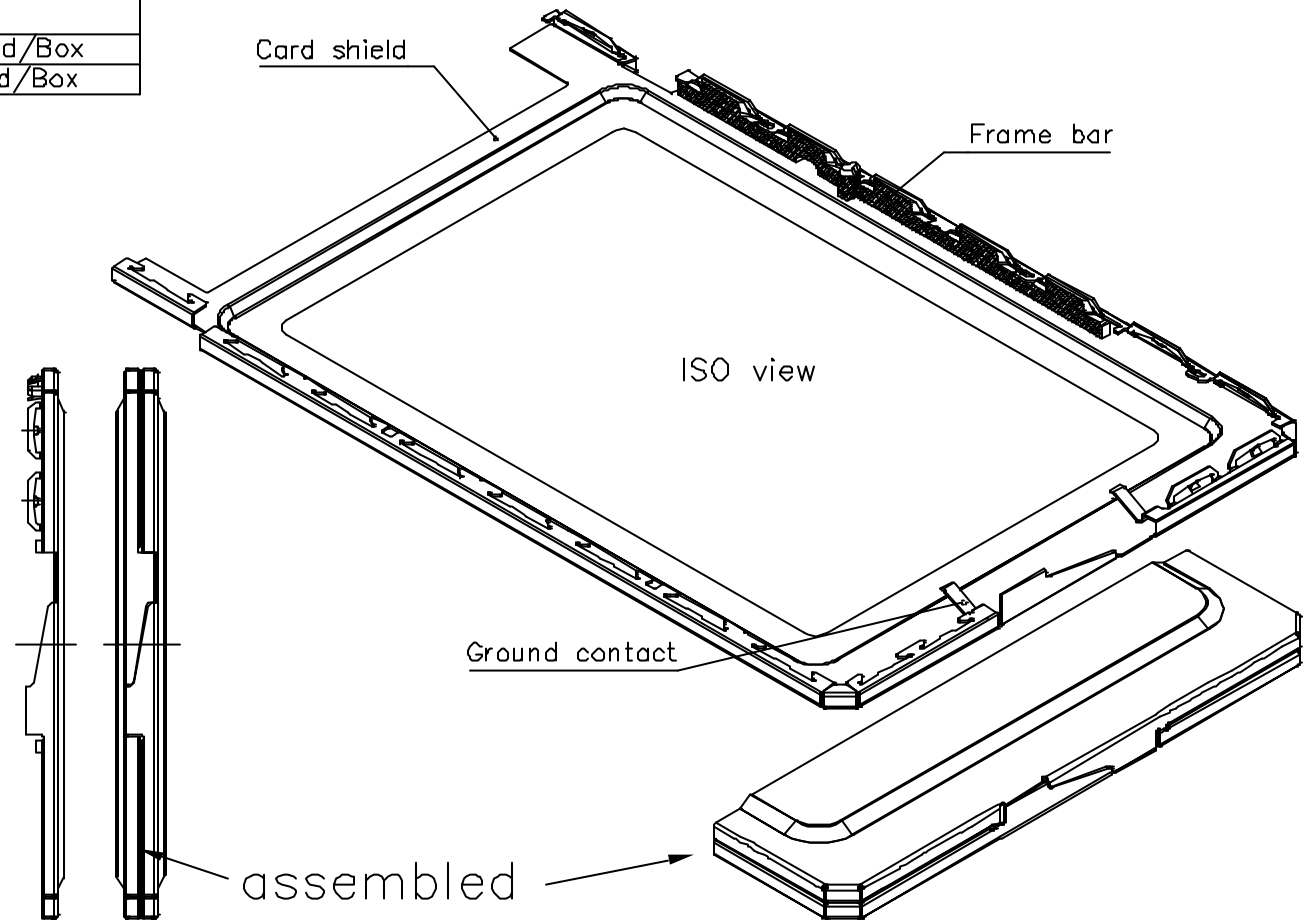
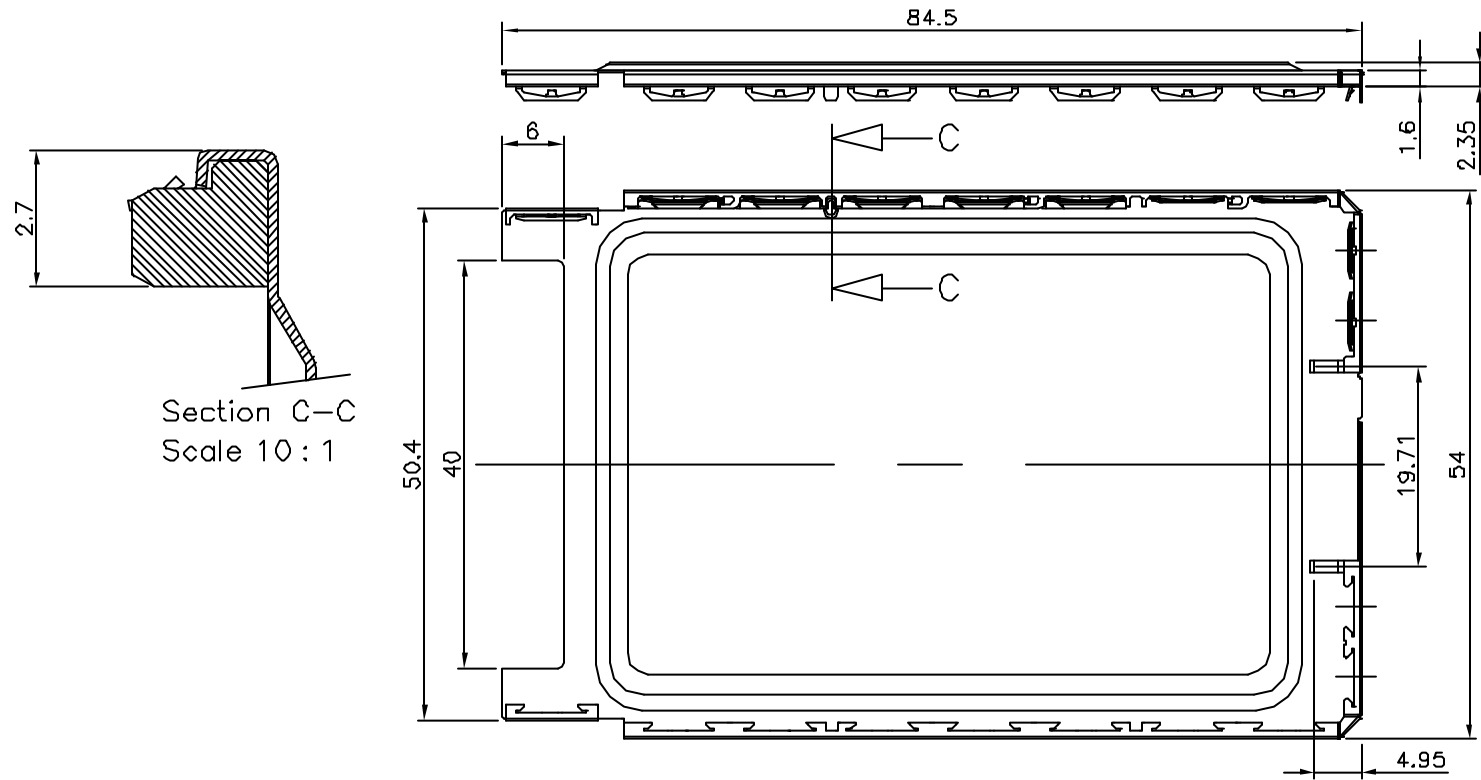


Version: Insulator  
(thickness 0.07 mm)

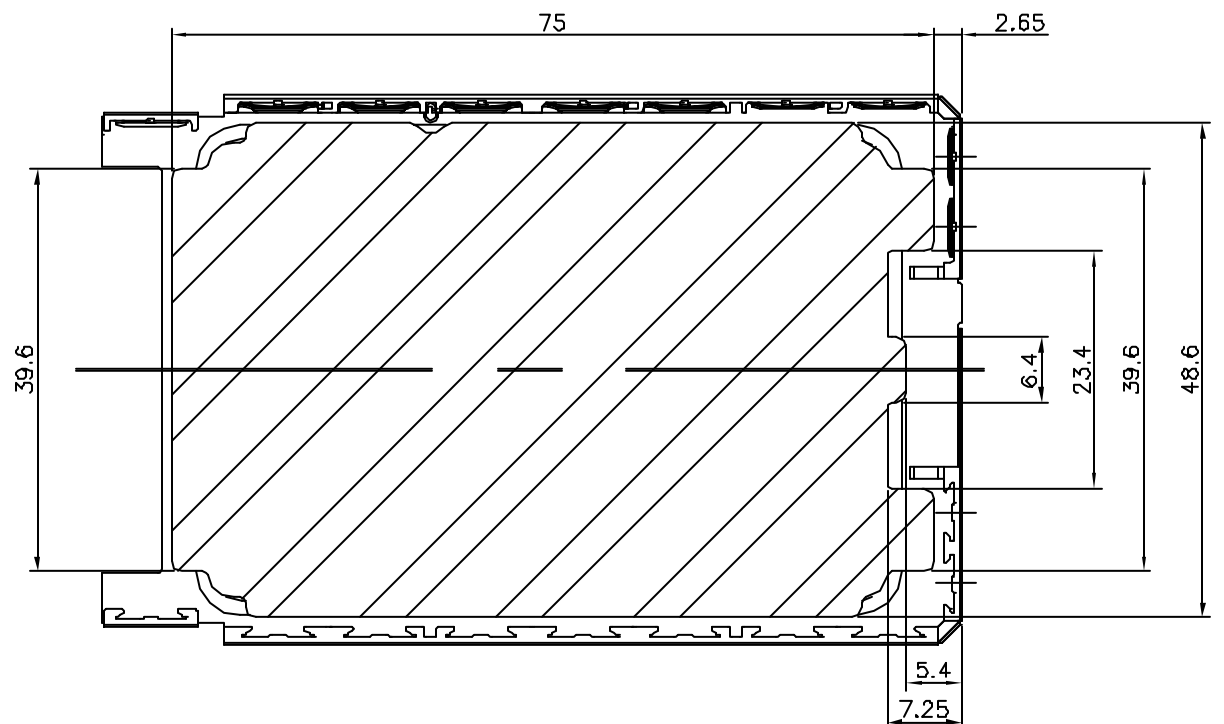
mat'l. code		surface		tolerance		projection		product family	
lfr	ecn no	dr	date	ISO 1302	ISO 416	ISO 1101	ISO 1101	PCMCIA	
A	F80195	GCA	98.04.08	tolerance unless otherwise specified		mm		title	
B	F90323	DLE	99.05.04	angles	linear	scale 2:1		ROCARD SHIELD TYPE I, CLOSED END	
C	F10514	DLE	01.09.07			FCJ		sheet 9 of - size	
D	F05-0254	DLE	05.08.28	dr	H VEREUKEN	98.02.12	83808		Az
E	F08-0138	DLE	06.02.27	enfr	F HAUTIER	99.05.04	type		CUSTOMER Drawing
F	F08-0248	DLE	06.07.28	chr	D LEGRAND	99.05.04			
sheet index		revision sheet		appd		F HAUTIER		99.05.04	

Product number	Insulator	Label recess
83808-20001LF	no	no
83808-20011LF	yes	no
83808-20101LF	no	yes
83808-20111LF	yes	yes

Product number	Packaging
83808-xxxxxLF	1000 Rocard Shield/Box
83808-xxxxxSLF	200 Rocard Shield/Box



Version: Label recess  
(maximum label thickness 0.07 mm)



Version: Insulator  
(thickness 0.07 mm)

lfr	ecn	no	dr	date	mat'l. code	surface	tolerance	projection	product family
A	F90655	DLE		99.10.25		ISO 1302	ISO 416 ISO 1101	mm	PCMCIA
B	F00106	LMU		00.01.19		tolerance unless otherwise specified			title
C	F10514	DLE		01.09.07		angles	linear	scale 2:1	ROCARD SHIELD TYPE II, CLOSED, CARDBUS
D	F05-0254	DLE		05.08.28	dr				sheet 10 of - size
E	F08-0138	DLE		06.02.27	engr				83808
F	F08-0248	DLE		06.07.28	chr				A2
					app				type
									CUSTOMER Drawing

# Mouser Electronics

Authorized Distributor

Click to View Pricing, Inventory, Delivery & Lifecycle Information:

[FCI / Amphenol:](#)

[83808-10000LF](#) [83808-20100LF](#) [83808-21001LF](#) [83808-21011LF](#) [83808-22010LF](#) [83808-22011LF](#) [83808-22111LF](#) [83808-22000LF](#) [83808-22001LF](#) [83808-22100LF](#)