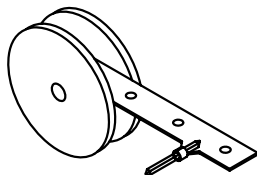


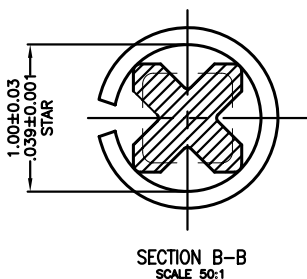
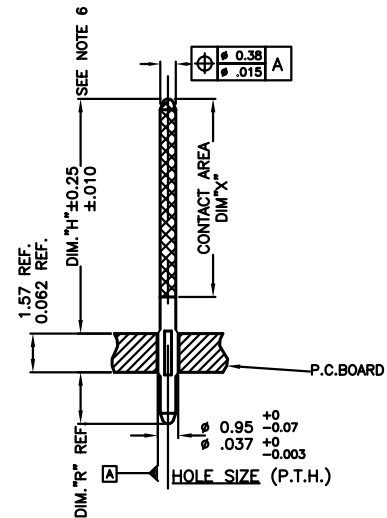
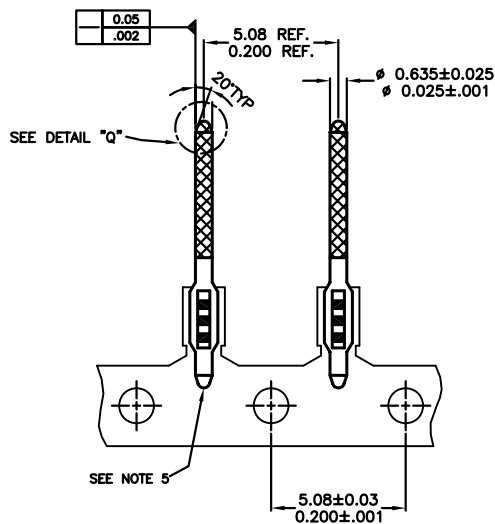
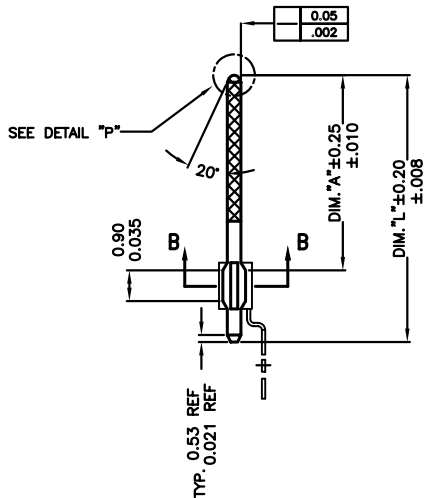
PRODUCT NUMBER	DIM"A"	DIM"L"	DIM"H"	DIM"R"	DIM"X"	PLATING CONTACT AREA	PLATING REMAINDER OF PIN
76772-101	6.28/.247	8.76/.345	5.97/.235	1.22/.048	5.30/.209	1.27µm/50µ" Au OVER 1.27µm/50µ" Ni	0.2µm/8µ" Au OVER 1.27µm/50µ" Ni
76772-101LF	6.28/.247	8.76/.345	5.97/.235	1.22/.048	5.30/.209	1.27µm/50µ" Au OVER 1.27µm/50µ" Ni	0.2µm/8µ" AU OVER 1.27µm/50µ" Ni

REELING PRODUCT TO CUSTOMER

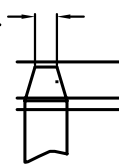


NOTES:

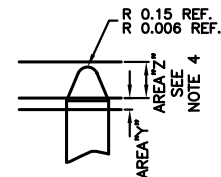
- BURNISH MARKS PERMITTED ON PIN.
- BASE MATERIAL PIN: 3/4 HARD PHOSPER BRONZE A.S.T.M. B-159-66.
- CARRIER STRIP MATERIAL: 1/2 HARD BRASS A.S.T.M. B-36-67 ALLOY 260.
- MAX. BURRS PERMITTED IN AREA "Y" IS 0.01/0.04 OVER AREA "Z" 0.04/0.016.
- PIN TIP NOT PLATED ON THIS SIDE.
- WITH THE EXCEPTION OF STAR AREA. RADIUS AT 4 PIN CORNERS MAX. 0.05/0.002.
- PART NUMBERS WITH A LF SUFFIX MEET EUROPEAN UNION DIRECTIVES AND OTHER COUNTRY REGULATIONS AS DESCRIBED IN GS-22-008.



TYP. 0.25 MAX. 0.010 MAX.



DETAIL P SCALE 50:1



DETAIL Q SCALE 50:1

mat'l. code		surface		tolerance		projection		product family		
NOTE 2 & 3		ISO 902		ISO 406 ISO 1101		mm/inch		PIN PRODUCTS		
ltr	ecr no	dr	date	tolerances unless otherwise specified				title		
F	v05-1138	VS	2/23/06	angles	linear	.X±.3/.XX±.01 .00±.13/.000±.005 .000±.051/.000±.002		SELECTIVE PLATED BERG PIN		
				0°±2'	scale		1:1		dwg no	
				dr	V.SEBASTIAN		2/23/06		sheet 1 of 1 size	
				engr	T.BREWBAKER		2/23/06		76772 A3	
				chr	T.BREWBAKER		2/23/06		type	
				appd	T.BREWBAKER		2/23/06		Product Customer Drawing	
sheet	revision	F								
index	sheet	1								

Mouser Electronics

Authorized Distributor

Click to View Pricing, Inventory, Delivery & Lifecycle Information:

[FCI / Amphenol:](#)

[76772-101LF](#)