



PRODUCT NUMBER	NO. OF POS.	MATING LENGTH		TAIL LENGTH		BEND DIM		PIN PLATING CODE	POLARIZED POSITION	LEAD FREE PIN PLATING CODE	LEAD FREE OPTION
		DIM F ENGLISH	DIM F METRIC	DIM G ENGLISH	DIM G METRIC	DIM H ENGLISH	DIM H METRIC				
68450-001			J N A S	S I G N E D							NOTE 4, 5
68450-002	8	0.318	8.08	0.110	2.79	0.060	1.52	2	7	2	
68450-003	7	0.318	8.08	0.110	2.79	0.060	1.52	2	3	2	
68450-004	32	0.318	8.08	0.110	2.79	0.060	1.52	2	2-5-9-20-26-31	2	
68450-005	5	0.230	5.84	0.195	4.95	0.160	4.06	1	4	1	
68450-006	17	0.135	3.43	0.305	7.75	0.135	3.43	4	9	4LF	
68450-007	10	0.135	3.43	0.305	7.75	0.135	3.43	4	6	4LF	
68450-008	12	0.318	8.08	0.110	2.79	0.060	1.52	2	7	2	
68450-009			N O T	A V A	I L A	B L E					
68450-010	11	0.230	5.84	0.120	3.05	0.060	1.52	1	2-5	1	
68450-011	7	0.230	5.84	0.090	2.29	0.060	1.52	1	5	1	
68450-012	6	0.230	5.84	0.090	2.29	0.060	1.52	1	5	1	
68450-013	6	0.230	5.84	0.090	2.29	0.060	1.52	1	4	1	
68450-014	6	0.120	3.05	0.185	4.70	0.149	3.78	4	5	4LF	
68450-015	4	0.230	5.84	0.120	3.05	0.060	1.52	4	2	4LF	
68450-016	4	0.230	5.84	0.090	2.29	0.060	1.52	3	2	3	
68450-017	12	0.230	5.84	0.090	2.29	0.060	1.52	1	2	1	
68450-018	5	0.230	5.84	0.090	2.29	0.060	1.52	3	2	3	
68450-019	6	0.230	5.84	0.090	2.29	0.060	1.52	1	3	1	
68450-020	9	0.230	5.84	0.120	3.05	0.060	1.52	1	2	1	
68450-021	12	0.318	8.08	0.120	3.05	0.060	1.52	4	2	4LF	
68450-022	8	0.318	8.08	0.120	3.05	0.060	1.52	2	3	2	
68450-023	7	0.318	8.08	0.110	2.79	0.060	1.52	2	2	2	
68450-024	8	0.318	8.08	0.120	3.05	0.060	1.52	2	6	2	
68450-025	25	0.110	2.79	0.230	5.84	0.135	3.43	4	3-21	4LF	
68450-026	14	0.135	3.43	0.295	7.49	0.135	3.43	1	5	1	
68450-027	19	0.230	5.84	0.195	4.95	0.160	4.06	2	ALL EVEN	2	NOTE 4, 5

NOTE

- FOR PRODUCT GEOMETRY AND GENERAL INFORMATION SEE DRAWING 93198.
- ANY NUMBER OF POSITIONS FROM 2 THROUGH 36.
- PACKAGED IN POLY BAGS ONLY.
- ADD "HLF" SUFFIX AT THE END OF PART NUMBER FOR LEAD FREE OPTION.
- THESE PRODUCTS MEET EUROPEAN UNION DIRECTIVES AND OTHER COUNTRY REGULATION AS DESCRIBED IN GS-22-008.
- PART NUMBERS WITH "H" SUFFIX WILL WITHSTAND EXPOSURE TO 260°C PEAK TEMPERATURE FOR 20 SECONDS IN WAVE SOLDER, INFRA-RED OR VAPOR PHASE SOLDER PROCESS.

PART NUMBERS WITHOUT "H" SUFFIX WILL WITHSTAND EXPOSURE TO 260°C PEAK TEMPERATURE FOR WAVE SOLDER PROCESS.

BODY MATERIAL:

BERGSTIK: MANUFACTURER'S OPTION OF NYLON, PCT GLASS FIBER REINFORCED, FLAME RETARDENT PER UL-94V-0.  
 COLOR : BLACK OR MINERAL FILLED LCP, FLAME RETARDENT PER UL-94V-0.  
 COLOR BLACK.

- PLATING OPTIONS:  
PERFORMANCE PLATING WILL BE EITHER GOLD OR GXT ON POST OR TAIL, OPTIONALLY (78~295u"/2~7.5u) TIN ON TAIL.
- \*THIS PRODUCT HAS 100% TIN PLATING IN THE INTERFACE AND HAS NOT BEEN TESTED FOR WHISKER GROWTH IN ALL INTERCONNECT ENVIRONMENTS.\*

mat'l. code				surface ISO 1302 ✓		tolerance ISO 406 ISO 1101		projection		product family Bergstik			
ltr	ecn no	dr	date	tolerances unless otherwise specified				INCH/MM		title			
BT	N11-0118	JZ	2011-04-22	angles	.XX±.01/XX±0.3		INCH/MM		BERGSTIK® II HEADER R/A				
BU	ELX-N-16105	ZK	2013-10-22	linear	.XXX±.005/XX±0.13		scale 1: 1		.100/2.54cc SR POLARIZED				
				0°±2'	.XXXX±.0020/XXX±0.051				dwg no sheet 1 of 4 size				
				dr	T.BREWBAKER	1/13/95		FCI		68450 A4			
				enr	T.HANNA	1/13/95				type PRODUCT CUSTOMER Drawing			
				chr	T.HANNA	1/13/95							
				appd	T.HANNA	1/13/95							
sheet index	revision sheet	BU	BU	BU	BU	BU	BU						
		1	2	3	4								



PRODUCT NUMBER	MATING LENGTH		TAIL LENGTH		BEND DIM		PIN PLATING CODE	POLARIZED POSITION	LEAD FREE PIN PLATING CODE	LEAD FREE OPTION	
	NO. OF DIM F	DIM F	DIM G	DIM G	DIM H	DIM H					
	POS.	ENGLISH METRIC	ENGLISH METRIC	ENGLISH METRIC	ENGLISH METRIC	ENGLISH METRIC					
68450-028	14	0.120	3.05	0.295	7.49	0.135	3.43	1	5	1	NOTE 4, 5
68450-029	19	0.230	5.84	0.120	3.05	0.060	1.52	2	ALL EVEN	2	
68450-030	5	0.120	3.05	0.230	5.84	0.135	3.43	4	4	4LF	
68450-031	18	0.230	5.84	0.120	3.05	0.060	1.52	1	7	1	
68450-032	10	0.230	5.84	0.120	3.05	0.060	1.52	1	8	1	
68450-033	19	0.230	5.84	0.120	3.05	0.060	1.52	1	3-4-6-7-12	1	
68450-034	20	0.230	5.84	0.090	2.29	0.060	1.52	4	4	4LF	
68450-035	14	0.230	5.84	0.120	3.05	0.060	1.52	1	7	1	
68450-036	8	0.100	2.54	0.120	3.05	0.060	1.52	4	2	4LF	
68450-037	3	0.110	2.79	0.230	5.84	0.135	3.43	1	3	1	
68450-038	3	0.110	2.79	0.230	5.84	0.135	3.43	1	1	1	
68450-039	19	0.120	3.05	0.185	4.70	0.149	3.78	1	ALL EVEN	1	
68450-040	3	0.230	5.84	0.090	2.29	0.060	1.52	1	1	1	
68450-041	8	0.230	5.84	0.100	2.54	0.060	1.52	4	5	4LF	
68450-042	8	0.230	5.84	0.100	2.54	0.060	1.52	4	3	4LF	
68450-043	12	0.230	5.84	0.120	3.05	0.060	1.52	3	5-11	3	
68450-044	7	0.230	5.84	0.120	3.05	0.060	1.52	4	5	4LF	
68450-045	8	0.135	3.43	0.135	3.43	0.135	3.43	2	3	2	
68450-046	5	0.230	5.84	0.120	3.05	0.060	1.52	1	4	1	
68450-047	11	0.230	5.84	0.090	2.29	0.060	1.52	1	3	1	
68450-048	8	0.135	3.43	0.305	7.75	0.135	3.43	2	6	2	
68450-049	10	0.120	3.05	0.100	2.54	0.060	1.52	4	2-4-5-7-9	4LF	
68450-050	5	0.230	5.84	0.120	3.05	0.060	1.52	1	2	1	
68450-051	9	0.230	5.84	0.120	3.05	0.060	1.52	4	2-3-5-6-8	4LF	
68450-052	5	0.230	5.84	0.090	2.29	0.060	1.52	4	2	4LF	
68450-053	10	0.230	5.84	0.120	3.05	0.060	1.52	2	8	2	
68450-054	10	0.230	5.84	0.120	3.05	0.060	1.52	4	8	4LF	

NOTE 4, 5

A

A

B

5

B

mat'l. code		surface ISO 1302		tolerance ISO 406 ISO 1101		projection		product family Bergstik	
ltr	ecn no	dr	date	tolerances unless otherwise specified		INCH/MM		title	
BU				angles	.XX±.01/.X±0.3	scale 1: 1		BERGSTIK® II HEADER R/A	
				linear	.XXX±.005/.XX±0.13			.100/2.54cc SR POLARIZED	
				0°±2'	.XXX±.0020/.XXX±0.051			dwg no sheet 2 of 4 size	
				dr	T.BREWBAKER 1/13/95	FCI		68450 A4	
				enr	T.HANNA 1/13/95			type PRODUCT CUSTOMER Drawing	
				chr	T.HANNA 1/13/95				
				appd	T.HANNA 1/13/95				
sheet index	revision sheet								



PRODUCT NUMBER	NO. OF POS.	MATING LENGTH		TAIL LENGTH		BEND DIM		PIN PLATING CODE	POLARIZED POSITION	LEAD FREE PIN PLATING CODE	LEAD FREE OPTION
		DIM F	DIM F	DIM G	DIM G	DIM H	DIM H				
		ENGLISH	METRIC	ENGLISH	METRIC	ENGLISH	METRIC				
68450-055	10	0.230	5.84	0.120	3.05	0.060	1.52	1	8	1	NOTE 4, 5
68450-056	5	0.318	8.08	0.090	2.29	0.160	4.06	3	4	3	
68450-057H	8	0.120	3.05	0.230	5.84	0.060	1.52	2	2	2	
68450-058H	12	0.318	8.08	0.120	3.05	0.060	1.52	2	2	2	
68450-059H	6	0.230	5.84	0.085	2.16	0.060	1.52	4	2-3-4	4LF	
68450-060H	25	0.230	5.84	0.290	7.37	0.060	1.52	1	3-5-8-9-12-13-16-19-20	1	
68450-061H	3	0.230	5.84	0.090	2.29	0.060	1.52	1	2	1	
68450-062	5	0.275	6.99	0.120	3.05	0.060	1.52	2	2	2	
68450-063H	5	0.318	8.08	0.120	3.05	0.060	1.52	4	2	4LF	
68450-064H	6	0.230	5.84	0.120	3.05	0.060	1.52	1	2-3-4-5	1	
68450-065H	6	0.230	5.84	0.090	2.29	0.060	1.52	4	2-3-4-5	4LF	
68450-066H	4	0.230	5.84	0.120	3.05	0.060	1.52	4	2 AND 3	4LF	
68450-067	7	0.230	5.84	0.120	3.05	0.060	1.52	2	6	2	
68450-068	5	0.230	5.84	0.120	3.05	0.060	1.52	2	4	2	
68450-069H	12	0.230	5.84	0.090	2.29	0.060	1.52	1	7	1	
68450-070H	6	0.275	6.99	0.120	3.05	0.060	1.52	1	2	1	
68450-071H	7	0.110	2.79	0.230	5.84	0.160	4.06	2	3	2	
68450-072H	7	0.140	3.56	0.115	2.92	0.060	1.52	4	3,4	4LF	
68450-073H	7	0.140	3.56	0.115	2.92	0.060	1.52	2	3,4	2	
68450-074H	20	0.140	3.56	0.115	2.92	0.060	1.52	4	4,5,6,7,8,9,13,14,15,16,17	4LF	
68450-075H	20	0.140	3.56	0.115	2.92	0.060	1.52	2	4,5,6,7,8,9,13,14,15,16,17	2	
68450-076H	7	0.140	3.56	0.115	2.92	0.060	1.52	4	4,5	4LF	
68450-077H	7	0.140	3.56	0.115	2.92	0.060	1.52	2	4,5	2	
68450-078H	21	0.190	4.83	0.095	2.41	0.060	1.52	4	2,4,5,6,8,10,12,14,16,18,20	4LF	
68450-079H	21	0.190	4.83	0.095	2.41	0.060	1.52	2	2,4,5,6,8,10,12,14,16,18,20	2	
68450-080H	9	0.230	5.84	0.090	2.29	0.060	1.52	1	2	1	
68450-081H	12	0.320	8.13	0.100	2.54	0.060	1.52	4	4, 5, 9, 10	4LF	
68450-082H	3	0.120	3.05	0.120	3.05	0.060	1.52	1	2	1	

OB

OB

NOTE 4, 5

A

A

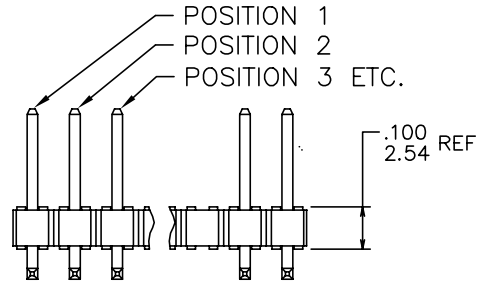
B

5

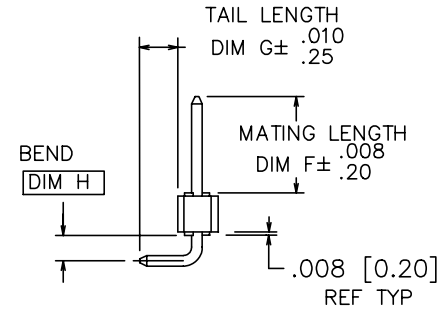
B

mat'l. code		surface ISO 1302		tolerance ISO 406 ISO 1101		projection 		product family Bergstik		
ltr	ecn no	dr	date		tolerances unless otherwise specified		INCH/MM		title BERGSTIK® II HEADER R/A .100/2.54cc SR POLARIZED	
BU					angles	.XX±.01/X±0.3 .XXX±.005/XX±0.13 0°±2' .XXX±.0020/XXX±0.051	scale 1: 1		dwg no 68450	
					dr	T.BREWBAKER 1/13/95	FCI		sheet 3 of 4 size A4	
					enr	T.HANNA 1/13/95			type PRODUCT CUSTOMER Drawing	
					chr	T.HANNA 1/13/95				
					appd	T.HANNA 1/13/95				
sheet index	revision sheet									

PRODUCT NUMBER	NO. OF POS.	MATING LENGTH		TAIL LENGTH		BEND DIM		PIN PLATING CODE	POLARIZED POSITION	LEAD FREE PIN PLATING CODE	LEAD FREE OPTION
		DIM F	DIM F	DIM G	DIM G	DIM H	DIM H				
		ENGLISH	METRIC	ENGLISH	METRIC	ENGLISH	METRIC				
68450-083H	5	0.120	3.05	0.120	3.05	0.060	1.52	4	2, 4	4LF	OB
68450-084H	5	0.120	3.05	0.120	3.05	0.060	1.52	4	2, 3	4LF	OB NOTE 4, 5



SINGLE ROW SIDE VIEW  
SEE NOTE 1



SINGLE ROW END VIEW

PIN PLATING CODES	
1	30u"/0.76u MIN (SEE NOTE 7) OVER 50u"/1.27u MIN Ni
2	15u"/0.38u MIN (SEE NOTE 7) OVER 50u"/1.27u MIN Ni
3	50u"/1.27u MIN (SEE NOTE 7) OVER 50u"/1.27u MIN Ni
4	100u"/2.54u MIN Sn OVER 50u"/1.27u MIN Ni (SEE NOTE 8)
4LF	

mat'l. code		surface ISO 1302 ✓		tolerance ISO 406 ISO 1101		projection		product family Bergstik	
ltr	ecn no	dr	date	tolerances unless otherwise specified		INCH/MM		title	
BU				angles	.XX±.01/XX±0.3	scale 1: 1		BERGSTIK® II HEADER R/A	
				linear	.XXX±.005/XX±0.13			.100/2.54cc SR POLARIZED	
				0°±2'	.XXX±.0020/XXX±0.051			dwg no sheet 4 of 4 size	
				dr	T.BREWBAKER 1/13/95	FCI		68450 A4	
				enr	T.HANNA 1/13/95			type PRODUCT CUSTOMER Drawing	
				chr	T.HANNA 1/13/95				
				appd	T.HANNA 1/13/95				
sheet index	revision sheet								

# Mouser Electronics

Authorized Distributor

Click to View Pricing, Inventory, Delivery & Lifecycle Information:

[FCI / Amphenol:](#)

[68450-084HLF](#)