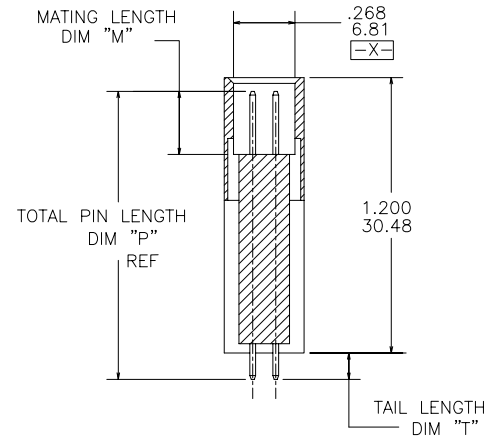
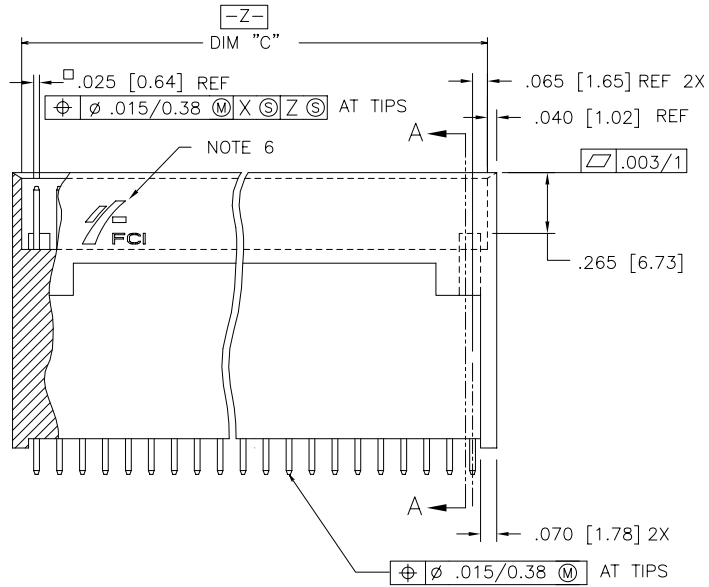
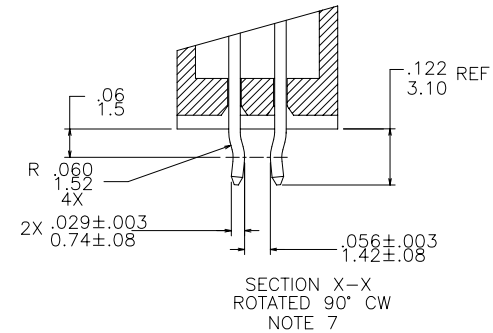
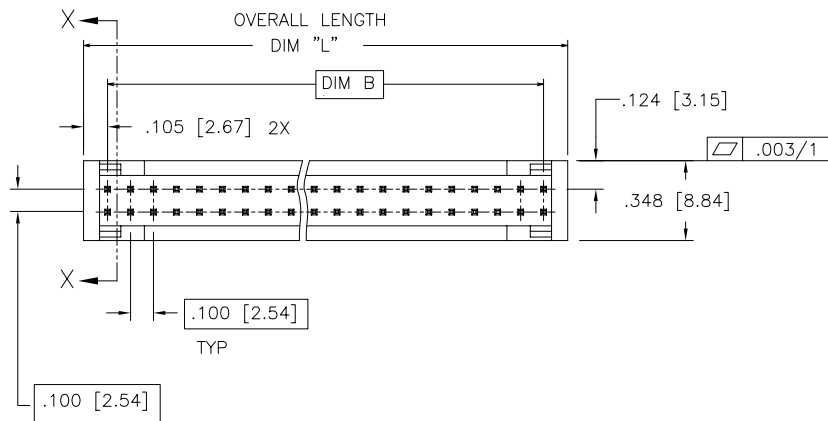


PRODUCT NUMBER  
SEE TABLE



SECTION A-A



SECTION X-X  
ROTATED 90° CW  
NOTE 7



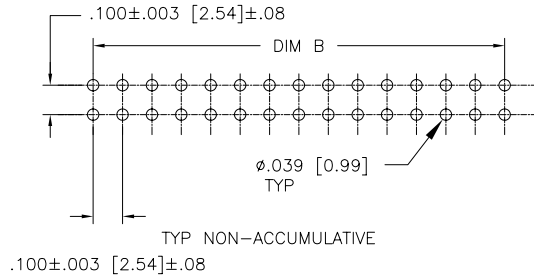
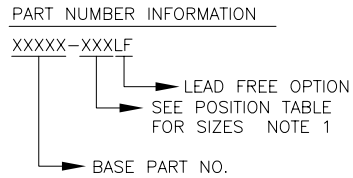
FCIconnect.com

Copyright FCI

mat'l. code		surface ISO 1302 ✓		tolerance ISO 406 ISO 1101		projection INCH/MM		product family HEADER	
Jtr		ecn no dr date		tolerances unless otherwise specified		INCH/MM		title	
K		V50987 MDF 8/26/95		angles		.XX±.01/.3		VERTICAL STACKING 2-ROW HEADER	
L		V60356 MDF 4/24/96		linear		.XXX±.005/.13		1.200/30.48 W/O MOUNTING HOLES	
M		V60834 LSS 8/1/96		0°±2'		.XXXX±.0020/.051		scale 1:1	
N		C70069 EPK 9/22/97		dr		M. FETROW 8/26/95		dwg no sheet 1 of 4 size	
P		C10007 DAI 4/11/01		enrg		L. FYE 8/26/95		68205 A3	
R		M05-0089 MHT 5/19/05		chr		T. BREWBAKER 8/26/95		type Product Customer Drawing	
sheet		R07-0116 AGS 2/19/07		appd		L. FYE 8/26/95			
index		revision R R R R		sheet 1 2 3 4					

form: A3

POSITION TABLE		
PRODUCT NO	SIZE	NOTES
XXXXX-001	UNAVAILABLE	
-002	UNAVAILABLE	
-003	UNAVAILABLE	
-004	UNAVAILABLE	
-005	UNAVAILABLE	
-006	2X10	NOTE 7
-007	UNAVAILABLE	
-008	UNAVAILABLE	
-009	UNAVAILABLE	
-010	UNAVAILABLE	
-011	2X15	
-012	UNAVAILABLE	
-013	UNAVAILABLE	
-014	UNAVAILABLE	
-015	UNAVAILABLE	
-016	2X20	
-017	UNAVAILABLE	
-018	UNAVAILABLE	
-019	UNAVAILABLE	
-020	2X24	
-021	UNAVAILABLE	
-022	2X26	
-023	UNAVAILABLE	
-024	UNAVAILABLE	
-025	UNAVAILABLE	
-026	2X30	
-027	UNAVAILABLE	
-028	2X32	
-029	UNAVAILABLE	
-030	UNAVAILABLE	
-031	UNAVAILABLE	
XXXXX-032	UNAVAILABLE	



RECOMMENDED PC BOARD LAYOUT  
SCALE 2/1

NOTES:

- ① SEE POSITION TABLE FOR PRODUCT NO AND SIZE TABULATION. HOUSING DASH NO IS SAME AS HEADER DASH NO.
- ② DIM B =  
(NO OF COLUMNS - 1) TIMES .100 (ENGLISH)  
(NO OF COLUMNS - 1) TIMES 2.54 (METRIC)
- ③ MOLDING MATERIAL: 20% MIN GLASS FILLED NYLON PER UL 94V-0. COLOR: BLACK,
- ④ TERMINAL MATERIAL: 3/4 HARD PHOS BRONZE ALLOY UNS C51000.
5. PIN RETENTION TO BE 3 LBS./1.4 KGS MINIMUM PER PIN IN EITHER DIRECTION.
- ⑥ COMPANY LOGO TO BE MOLDED IN APPROX LOCATION SHOWN.
- ⑦ "R" AT THE END OF PART NUMBER WILL BE FOR RETENTION PINS (KINKED).
- ⑧ ADD "LF" SUFFIX AT THE END OF PART NUMBER FOR LEAD FREE OPTION.
- ⑨ THE HOUSING WILL WITHSTAND EXPOSURE TO 260°C PEAK TEMPERATURE FOR 15 SECONDS IN A WAVE SOLDER APPLICATION WITH A 1.5mm MINIMUM THICK CIRCUIT BOARD. SEE APPLICATION NOTES/PROCEDURES IF THEY ARE AVAILABLE.
10. THESE PRODUCT MEETS EUROPEAN UNION DIRECTIVES AND OTHER COUNTRY REGULATION AS DESCRIBED IN GS-22-008.
11. PLATING OPTIONS:  
MAY BE EITHER GOLD OR GXT PLATED AT MANUFACTURER'S OPTION.

FCI  
FCIconnect.com  
Copyright FCI

mat'l. code		surface ISO 1302 ✓	tolerance ISO 406 ISO 1101	projection ⊕	product family HEADER
ltr	ecn	no	dr	date	title
R					VERTICAL STACKING 2-ROW HEADER
tolerances unless otherwise specified		.XX±.01/.3		INCH/MM	1.200/30.48 W/O MOUNTING HOLES
angles	linear	.XXX±.005/.13		scale 1:1	
0°±2'		.XXX±.0020/.051			
dr	M. FETROW	8/26/95			dwg no
enr	L. FYE	8/26/95			sheet 2 of 4
chr	T. BREWBAKER	8/26/95			size
app	L. FYE	8/26/95			A3
sheet index					type Product Customer Drawing
revision sheet					

PRODUCT NO NOTE 8	TERMINAL PLATING ( NOTE 11)
68205-XXX	15u"/0.38u MIN Au OVER 50u"/1.27u MIN Ni.
68585-XXX	30u"/0.76u MIN GXT OVER 50u"/1.27u MIN Ni.
68882-XXX	30u"/0.76u MIN Au OVER 50u"/1.27u MIN Ni.
69213-XXX	120u"/3.05u MIN TIN LEAD OVER 50u"/1.27u MIN Ni.
69215-XXX	15u"/0.38u MIN GXT OVER 50u"/1.27u MIN Ni.
69965-XXX	DUPLEX { CONTACT: 15u"/0.38u MIN Au OVER 50u"/1.27u Ni. TAIL: 100u"/2.54u MIN TIN OVER 50u"/1.27u Ni.
69969-XXX	DUPLEX { CONTACT: 30u"/0.76u MIN Au OVER 50u"/1.27u Ni. TAIL: 100u"/2.54u MIN TIN OVER 50u"/1.27u Ni.



FCIconnect.com

Copyright FCI

mat'l. code		surface ISO 1302 ✓		tolerance ISO 406 ISO 1101		projection 		product family HEADER	
ltr	ecn no	dr	date	tolerances unless otherwise specified		INCH/MM		title	
R				angles	linear	.XX±.01/.3		VERTICAL STACKING 2-ROW HEADER	
				0°±2'		.xxx±.005/.13	scale 1:1	1.200/30.48 W/O MOUNTING HOLES	
				dr	M. FETROW	8/26/95		dwg no	
				enr	L. FYE	8/26/95		sheet 3 of 4	
				chr	T. BREWBAKER	8/26/95		68205	
				appd	L. FYE	8/26/95		A3	
sheet index	revision sheet							type Product Customer Drawing	

form: A3

PRODUCT NO NOTE 8	SIZE	DIM "B"	DIM "C"	DIM "L"	TAIL LENGTH DIM "T"	MATING LENGTH DIM "M"	TOTAL PIN LENGTH DIM "P"	NOTES
68205-XXX	NOTE 1	NOTE 2	DIM "B" +.130/3.30	DIM "B" +.210/5.33	.103/2.62 MIN .130/3.30 MAX	.275±.010 6.98±0.25	1.255/31.88	
68205-033	2 x 32	3.100/78.74	3.23/82.0	3.31/84.1	.145±.010 3.68±0.25	.275±.010 6.98±0.25	1.255/31.88	
68205-034	2 x 15	1.400/35.56	1.53/38.9	1.61/40.9	.148±.008 3.76±0.20	.275±.010 6.98±0.25	1.255/31.88	
68205-035	2 x 26	2.500/63.50	2.63/66.8	2.71/68.8	.148±.008 3.76±0.20	.275±.010 6.98±0.25	1.255/31.88	
68585-XXX	NOTE 1	NOTE 2	DIM "B" +.130/3.30	DIM "B" +.210/5.33	.120/3.05	.275±.010 6.98±0.25	1.255/31.88	NOTE 7
68882-XXX	NOTE 1	NOTE 2	DIM "B" +.130/3.30	DIM "B" +.210/5.33	.103/2.62 MIN .130/3.30 MAX	.275±.010 6.98±0.25	1.255/31.88	
69213-XXX	NOTE 1	NOTE 2	DIM "B" +.130/3.30	DIM "B" +.210/5.33	.103/2.62 MIN .130/3.30 MAX	.275±.010 6.98±0.25	1.255/31.88	
69215-XXX	NOTE 1	NOTE 2	DIM "B" +.130/3.30	DIM "B" +.210/5.33	.103/2.62 MIN .130/3.30 MAX	.275±.010 6.98±0.25	1.255/31.88	
69965-XXX	NOTE 1	NOTE 2	DIM "B" +.130/3.30	DIM "B" +.210/5.33	.103/2.62 MIN .130/3.30 MAX	.275±.010 6.98±0.25	1.255/31.88	
69969-XXX	NOTE 1	NOTE 2	DIM "B" +.130/3.30	DIM "B" +.210/5.33	.103/2.62 MIN .130/3.30 MAX	.275±.010 6.98±0.25	1.255/31.88	



Copyright FCI

mat'l. code		surface ISO 1302 ✓		tolerance ISO 406 ISO 1101		projection 		product family HEADER	
ltr	ecn	no	dr	date		tolerances unless otherwise specified		title	
R						angles	linear	VERTICAL STACKING 2-ROW HEADER	
						0°±2'	.XX±.01/.3 .XXX±.005/.13 .XXXX±.0020/.051	1.200/30.48 W/O MOUNTING HOLES	
						dr	M. FETROW	8/26/95	scale 1:1
						enr	L. FYE	8/26/95	FCI
						chr	T. BREWBAKER	8/26/95	dwg no 68205 sheet 4 of 4 size A3
						appd	L. FYE	8/26/95	type Product Customer Drawing
sheet index	revision sheet								

# Mouser Electronics

Authorized Distributor

Click to View Pricing, Inventory, Delivery & Lifecycle Information:

[FCI / Amphenol:](#)

[68585-006](#) [68585-011](#) [68585-022](#) [68585-006R](#)