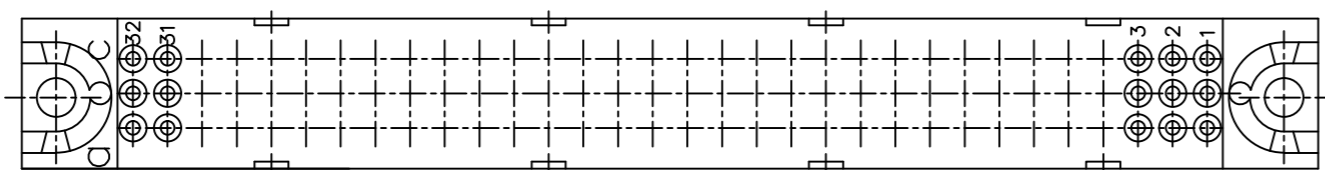
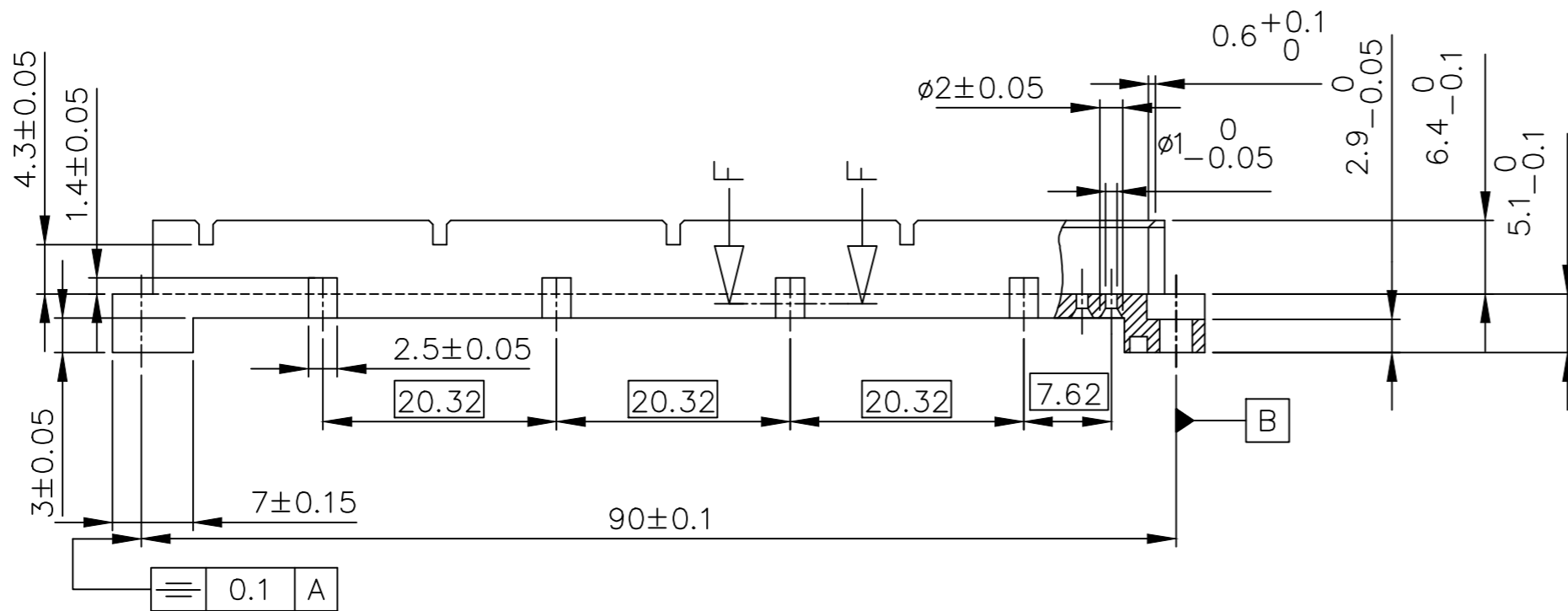
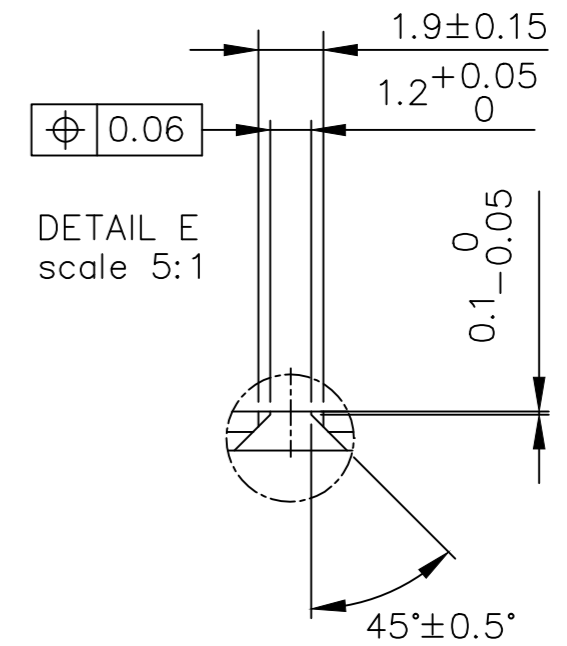
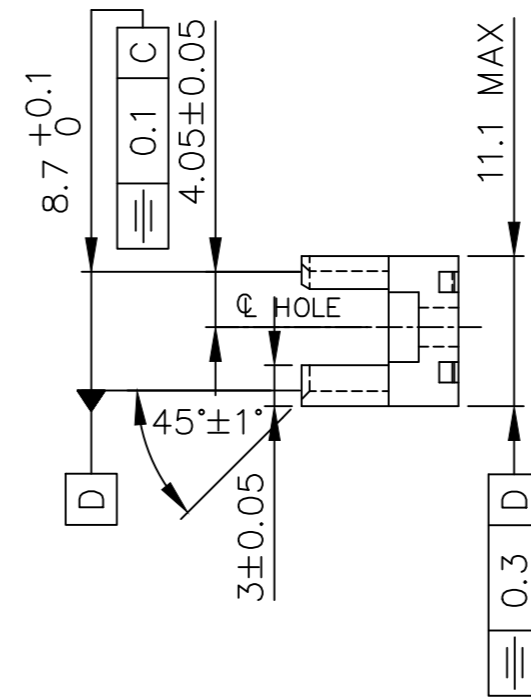
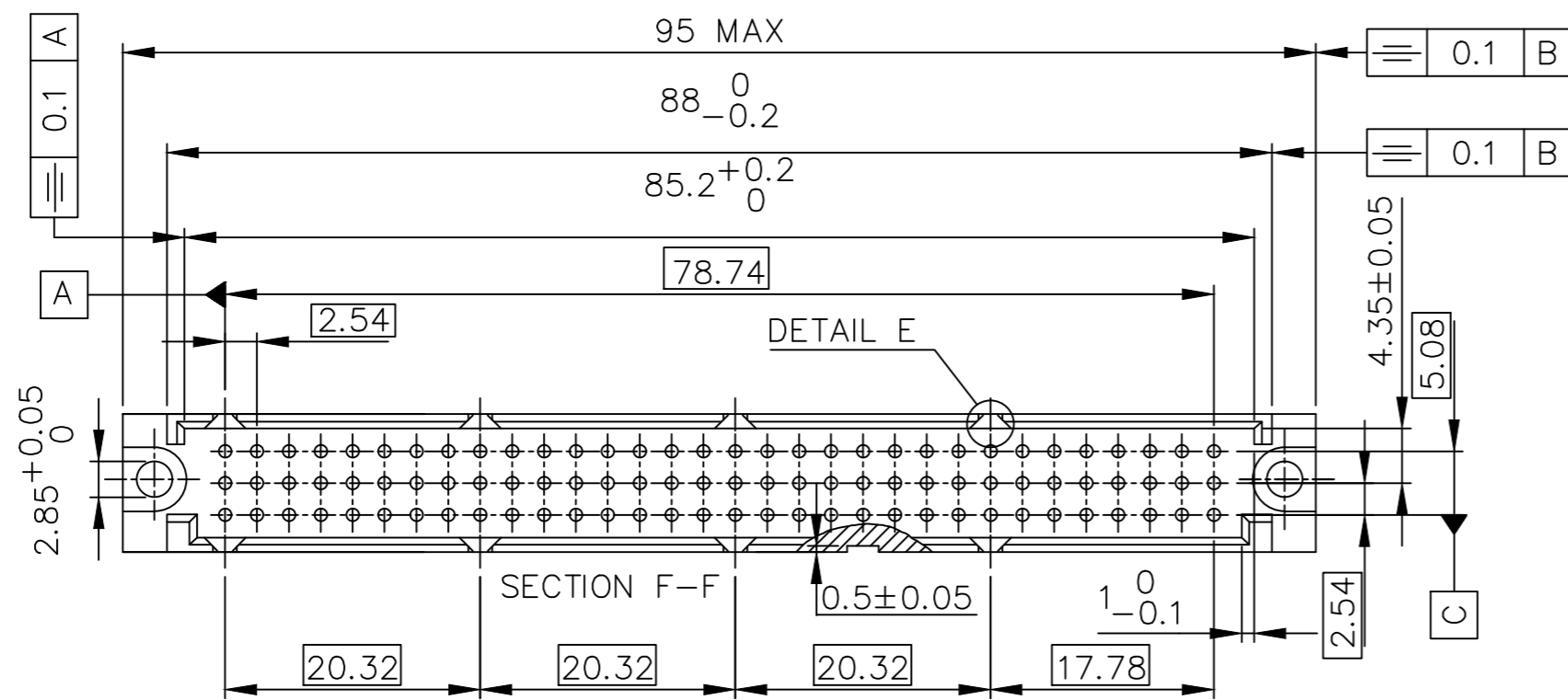


PRODUCT NUMBER	REMARKS
65191-001	see sheet 1
65191-002	see sheet 2



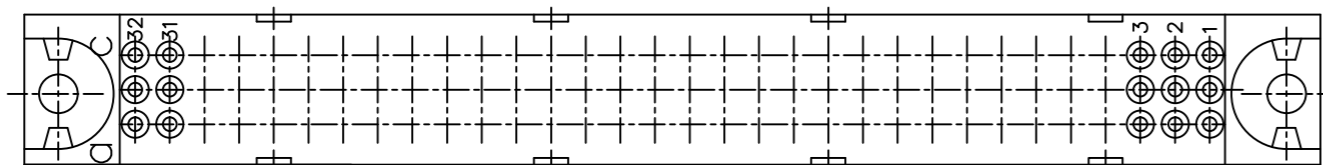
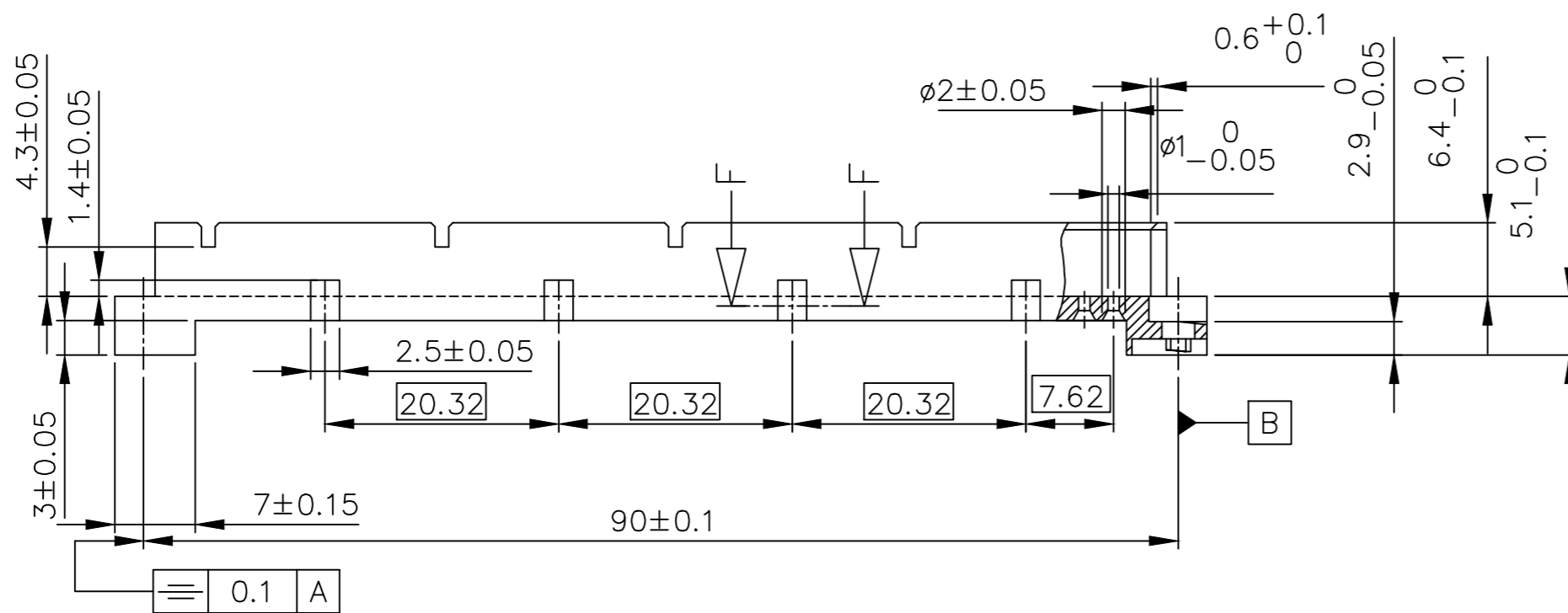
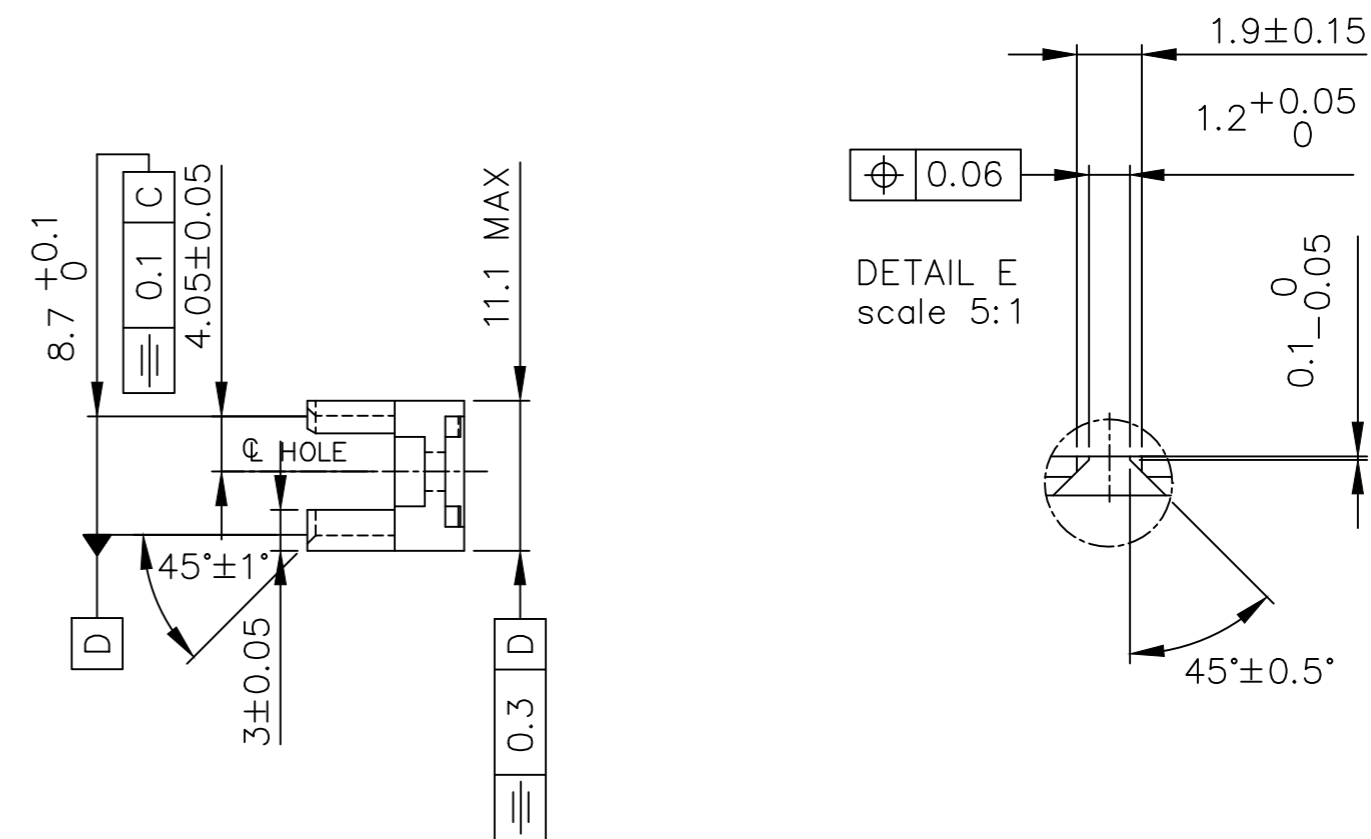
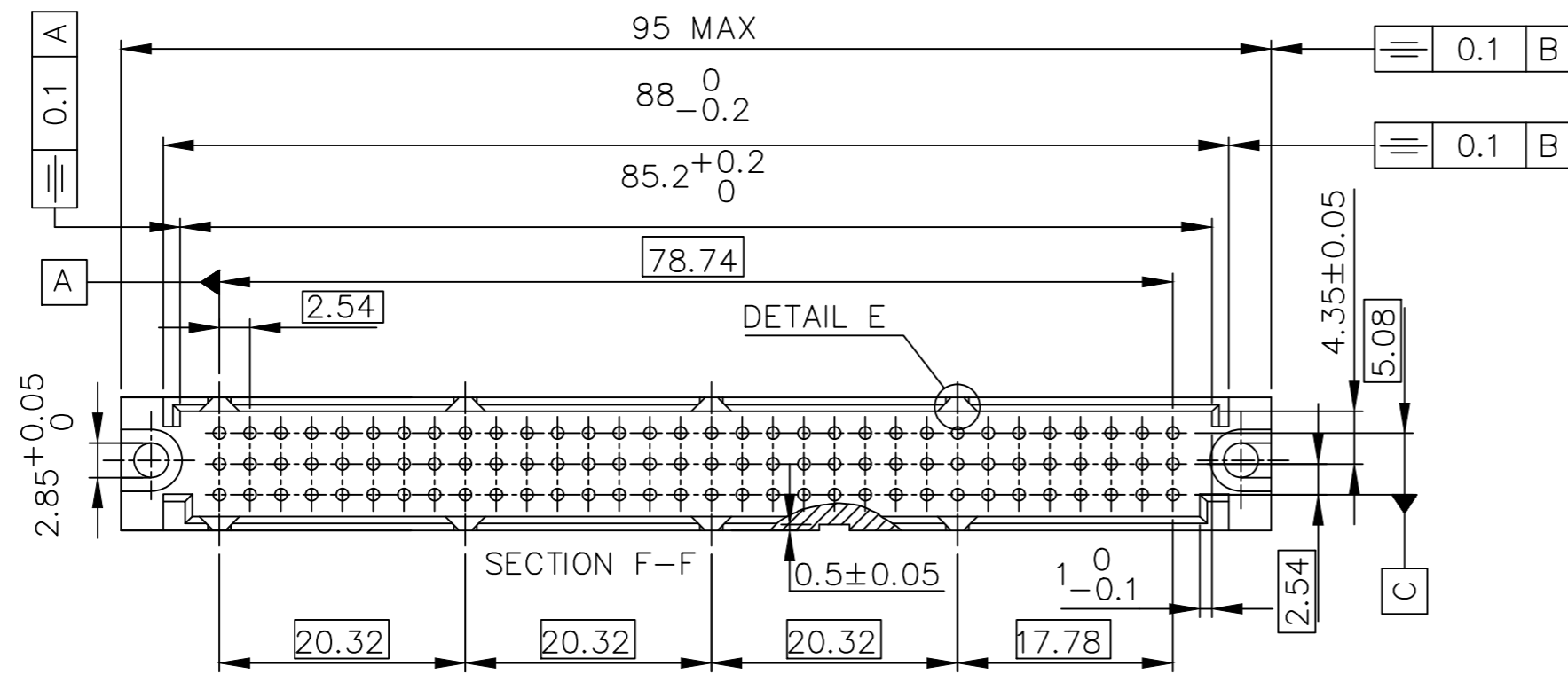
THERMOPLASTIC POLYESTER; FLAME RETARDANT PER UL-94-V0; COLOUR: GREY

NOTES:-

- THIS PRODUCT MEETS EUROPEAN UNION DIRECTIVES AND OTHER COUNTRY REGULATIONS AS DESCRIBED IN GS-22-008.
- LEADFREE OR RoHS DIRECTIVE LABELLING TO BE PROVIDED AS PER GS-14-920.
- " LF " SUFFIX TO PRODUCT NUMBER FOR RoHS COMPATIBLE/ LEADFREE VERSION.
- PARTS WITH AND WITHOUT " LF " SUFFIX ARE FORM-FIT AND FUNCTIONALLY IDENTICAL. " LF " SUFFIX PROVIDED FOR PART NUMBER STANDARDISATION OF PART THAT MEETS RoHS REQUIREMENTS.

mat'l. code SEE NOTE		surface ISO 1302 ✓	tolerance ISO 406 ISO 1101	projection ISO 1101	product family BACKPANEL
ltr	ecn no	dr	date	tolerances unless otherwise specified	title B.P SHROUD
K	H70344	DDB	1997-06-03	angles	mm
L	F00406	LLA	2000-05-22	linear	
M	105-0123	MINI	2005-07-27		scale -
N	105-0248	MINI	2005-11-22	dr	D.LEGRAND
P	106-0068	MINI	2006-06-01	enr	J.F.NOTTEAU
R	111-0139	MJA	2011-07-18	chr	RAKHEE GEORGE
		appd	RAKHEE GEORGE	2006-06-01	
sheet index	revision sheet	R	G		dwg no 65191
		1	2		sheet 1 of 2
					size A2
					type Product Customer Drawing

PRODUCT NUMBER 65191-002



THERMOPLASTIC POLYESTER; FLAME RETARDANT PER UL-94-V0; COLOUR: GREY

NOTES:-

1. THIS PRODUCT MEETS EUROPEAN UNION DIRECTIVES AND OTHER COUNTRY REGULATIONS AS DESCRIBED IN GS-22-008.
2. LEADFREE OR RoHS DIRECTIVE LABELLING TO BE PROVIDED AS PER GS-14-920.
3. " LF " SUFFIX TO PRODUCT NUMBER FOR RoHS COMPATIBLE/ LEADFREE VERSION.
4. PARTS WITH AND WITHOUT "LF" SUFFIX ARE FORM-FIT AND FUNCTIONALLY IDENTICAL. " LF " SUFFIX PROVIDED FOR PART NUMBER STANDARDISATION OF PART THAT MEETS RoHS REQUIREMENTS.

mat'l. code SEE NOTE		surface ISO 1302 ✓	tolerance ISO 406 ISO 1101	projection mm	product family BACKPANEL
ltr	ecn no	dr	date	tolerances unless otherwise specified	title B.P SHROUD
C	H70344	DDB	1997-06-03	angles	
D	105-0123	MINI	2005-07-27	linear	dwg no 65191
E	105-0248	MINI	2005-11-22	scale -	
F	106-0068	MINI	2006-06-01	dr	sheet 2 of 2
G	111-0139	MJA	2011-07-18	enr	size A2
		chr	RAKHEE GEORGE	2006-06-01	type Product Customer Drawing
		appd	RAKHEE GEORGE	2006-06-01	
sheet index	revision sheet	1			

# Mouser Electronics

Authorized Distributor

Click to View Pricing, Inventory, Delivery & Lifecycle Information:

[FCI / Amphenol:](#)

[65191-001LF](#) [65191-002LF](#)