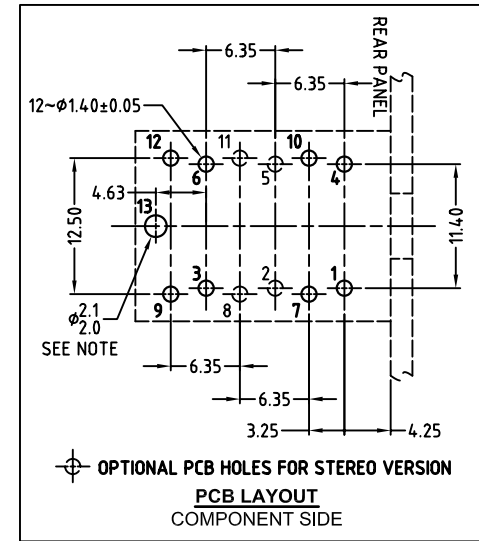
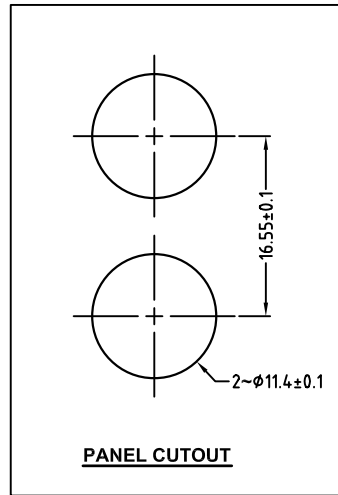
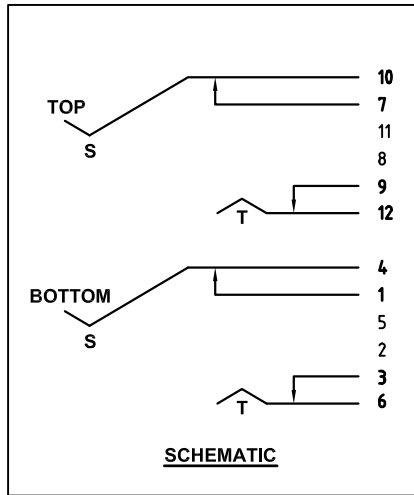
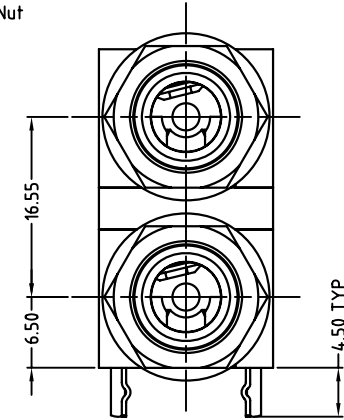
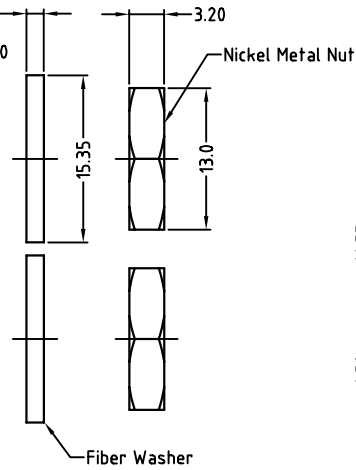
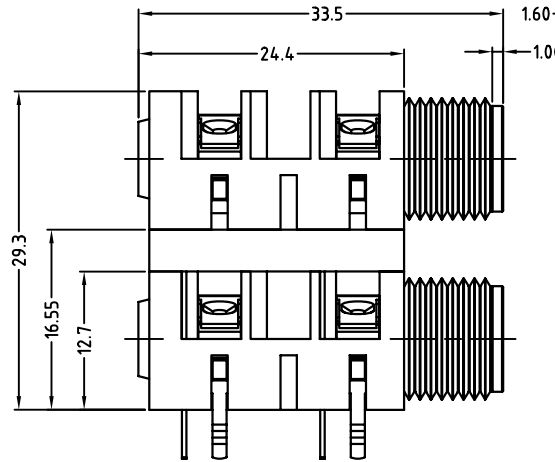
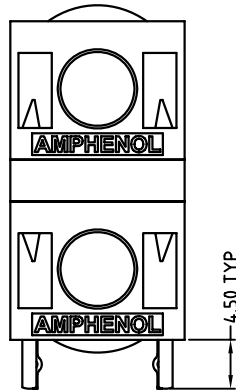


ISO VIEW
SCALE 1:1



NOTE: OPTIONAL MOUNTING HOLE FOR SELF-TAPPING M2 SCREW

UNLESS OTHERWISE SPECIFIED TOLERANCE TO BE		THIS DOCUMENT IS THE PROPERTY OF AMPHENOL AUSTRALIA PTY. LTD. NO PART THEREOF MAY BE REPRODUCED AND USED WITHOUT THE PRIOR WRITTEN CONSENT OF THE OWNER				0	FIRST ISSUE	L.V	14-06-06	----	
LINEAR	ANGULAR					REV.	CHANGE DETAILS	BY	DATE	CHG/No	
X ± 5 X.X ± 0.1 X.XX ± 0.05	X° ± 1° X°X' ± 30' X°X'X" ± 15'					CAD FILE: 55010376000120	DRN: L.V	DATE: 14-06-06	TITLE: 1/4 PHONE MONO DUAL JACK COMPACT ASSEMBLY DWG	Amphenol Amphenol Australia Pty.Ltd, 2 Fireweys Blvd, Keysborough, Vic3173	
BREAK ALL SHARP EDGES AND REMOVE ALL BURRS		MATL: REFER TO COMPONENT		CKD: M.N.H	DATE: 04-07-06			DRAWING NO.	SHEET		
DO NOT SCALE		FINISH: REFER TO COMPONENT		APP'D: P.M	DATE: 04-07-06			2 OF 2			
DIMENSIONS IN MILLIMETRES		THIRD ANGLE PROJECTION		SCALE: 2:1 UOS	PART No: ACJM-MHDC	SIZE: A3		55010376-000-2			

Mouser Electronics

Authorized Distributor

Click to View Pricing, Inventory, Delivery & Lifecycle Information:

[Amphenol:](#)

[ACJM-MHDC](#)