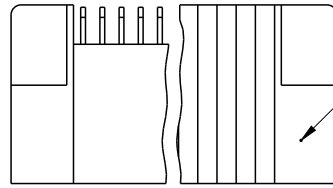
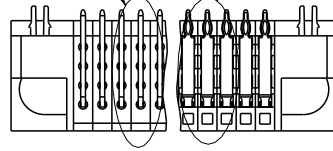


PRODUCT NUMBER

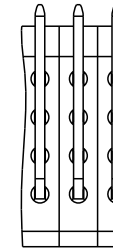
51966-A00CCC00EF_..

SEE NOTE 1

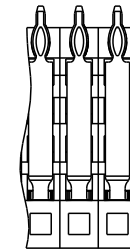
SEE DETAIL A SEE DETAIL B



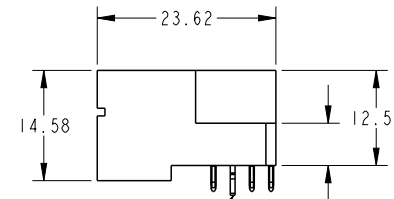
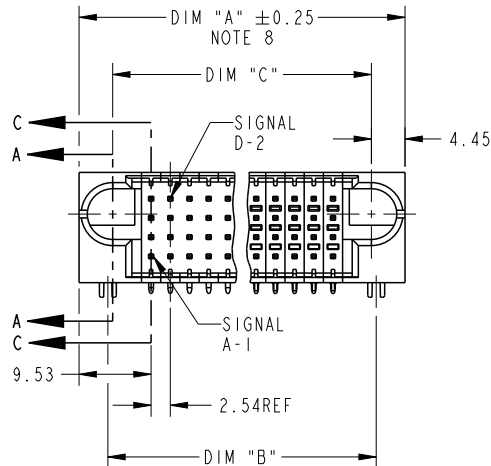
SEE NOTE 7



DETAIL A SCALE 2:1 FOR SOLDER TO BOARD ONLY



DETAIL B SCALE 2:1 FOR PRESS FIT ONLY



BOARD LOCK 2x IF SELECTED (SEE NOTE 6)

MOUNTING FOOT THICKNESS SEE NOTE 6

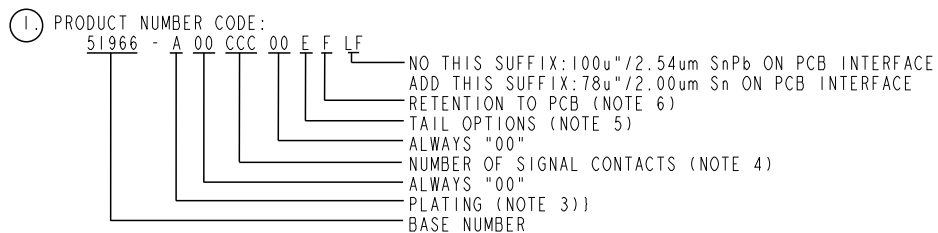


Copyright FCI.

spec ref	*	dr	Jerome Chen	2008/09/12	projection	MM	size	A4	scale	1:1
tolerance std	ASME Y14.5	eng	Ruan MT	2015/09/30			ecn no ELX-DG-21593-1			
TOLERANCES UNLESS OTHERWISE SPECIFIED		chr	Fancy Zhang	2015/09/30			product family PwrBlade		rel level Released	
surface	✓	appr	Pei-Ming Zheng	2015/09/30	product family PwrBlade		rel level Released		rev	
ASME Y14.5	linear	0.X	±0.5		title R/A HEADER WITH GUIDE PIN		dwg no 51966		rev E	
		0.XX	±0.25		SIGNAL					
		0.XXX	±0.100		cat. no.					
ASME Y14.5	angular	0°	±2°	www.fci.com	Product - Customer Drw		sheet 1 of 3			

PRODUCT NUMBER	DIM	LENGTH FORMULAS (SEE NOTE 8)
51966-A00CCC00EF--	DIM "A"	$2.54 \times (CCC/4) + 16.51$ (NOTE 8)
SEE NOTE 1	DIM "B"	$2.54 \times (CCC/4) + 8.89$
	DIM "C"	$2.54 \times (CCC/4) + 7.62$
	DIM "D"	$[2.54 \times (CCC/4) + 17.27$

CONNECTOR NOTES



- ② HOUSING MATERIAL: GLASS FILLED V-O HIGH TEMP THERMO PLASTIC.
 SIGNAL CONTACT MATERIAL: COPPER ALLOY
- ③ PLATING OPTION:
 1 = SEE PRINT 10064183 FOR PLATING SPEC OF 51966-100CCC00EF
 AND 51966-100CCC00EFLF RESPECTIVELY
- ④ SIGNAL CONTACTS, 004 TO 148 AVAILABLE.

- ⚠ ⑤ TAIL OPTIONS:
 A = 3.43 SOLDER TO BOARD
 B = 4.19 SOLDER TO BOARD
 C = 3.43 PRESS FIT
 D = 2.34 SOLDER TO BOARD

- ⑥ RETENTION TO PCB OPTIONS:
 A = BOARD LOCK (REQUIRES 2.49 +0.05, -0.03 THRU HOLE IN PCB).
 MOUNTING FOOT THICKNESS 5.59
 B = 3.81 THRU HOLE (REQUIRES 4.01±0.07 THRU HOLE IN PCB).
 MOUNTING FOOT THICKNESS 4.06
 MOUNTING HOLES, WHERE APPLICABLE, ARE UNPLATED.
- ⑦ MANUFACTURE'S NAME, P/N, AND DATE CODE
 TO APPEAR ON THIS SURFACE.
- ⑧ THE MAXIMUM OVERALL LENGTH (DIM A) OF A PART
 IS 203.2
9. PRODUCT SPECIFICATION GS-12-149
 APPLICATION SPECIFICATION BUS-20-067
10. REFERENCE 51697 FOR SELECT LOAD/FMLB WORKSHEET

PCB NOTES:

11. ALL DIMENSIONS ARE BASIC UNLESS OTHERWISE SPECIFIED.
 12. ALL THROUGH HOLES ARE LOCATED WITH A
 TRUE POSITION OF 0.10
 13. ALL HOLE DIAMETERS ARE FINISHED HOLE SIZE.
- ⑩ $\varnothing 1.151 \pm 0.025$ DRILLED HOLES PLATED WITH
 0.008 MIN SnPb or Sn OVER 0.03 TO 0.08
 Cu PLATING TO ACHIEVE A 1.02 ± 0.07 HOLE.

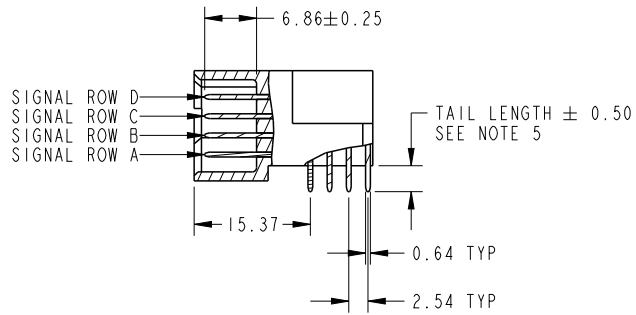
15. A ⚠ SYMBOL WILL BE NEXT TO ANY DIMENSION, VIEW, OR
 NOTE WHICH HAS BEEN MODIFIED WITH THE CURRENT
 DRAWING REVISION.
- ⚠ ⑩ CONNECTOR KEEP OUT ZONE

dr	Jerome Chen	2008/09/12	projection 	MM 	size	A4	scale	1:1
eng	Ruan MT	2015/09/30			ecn no	ELX-DG-21593-1		
chr	Fancy Zhang	2015/09/30			rel level	Released		
appr	Pei-Ming Zheng	2015/09/30	product family	PwrBlade		rev	E	
		title	R/A HEADER WITH GUIDE PIN SIGNAL			dwg no	51966	
www.fci.com		cat. no.	*	Product - Customer Drw			sheet 2 of 3	

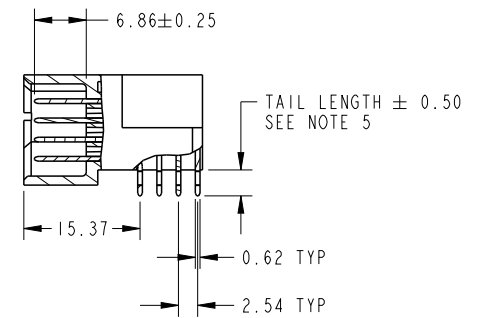
PRODUCT NUMBER

51966-A00CCC00EF_..

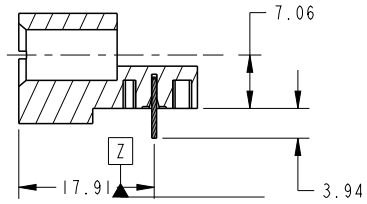
SEE NOTE 1



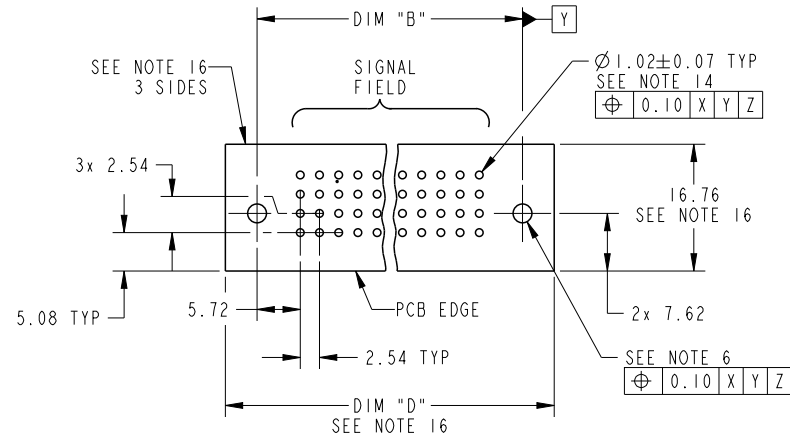
⚠ BROKEN-OUT SECTION C-C FOR SOLDER TO BOARD ONLY



⚠ BROKEN-OUT SECTION C-C FOR PRESS FIT ONLY



SECTION A-A



RECOMMENDED PCB LAYOUT

dr	Jerome Chen	2008/09/12	projection 	MM ←→	size	A4	scale	1:1
eng	Ruan MT	2015/09/30			ecn no	ELX-DG-21593-1		
chr	Fancy Zhang	2015/09/30			rel level	Released		
appr	Pei-Ming Zheng	2015/09/30	product family	PwrBlade				
		title	R/A HEADER WITH GUIDE PIN		dwg no	51966		rev
www.fci.com		cat. no.	*	Product - Customer Drw	sheet 3 of 3		E	



Copyright FCI.

Mouser Electronics

Authorized Distributor

Click to View Pricing, Inventory, Delivery & Lifecycle Information:

[FCI / Amphenol:](#)

<u>51966-10003200AALF</u>	<u>51966-10002000AALF</u>	<u>51966-10014800AALF</u>	<u>51966-10014400ABLF</u>	<u>51966-10001200AALF</u>
<u>51966-10010000ABLF</u>	<u>51966-10003200ABLF</u>	<u>51966-10000800ABLF</u>	<u>51966-10012800AALF</u>	<u>51966-10006800ABLF</u>
<u>51966-10001600ABLF</u>	<u>51966-10012000AALF</u>	<u>51966-10010000AALF</u>	<u>51966-10001600AALF</u>	<u>51966-10004000ABLF</u>
<u>51966-10009600ABLF</u>	<u>51966-10002400AALF</u>	<u>51966-10004400AALF</u>	<u>51966-10003600AALF</u>	<u>51966-10007600AALF</u>
<u>51966-10009200ABLF</u>	<u>51966-10006400AALF</u>	<u>51966-10005200ABLF</u>	<u>51966-10006000ABLF</u>	<u>51966-10004800ABLF</u>
<u>51966-10004000AALF</u>	<u>51966-10004800AALF</u>	<u>51966-10007200AALF</u>		