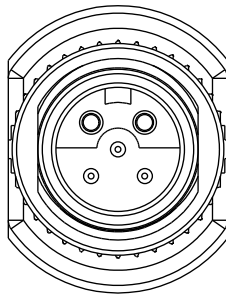
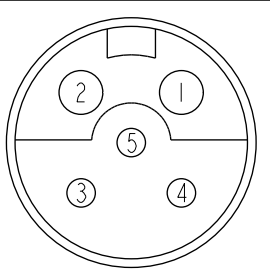
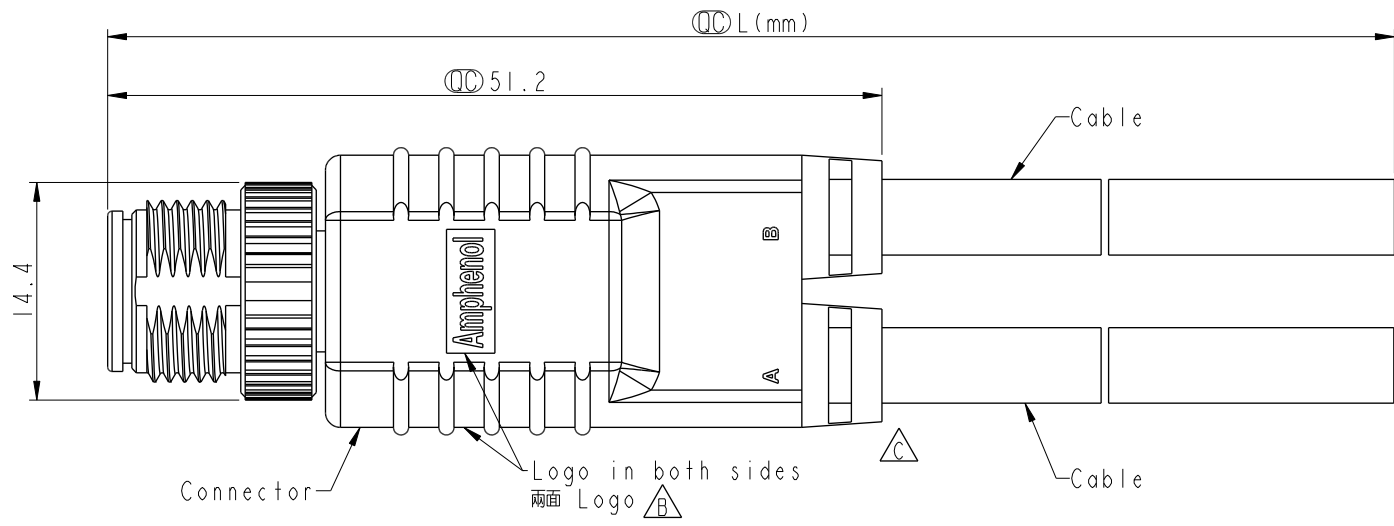


THIS DOCUMENT IS SUBJECT TO CHANGE WITHOUT NOTICE. IT IS CONFIDENTIAL AND A PROPERTY OF AMPHENOL LTW. DISCLOSURE TO THIRD PARTY HAS TO BE AUTHORIZED BY AMPHENOL LTW.

REV.	ECN NO.	DATE	SIGN	DESCRIPTION
B	LEN13B0165~68	2013/08/10	Cary	Change Logo To Amphenol
C	C230520	2023/04/24	Vicky	△C X5
D	C241128	2024/10/08	Vicky	△D XI



Conn.



5P

Pin Assignments Front View

Conn.	Wire Color	Pin Out
5	Green 綠	Green 綠
4	Black 黑	Black 黑
3	Blue 藍	Blue 藍
2	White 白	White 白
1	Brown 棕	Brown 棕
	A	B

SI-XX0000-K00-YSBXX

△C XX: No. Of Pin

XX: 01~99Meters
 01: 01Meters
 02: 02Meters
 ...
 99: 99Meters

- Note:
- * RoHS Compliant
 - * △C Important dimension
 - * △B △D Waterproof rate: IP68, mated 1m/24h
 - * Connector
 - Housing: Thermoplastic, Black
 - Pin: Copper alloy, Gold plated
 - Nut: Metal
 - Outer mold: Thermoplastic, Black
 - * Cable: Nonul, 22AWG*5C+FP, Black, PU Jacket, OD=5.0mm
 - * △B Cable length tolerance: 1M: +50/-0 mm
 1M < L ≤ 3M: +100/-0 mm
 3M < L ≤ 5M: +150/-0 mm
 5M < L ≤ 10M: ±100 mm
 10M < L ≤ 20M: ±200 mm
 20M < L ≤ 30M: ±300 mm
 30M < L ≤ 99M: ±500 mm

UNIT:mm		TITLE	ACC, SEN, A Code, Y ADA W/ CB M
TOLERANCE	±0.5mm	SCALE	2:1
		SIZE	A4
		SHEET	1 OF 1
		REV.	D
		WC-REV.	A.2
		△C	Inspection item

Amphenol LTW
 安費諾亮泰企業股份有限公司

ITEM NO	DRAWN BY	DATE
	Vicky	2024-10-08
DWG NO	CHECKED BY	DATE
△C SI-XX0000-K00-YSBXX	Rita	2024-10-08
CUSTOMER	APPROVED BY	DATE
ALTW	Fred	2024-10-08

Mouser Electronics

Authorized Distributor

Click to View Pricing, Inventory, Delivery & Lifecycle Information:

[Amphenol:](#)

[SI-050000-K00-YSB01](#) [SI-050000-K00-YSB10](#) [SI-050000-K00-YSB05](#) [SI-050000-K00-YSB02](#) [SI-050000-K00-](#)
[YSB04](#) [SI-050000-K00-YSB03](#)