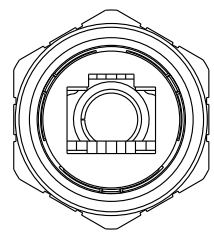
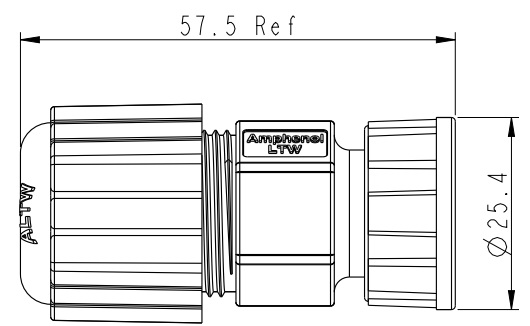
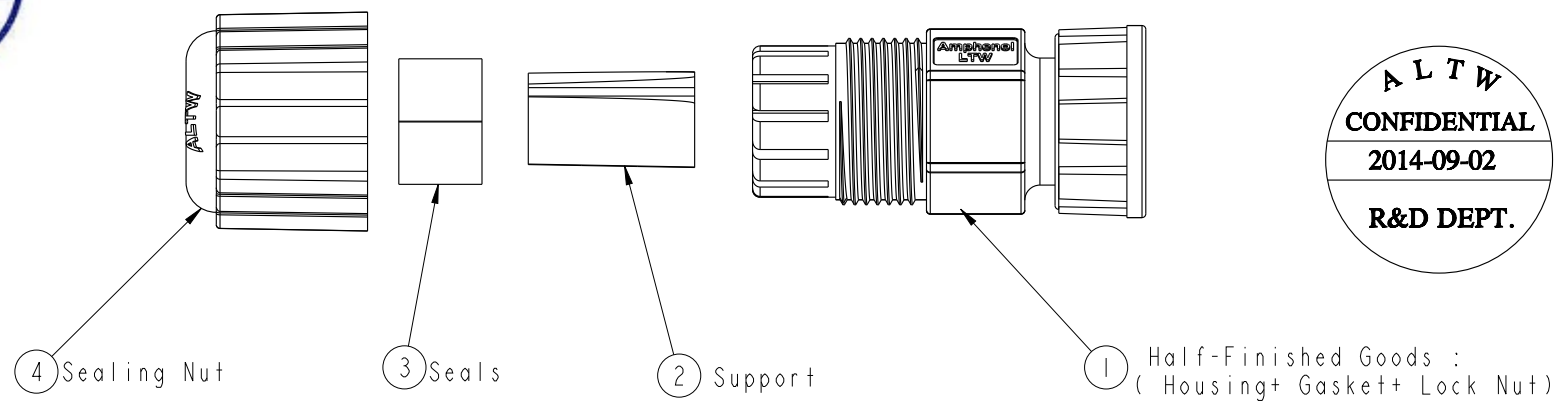
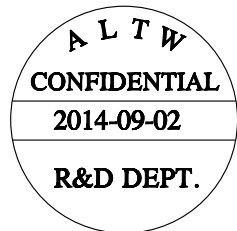


REV.	ECN NO.	DATE	SIGN	DESCRIPTION
B	LE31490141	2014-09-02	Joyy	Change to 94V0 material



- Note:
- * ⌀ Important Dimension
 - * Waterproof Rate : IP67 (Mated)
 - * Half-Finished Goods:
 - $\triangle B$ Housing : Nylon66,Black
 - Gasket : Silicone,Gray
 - Lock Nut : Nylon+GF,Black
 - $\triangle B$ * Support:PVC, Black
 - * Sealing Nut: FR50, BK505
 - * Seals: Silicone,Gray.
 - * Cable OD Range :5.0~6.5mm
 - * Sealing Nut Torsion Value Range: 8~15kgf-cm
 - * One Set Unassembled in One PE Bag.

UNIT : mm		
TOLERANCE		
.X	±0.25	
.XX	±0.1	
.XXX	±0.05	
ANGLES	±1°	

TITLE RJ45 FEED-THRU, 3T LOCK, C SIZE			
SCALE 1:1	SIZE A4	SHEET 1 OF 1	
REV. B	WC-REV. A.3	⌀ : Inspection item	

Amphenol LTW
安費諾亮泰企業股份有限公司

ITEM NO. RCP-00BMMS-TLM7001	DRAWN BY Joyy	DATE 2014-09-02
DWG NO. RCP-00BMMS-TLM7001	CHECKED BY Tom	DATE 2014-09-02
CUSTOMER ALTW	APPROVED BY VICTOR	DATE 2014-09-02

THIS DOCUMENT IS SUBJECT TO CHANGE WITHOUT NOTICE. IT IS CONFIDENTIAL AND A PROPERTY OF AMPHENOL LTW. DISCLOSURE TO THIRD PARTY HAS TO BE AUTHORIZED BY AMPHENOL LTW.

Mouser Electronics

Authorized Distributor

Click to View Pricing, Inventory, Delivery & Lifecycle Information:

[Amphenol:](#)

[RCP-00BMMS-TLM7001](#)