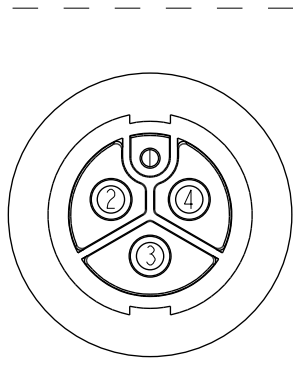
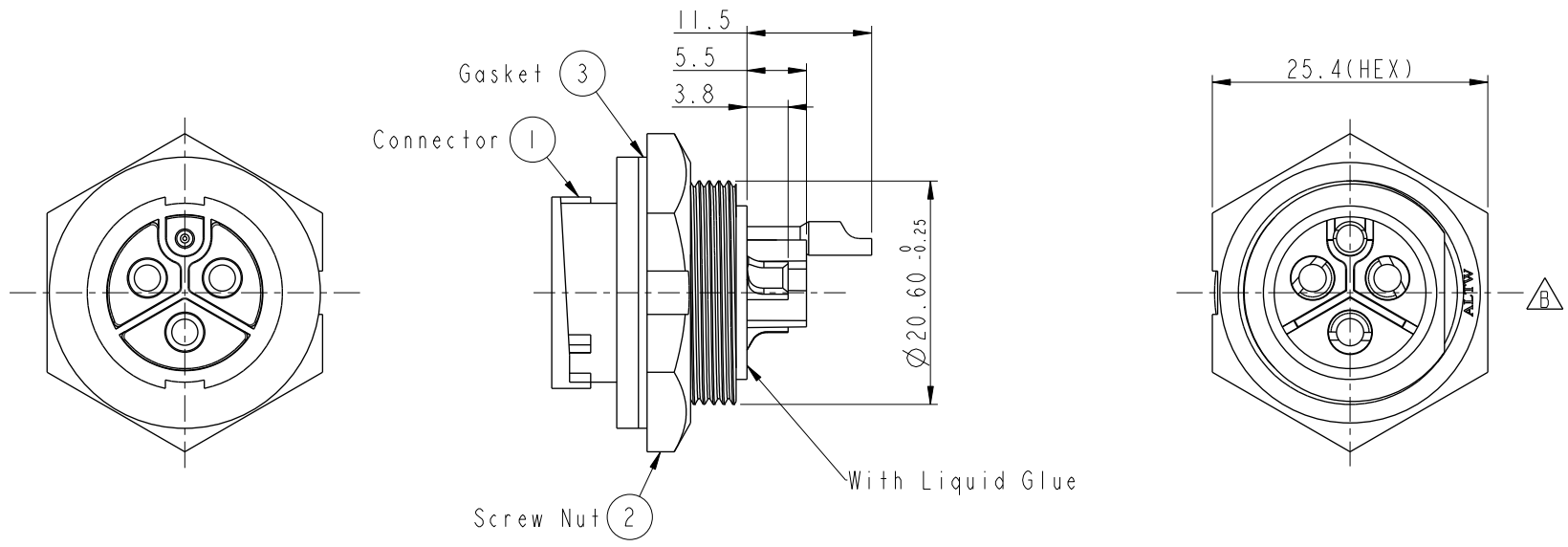
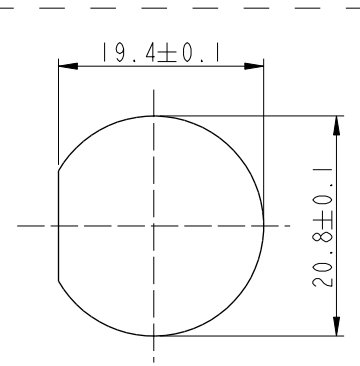


THIS DOCUMENT IS SUBJECT TO CHANGE WITHOUT NOTICE. IT IS CONFIDENTIAL AND A PROPERTY OF AMPHENOL LTW. DISCLOSURE TO THIRD PARTY HAS TO BE AUTHORIZED BY AMPHENOL LTW.

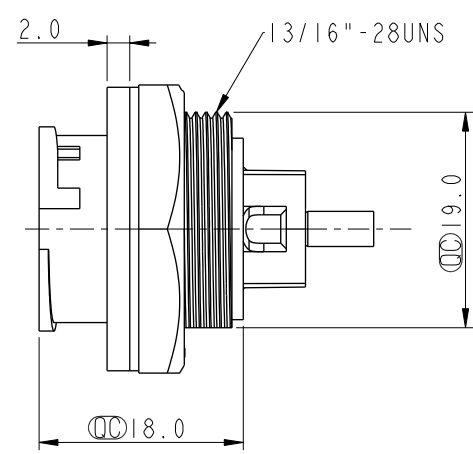
REV.	ECN NO.	DATE	SIGN	DESCRIPTION
B	C200524	2020/04/21	Vicky	△B*6



Pin Assignments  
Front View



Recommended  
Panel Cut-Out



- Note:
- \*  $\text{Ⓞ}$  Important Dimension To Check.
  - \*  $\triangle B$  Waterproof Rate: IP67, Unmated
  - \*  $\triangle B$  Connector: Thermoplastic, Black
  - \* Male Pin: Copper Alloy, Gold Plated
  - \*  $\triangle B$  Screw Nut: Thermoplastic, Black
  - \*  $\triangle B$  Gasket: Rubber, Gray
  - \* Maximum Panel Thickness: 4.5mm

UNIT:mm	$\text{Ⓞ}$	$\text{Ⓞ}$	TITLE PWR, 20+2A, 04P, REAR FASTENED M, M, SOLDER, 2LOCK	
TOLERANCE	.X ±0.25	.XX ±0.1	SCALE 3:2	SIZE A4
	.XXX ±0.05	ANGLES ±1°	REV. B	WC-REV. A.3
			SHEET 1 OF 1 $\text{Ⓞ}$ : Inspection item	

**Amphenol LTW**  
安費諾亮泰企業股份有限公司

ITEM NO PWCU-04RMMS-LC7001	DRAWN BY Enson Chen	DATE 2009-10-01
DWG NO PWCU-04RMMS-LC7001	CHECKED BY Tarry	DATE 2009-10-01
CUSTOMER ALTW	APPROVED BY Victor	DATE 2009-10-01

# Mouser Electronics

Authorized Distributor

Click to View Pricing, Inventory, Delivery & Lifecycle Information:

[Amphenol:](#)

[PWCU-04RMMS-LC7001](#)