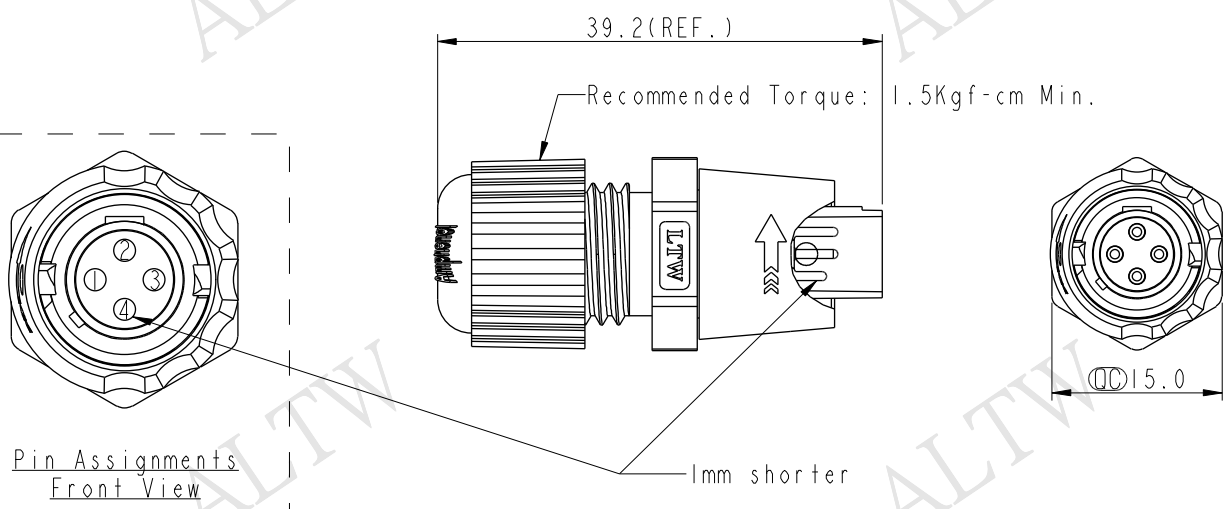
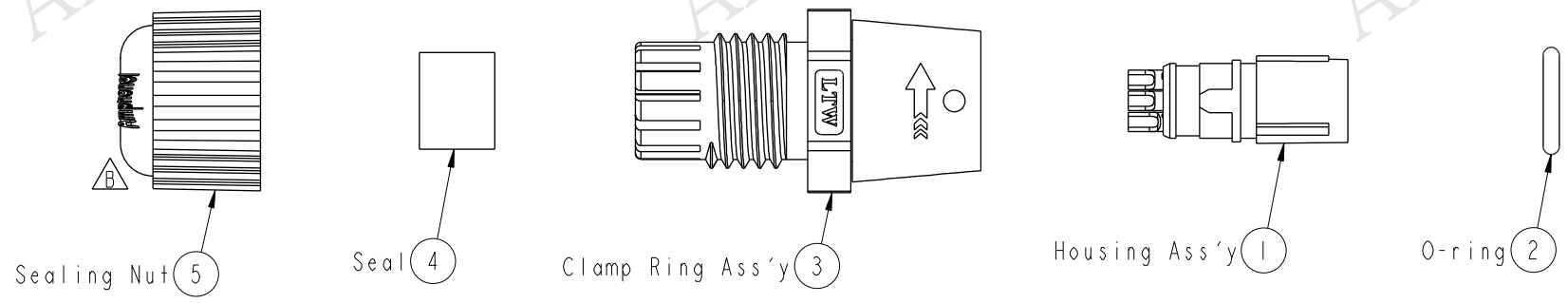


THIS DOCUMENT IS SUBJECT TO CHANGE WITHOUT NOTICE. IT IS CONFIDENTIAL AND A PROPERTY OF AMPHENOL LTW. DISCLOSURE TO THIRD PARTY HAS TO BE AUTHORIZED BY AMPHENOL LTW.

REV.	ECN NO.	DATE	SIGN	DESCRIPTION
A	Initial Release	2012/10/25	Ruru	PL12-04BFMA-QL7002 To PLD-04BFMA-QL7002
B	LEN1510154	2015/01/08	Vicky	Update Logo & Tolerance

ALTW
 CONFIDENTIAL
 2015-01-08
 R&D DEPT.

ALTW
 DCC. DEPT.
 CONFIDENTIAL
 2015.01.15
 ISSUED



- Note:
- * \varnothing Important Dimension To Check.
 - * Waterproof Rate: IP67.
 - * Housing: Nylon, UL 94V-0, Black.
 - * Male Pin: Copper Alloy, Gold Plated.
 - * Nut : Nylon+25%GF, UL 94V-0, Black.
 - * Clamp Ring: Nylon+GF, UL 94V-2, Black.
 - * Sealing Nut: Nylon+GF, UL 94V-2, Black.
 - * Rubber Parts: Silicone, UL 94V-0, Gray.
 - * Seals for Cable OD: $\varnothing 4.5\text{mm} \sim \varnothing 6.5\text{mm}$.
 - * Operating Voltage Max: AC 300 V Rms.
 - * Operating Current Max: 5A.
 - * One Set Unassembled In One Bag.

UNIT: mm TOLERANCE ± 0.5 mm		TITLE ASSY, PUSH LOCK, 4PIN F CONN M PIN		<h2 style="text-align: center;">Amphenol LTW</h2> <p style="text-align: center;">安費諾亮泰企業股份有限公司</p>		ITEM NO PLD-04BFMA-QL7002	DRAWN BY Vicky	DATE 2015-01-08
		SCALE 3:2	SIZE A4			DWG NO PLD-04BFMA-QL7002	CHECKED BY Sam	DATE 2015-01-08
		REV. B	WC-REV. A.2			CUSTOMER ALTW	APPROVED BY Rita	DATE 2015-01-08

Mouser Electronics

Authorized Distributor

Click to View Pricing, Inventory, Delivery & Lifecycle Information:

[Amphenol:](#)

[PLD-04BFMA-QL7002](#)