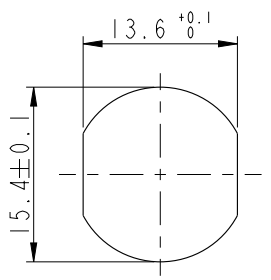


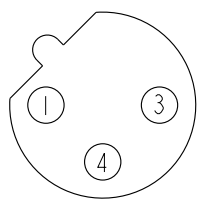
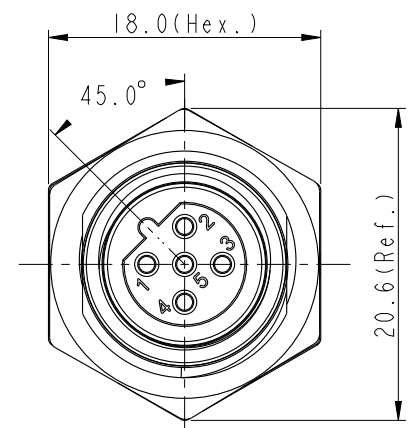
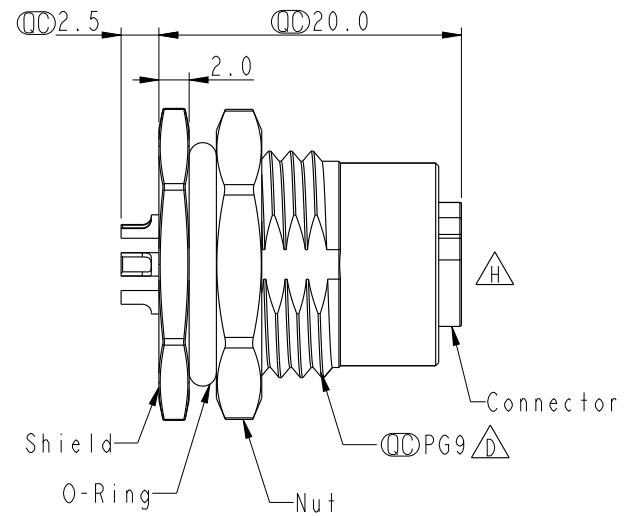
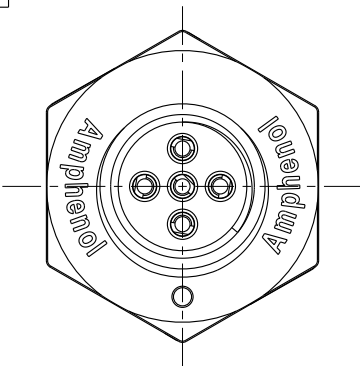
THIS DOCUMENT IS SUBJECT TO CHANGE WITHOUT NOTICE. IT IS CONFIDENTIAL AND A PROPERTY OF Amphenol LTW. DISCLOSURE TO THIRD PARTY HAS TO BE AUTHORIZED BY Amphenol LTW.

| REV. | ECN NO. | DATE       | SIGN  | DESCRIPTION |
|------|---------|------------|-------|-------------|
| F    | C221973 | 2022/12/22 | Ruru  | △F XI       |
| G    | C231034 | 2023/08/08 | Ruru  | △G XI       |
| H    | C241122 | 2024/10/26 | Henry | △H XI       |

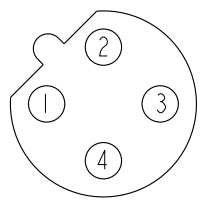


Recommended Panel Cut-Out

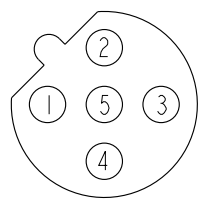
△B  
△D  
MI2B-XXPFFS-SF8001  
XX: No. Of Pin



3P



4P



5P

Pin Assignment Front View

- △D△E Note:
- \* RoHS Compliant
  - \* Ⓞ Important dimension
  - △F△C \* Waterproof rate: IP68, unmated 1m/24h
  - △G IP69K, mated
  - \* Connector
  - Housing: Thermoplastic, Black
  - Pin: Copper alloy, Gold plated
  - O-Ring: Rubber, Green
  - \* Shield: Metal
  - \* Nut: Metal
  - \* O-Ring: Rubber, Black
  - \* For panel thickness max: 4.5mm
  - \* Nut is packed separately in pe bag

|   |              |                |  |
|---|--------------|----------------|--|
| UNIT: mm  |              |                | TITLE<br>N SEN, M12 B, SCREW RECEPTACLE, F, F, SOLDER △E |
| TOLERANCE<br>.X ±0.25<br>.XX ±0.1<br>.XXX ±0.05<br>ANGLES ±1° | SCALE<br>2:1 | SIZE<br>A4     | SHEET<br>1 OF 1  |
|   | REV.<br>H    | WC-REV.<br>A.5 | Ⓞ: Inspection item                                       |

**Amphenol LTW**  
安費諾亮泰企業股份有限公司

|                                |                     |                    |
|--------------------------------|---------------------|--------------------|
| ITEM NO.                       | DRAWN BY<br>Henry   | DATE<br>2024-10-26 |
| DWG NO.<br>△MI2B-XXPFFS-SF8001 | CHECKED BY<br>Jerry | DATE<br>2024-10-26 |
| CUSTOMER<br>ALTW               | APPROVED BY<br>Fred | DATE<br>2024-10-26 |

# Mouser Electronics

Authorized Distributor

Click to View Pricing, Inventory, Delivery & Lifecycle Information:

[Amphenol:](#)

[M12B-05PFFS-SF8001](#) [M12B-04PFFS-SF8001](#)