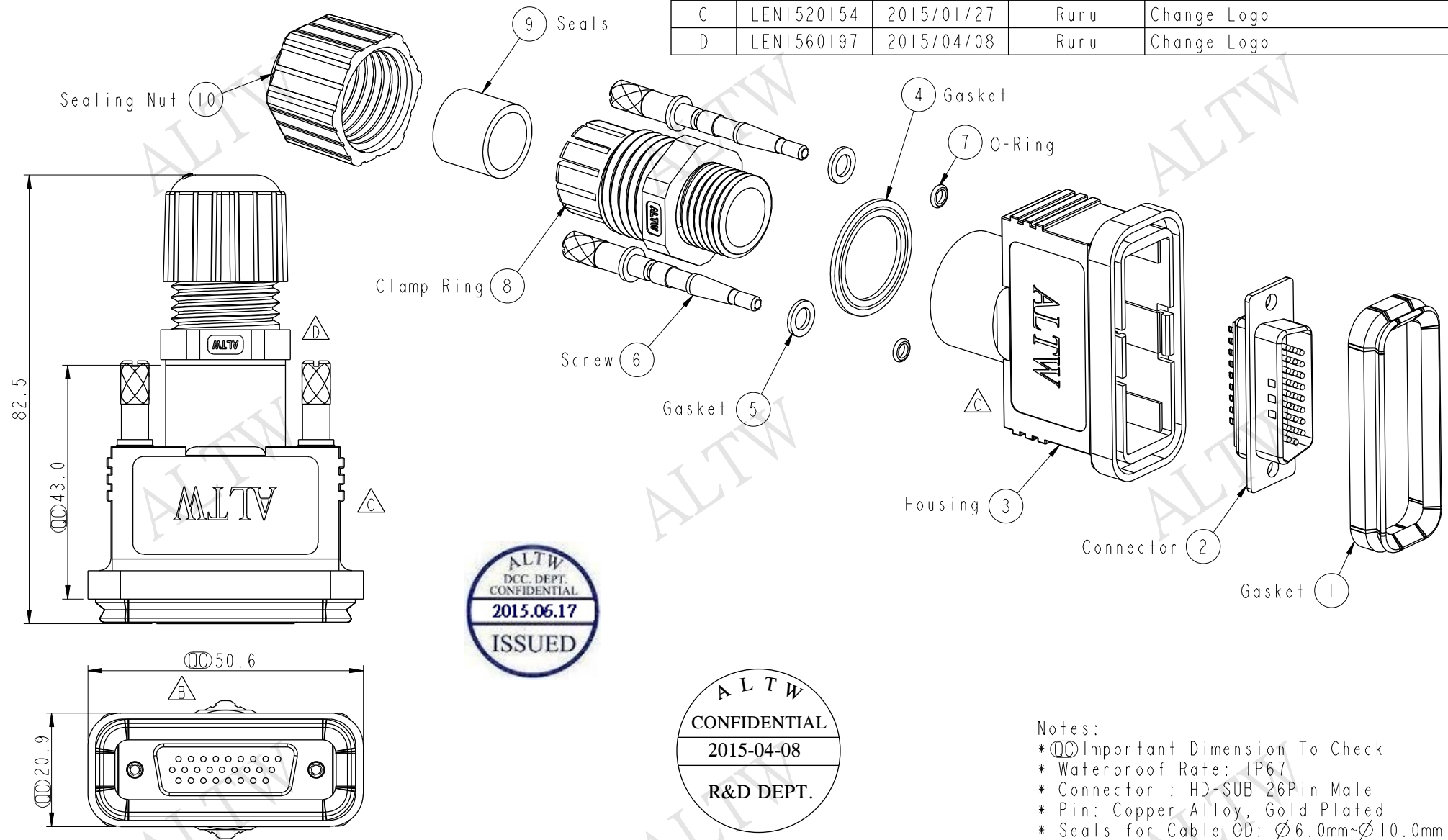


THIS DOCUMENT IS SUBJECT TO CHANGE WITHOUT NOTICE. IT IS CONFIDENTIAL AND A PROPERTY OF Amphenol LTW. DISCLOSURE TO THIRD PARTY HAS TO BE AUTHORIZED BY Amphenol LTW.

REV.	ECN NO.	DATE	SIGN	DESCRIPTION
B	LEN-770343	2007/07/16	Robert Hsu	Correct pin layout
C	LEN1520154	2015/01/27	Ruru	Change Logo
D	LEN1560197	2015/04/08	Ruru	Change Logo



- Notes:
- * \varnothing Important Dimension To Check
 - * Waterproof Rate: IP67
 - * Connector : HD-SUB 26Pin Male
 - * Pin: Copper Alloy, Gold Plated
 - * Seals for Cable OD: \varnothing 6.0mm- \varnothing 10.0mm
 - * One Set Unassembled in One PE Bag

UNIT: mm	
TOLERANCE	
.X	± 0.25
.XX	± 0.1
.XXX	± 0.05
ANGLES	$\pm 1^\circ$

TITLE HD-SUB Conn. Assy Screw HD26Pin M Conn. M Pin			
SCALE 1:1	SIZE A4	SHEET 1 OF 1	
REV. D	WC-REV. A.3	\varnothing : Inspection item	

Amphenol LTW
安費諾亮泰企業股份有限公司

ITEM NO. HDB-26BMM-A-SL7001	DRAWN BY Ruru	DATE 2015-04-08
DWG NO. HDB-26BMM-A-SL7001	CHECKED BY Rita	DATE 2015-04-08
CUSTOMER ALTW	APPROVED BY Lion	DATE 2015-04-08

Mouser Electronics

Authorized Distributor

Click to View Pricing, Inventory, Delivery & Lifecycle Information:

[Amphenol:](#)

[HDB-26BMMA-SL7001](#)