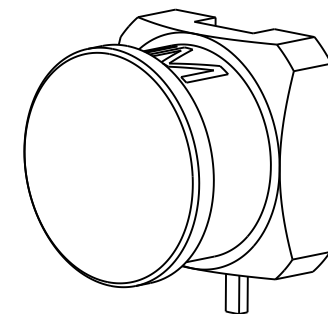


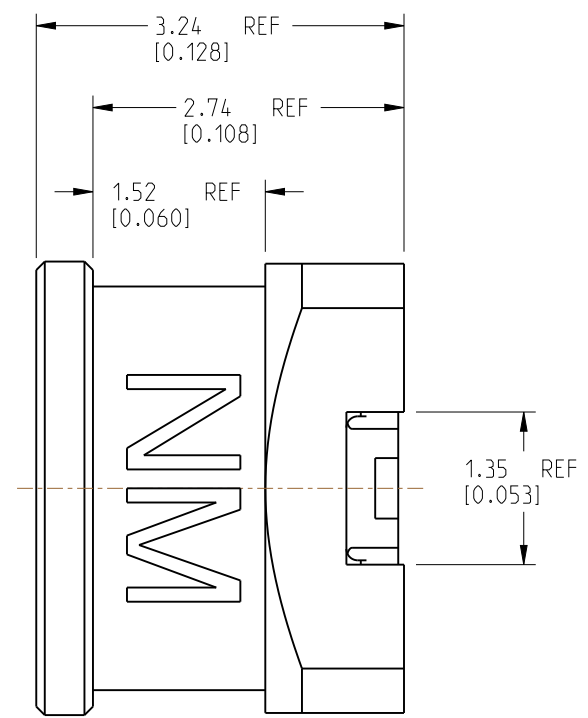
NOTES:

- MATERIALS AND FINISHES:**
 BODY AND CONTACT - BeCu, GOLD PLATING
 INSULATOR - LCP E130i, NATURAL
 CAP - PTFE, NATURAL
- ELECTRICAL:**
 A. IMPEDANCE: 50 OHM
 B. FREQUENCY RANGE: DC - 26.5 GHz
 C. VSWR (CONNECTOR ONLY): 1.15 MAX. @ DC - 10 GHz
 1.25 MAX. @ 10 - 26.5 GHz
 RESULTS WILL VARY BASED ON BOARD CONFIGURATION.
 D. DIELECTRIC WITHSTANDING VOLTAGE: 500 VRMS, MIN.
 E. INSULATION RESISTANCE: 1000 MΩ MIN.
- MECHANICAL:**
 A. DURABILITY: 500 CYCLES MIN.
 B. TEMPERATURE RANGE: -65°C TO +165°C
- PACKAGING:**
 A. QUANTITY: 50 PIECES TRAY
 B. MARKING: TRAY TO BE MARKED
 "AMPHENOL RF, 925-NM197J-51P AND DATE CODE"

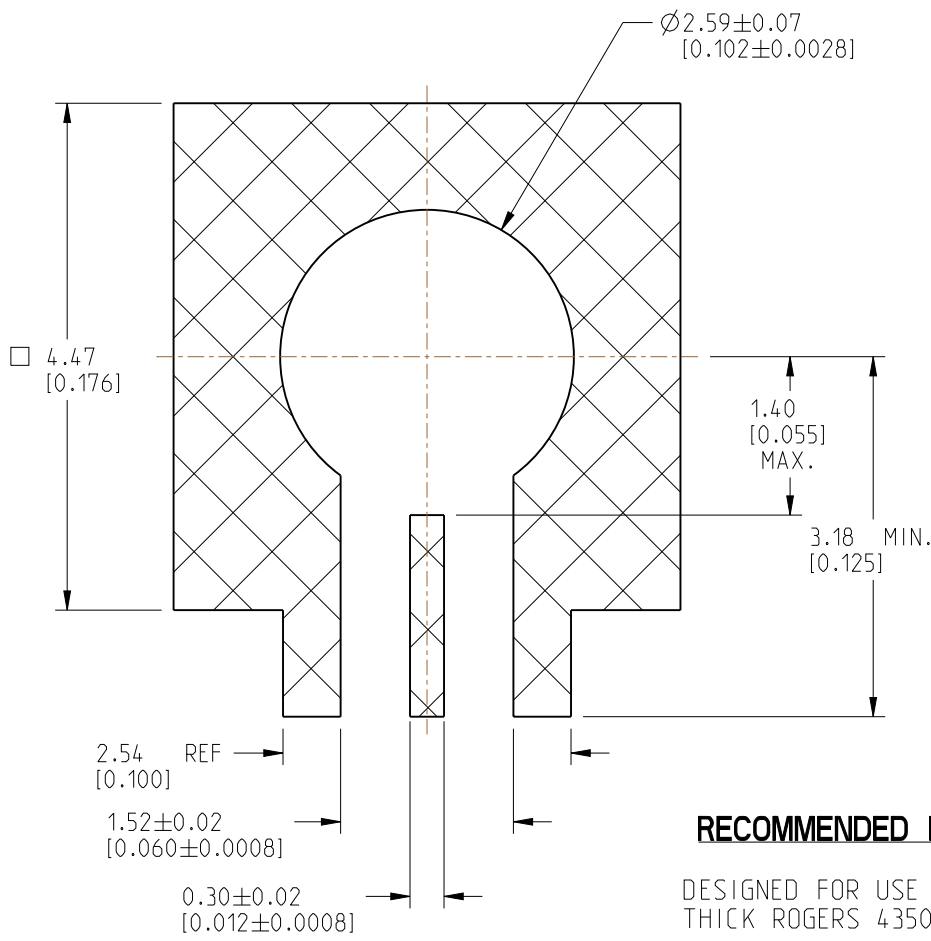
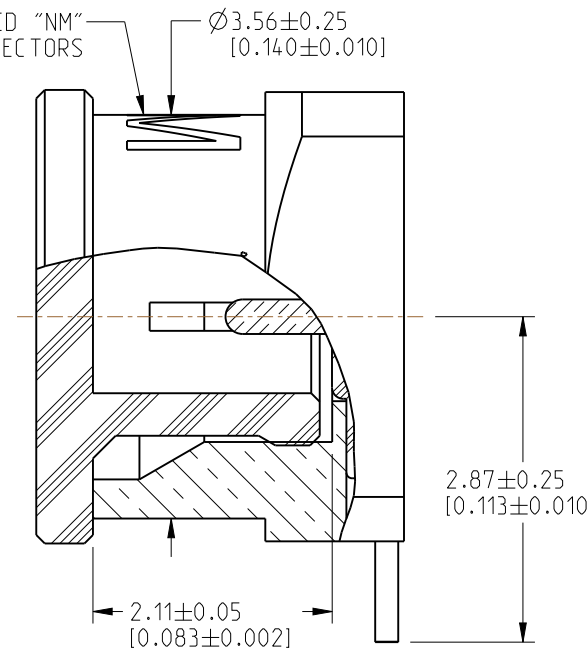
| REVISIONS | | | | |
|-----------|-----------------|-----------|-------|----|
| REV | DESCRIPTION | DATE | ECN | BY |
| A | RELEASE TO MFG. | 10-JUL-24 | 17097 | SH |



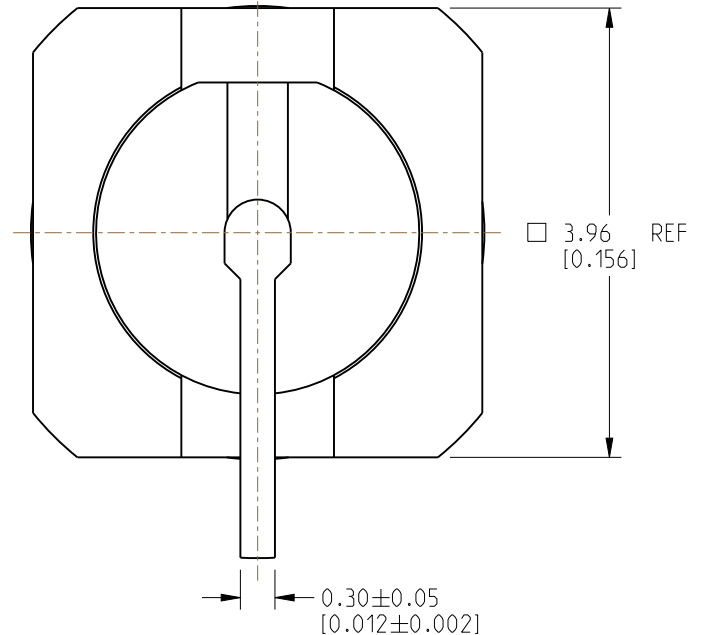
SCALE 8.000



THIS SURFACE MARKED "NM"
TO SIGNIFY NON-MAGNETIC CONNECTORS



RECOMMENDED PCB LAYOUT
 DESIGNED FOR USE WITH 0.0100"
 THICK ROGERS 4350 PCB MATERIAL
 THESE DIMENSIONS MAY VARY
 DEPENDING ON PCB MATERIAL USED



CUSTOMER OUTLINE DRAWING
 ALL OTHER SHEETS ARE FOR INTERNAL USE ONLY

| | | | | | | | | | | | | | | | | | | | | | | | | | | | | | | | | | | | | | | |
|--|--|--|--|--|--|-----------------------|--|--|---|--|--|--------------------|--|--|-------------------|--|--|-------------------|--|--|------------------|--|--|-----------------|--|--|----------------------------|--|--|-------------------------|--|--|-------------------------|--|--|----------|--|--|
| NOTICE: These drawings, specifications, or other data (1) are, and remain the property of Amphenol corp. (2) must be returned upon request; and (3) are confidential and not to be disclosed to any person other than those to whom they are given by Amphenol Corp. The furnishing of these drawings, specifications, or other data by Amphenol Corp., or to any other person to anyone for any purpose is not to be regarded by implication or otherwise in any manner licensing, granting rights to permitting such holder or any other person to manufacture, use or sell any product, process or design, patented or otherwise, that may in any way be related to or disclosed by said drawings, specifications, or other data. | | | UNLESS OTHERWISE SPECIFIED, DIMENSIONS ARE METRIC (INCHES) AND TOLERANCES ARE: <0.5mm = ±0.05mm [-0.020 = ±0.002] 0.5 - 6mm = ±0.1mm [-0.020 - 0.236 = ±0.004] >6.00 - 30mm = ±0.2mm [-0.236 - 1.181 = ±0.008] >30.00 - 120mm = ±0.3mm [-1.181 - 4.725 = ±0.012] | | | MATERIAL SEE NOTES | | | TITLE SMPM STR JACK SMOOTH BORE SURFACE MOUNT NON-MAGNETIC | | | Amphenol RF | | | | | | | | | | | | | | | | | | | | | | | | | | |
| THIRD ANGLE PROJ. | | | REFERENCE 925-197J-51P | | | ENGR.# 9158 | | | ANGLES = ±1° | | | ENGR.1 E. HILL | | | ENGR.2 M.ZHANG | | | DATE 11-MAY-24 | | | SHEET NO. 2 OF 2 | | | SCALE: 15.0:1.0 | | | DRAWING NO. 925-NM197J-51P | | | ITEM NO. 925-NM197J-51P | | | PART NO. 925-NM197J-51P | | | REV A | | |

Mouser Electronics

Authorized Distributor

Click to View Pricing, Inventory, Delivery & Lifecycle Information:

[Amphenol:](#)

[925-NM197J-51P](#)