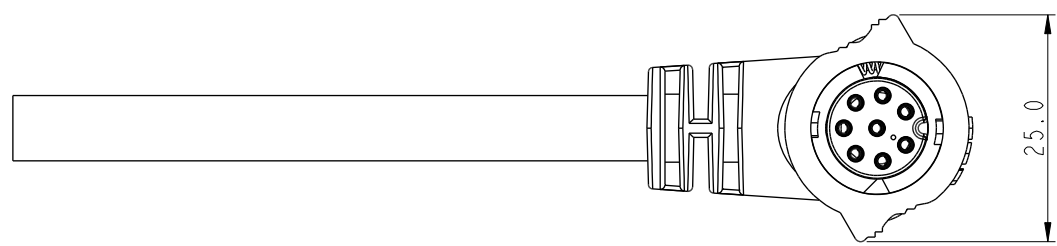
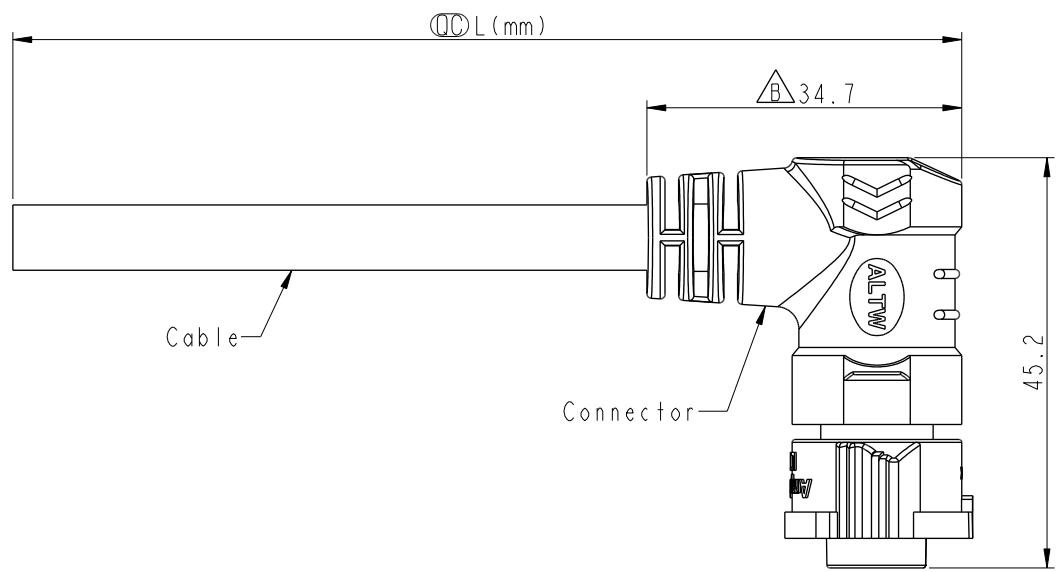


THIS DOCUMENT IS SUBJECT TO CHANGE WITHOUT NOTICE. IT IS CONFIDENTIAL AND A PROPERTY OF AMPHENOL LTW. DISCLOSURE TO THIRD PARTY HAS TO BE AUTHORIZED BY AMPHENOL LTW.

REV.	ECN NO.	DATE	SIGN	DESCRIPTION
B	LEN1720245	2017/02/15	Frank Deng	Change dimension from 34.0 to 34.7
C	C220466	2022/04/12	Ruru	$\triangle C$ X8
D	C230121	2023/02/06	Ruru	$\triangle D$ XI



Note: $\triangle C$

- * RoHS Compliant
- * $\text{\textcircled{C}}$ Important dimension
- * $\triangle D$ Waterproof rate: IP68, mated 1m/24h
- * Connector
- Housing: Thermoplastic, Black
- Pin: Copper Alloy, Gold Plated
- O-Ring: Rubber, Dark Gray
- Nut: Thermoplastic, Black
- Outer mold: Thermoplastic, Black
- * Cable: UL21388, PVC Jacket, Black
- * Cable length tolerance: 1M: +50/-0 mm
- 1M < L ≤ 3M: +100/-0 mm
- 3M < L ≤ 5M: +150/-0 mm
- 5M < L ≤ 10M: ±100 mm
- 10M < L ≤ 20M: ±200 mm
- 20M < L ≤ 30M: ±300 mm
- 30M < L ≤ 99M: ±500 mm

UNIT: mm	
TOLERANCE	± 0.5 mm

TITLE XLOK, B-5A, CABLE W/SR F, F, MOLDING, PUSH LOCK $\triangle C$			
SCALE 6:5	SIZE A4	SHEET 1 OF 2	
REV. D	WC-REV. A.1	$\text{\textcircled{C}}$: Inspection item	

Amphenol LTW
安費諾亮泰企業股份有限公司

ITEM NO.	DRAWN BY Frank Deng	DATE 2017-02-15
DWG NO. BD-XXAFFM-QR8DXX $\triangle C$	CHECKED BY Spring Liu	DATE 2017-02-15
CUSTOMER ALTW	APPROVED BY Kevin Hu	DATE 2017-02-15

		8	
	8P	7.2	20
	7P	6.8	
	6P		
	5P	6.2	
	4P	6.0	
	3P	5.5	
	2P		
Contacts	Cable OD	AWG	

△
BD-XXAFFM-QR8DXX

XX: No. Of Pin

XX: 01-99Meters
 01: 01Meter
 02: 02Meters
 :
 99: 99Meters



Pin Out	2		3		4		5		6		7		8																	
	2 Brown 棕	1 Black 黑	3 Red 紅	2 Brown 棕	1 Black 黑	4 Orange 橙	3 Red 紅	2 Brown 棕	1 Black 黑	6 Green 綠	5 Yellow 黃	4 Orange 橙	3 Red 紅	2 Brown 棕	1 Black 黑	7 Blue 藍	6 Green 綠	5 Yellow 黃	4 Orange 橙	3 Red 紅	2 Brown 棕	1 Black 黑	8 Purple 紫	7 Blue 藍	6 Green 綠	5 Yellow 黃	4 Orange 橙	3 Red 紅	2 Brown 棕	1 Black 黑
	Pin #	Wire	Pin #	Wire	Pin #	Wire	Pin #	Wire	Pin #	Wire	Pin #	Wire	Pin #	Wire	Pin #	Wire	Pin #	Wire	Pin #	Wire	Pin #	Wire	Pin #	Wire	Pin #	Wire	Pin #	Wire	Pin #	Wire
Conn.																														
	2P		3P		4P		5P		6P		7P		8P		8P		8P		8P		8P		8P		8P		8P		8P	

Pin Assignments Front View

UNIT:mm		TITLE XLOK, B-5A, CABLE W/SR F, F, MOLDING, PUSH LOCK △	Amphenol LTW 安費諾亮泰企業股份有限公司		ITEM NO	DRAWN BY Frank Deng	DATE 2017-02-15
TOLERANCE ±0.5 mm	SCALE 6:5	SIZE A4	SHEET 2 OF 2	REV. D	DWG NO BD-XXAFFM-QR8DXX △	CHECKED BY Spring Liu	DATE 2017-02-15
		WC-REV. A.1	QC: Inspection item		CUSTOMER ALTW	APPROVED BY Kevin Hu	DATE 2017-02-15

Mouser Electronics

Authorized Distributor

Click to View Pricing, Inventory, Delivery & Lifecycle Information:

[Amphenol:](#)

[BD-06AFFM-QR8D01](#) [BD-03AFFM-QR8D01](#) [BD-08AFFM-QR8D01](#) [BD-02AFFM-QR8D01](#) [BD-07AFFM-QR8D01](#)
[BD-04AFFM-QR8D01](#) [BD-05AFFM-QR8D01](#) [BD-03AFFM-QR8D04](#) [BD-03AFFM-QR8D02](#) [BD-03AFFM-QR8D03](#) [BD-](#)
[03AFFM-QR8D05](#) [BD-03AFFM-QR8D10](#) [BD-06AFFM-QR8D02](#) [BD-08AFFM-QR8D05](#) [BD-07AFFM-QR8D10](#) [BD-](#)
[02AFFM-QR8D10](#) [BD-07AFFM-QR8D05](#) [BD-02AFFM-QR8D02](#) [BD-04AFFM-QR8D05](#) [BD-08AFFM-QR8D04](#) [BD-](#)
[05AFFM-QR8D10](#) [BD-04AFFM-QR8D03](#) [BD-08AFFM-QR8D02](#) [BD-02AFFM-QR8D05](#) [BD-07AFFM-QR8D04](#) [BD-](#)
[05AFFM-QR8D05](#) [BD-07AFFM-QR8D02](#) [BD-07AFFM-QR8D03](#) [BD-08AFFM-QR8D10](#) [BD-02AFFM-QR8D04](#) [BD-](#)
[05AFFM-QR8D02](#) [BD-05AFFM-QR8D04](#) [BD-08AFFM-QR8D03](#) [BD-02AFFM-QR8D03](#) [BD-04AFFM-QR8D10](#) [BD-](#)
[06AFFM-QR8D10](#) [BD-04AFFM-QR8D04](#) [BD-06AFFM-QR8D05](#) [BD-04AFFM-QR8D02](#) [BD-06AFFM-QR8D04](#) [BD-](#)
[05AFFM-QR8D03](#) [BD-06AFFM-QR8D03](#)