

RMS and peak acceleration loop powered sensors

PCC420A series

Wilcoxon's PCC420A series sensors provide a 4-20 mA output proportional to vibration, allowing for continuous trending of overall machine vibration. This trend data alerts users to changing machine conditions and helps guide maintenance in prioritizing the need for service. The choice of RMS or peak output allows you to choose the sensor that best fits your requirements.



Table 1: PCC420Ax-yy-C model selection guide

x (4-20 mA output type)	yy (4-20 mA full scale)	C (output connector)
R = RMS output, acceleration P = calculated peak output, acceleration	05 = 5 g (49 m/sec ²) 10 = 10 g (98 m/sec ²) 20 = 20 g (196 m/sec ²) 50 = 50 g (490 m/sec ²)	R6 = 2 pin, MIL-C-5015 M12 = 4 pin, M12

Key features

- True RMS or calculated peak output
- Connector options: 2-pin MIL-C-5015 or 4-pin M12
- Easily integrated into existing process control systems
- Compact housing for applications with height restrictions
- Manufactured in an approved ISO 9001 facility

Certifications



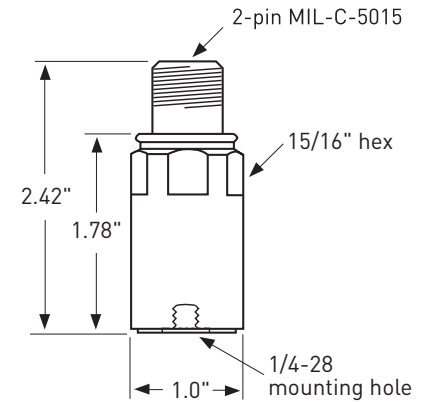
Note: Due to continuous process improvement, specifications are subject to change without notice. This document is cleared for public release.

RMS and peak acceleration loop powered sensors

PCC420A series

SPECIFICATIONS

Full scale, 20 mA, ±5%	see Table 1 on page 1	
Frequency response:	±10%	10 Hz - 1.0 kHz
	±3 dB	1.0 Hz - 2.0 kHz
Repeatability	±2%	
Transverse sensitivity, max	5%	
Power requirements, 2-wire loop power:		
Voltage at sensor terminals	12 - 30 VDC	
Loop resistance ¹ at 24 VDC, max	700 Ω	
Turn on time, 4-20 mA loop	< 30 seconds	
Grounding	case isolated, internally shielded	
Operating temperature range	-40° to +105° C	
Vibration limit	250 g peak	
Shock limit	2,500 g peak	
Sealing	hermetic	
Sensing element design	PZT, shear	
Weight	120 grams	
Case material	316L stainless steel	
Mounting	1/4-28 UNF tapped hole	
Output connector	2-pin MIL-C-5015 or 4-pin M12	
Mating connector	R6 type	
Recommended cabling	J9T2A	



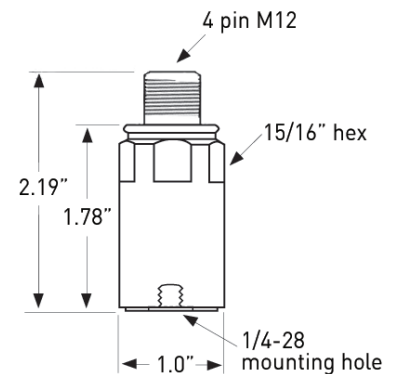
Function	Connector pin
loop positive (+)	A
loop negative (-)	B
ground	shell

Notes: ¹ Maximum loop resistance (R_L) can be calculated by: $R_L = \frac{V_{DC\ power} - 10\ V}{20\ mA}$

DC supply voltage	R_L (max resistance) ²	R_L (minimum wattage capability) ³
12 VDC	100 Ω	1/8 watt
20 VDC	500 Ω	1/4 watt
24 VDC	700 Ω	1/2 watt
26 VDC	800 Ω	1/2 watt
30 VDC	1,000 Ω	1/2 watt

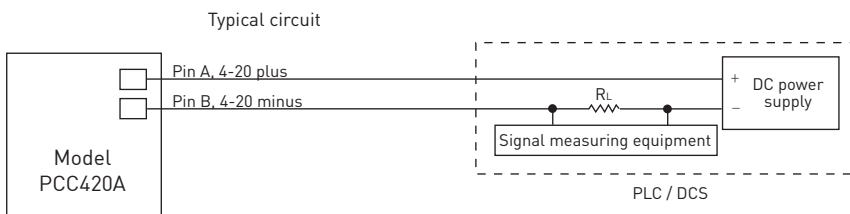
² Lower resistance is allowed, greater than 10 Ω recommended.

³ Minimum R_L wattage determined by: $(0.0004 \times R_L)$.



Function	Connector pin
loop positive (+)	1
loop negative (-)	2
N/C	3
N/C	4
ground	shell

Accessories supplied: SF6 mounting stud; calibration data (level 2)



Note: Due to continuous process improvement, specifications are subject to change without notice. This document is cleared for public release.

Mouser Electronics

Authorized Distributor

Click to View Pricing, Inventory, Delivery & Lifecycle Information:

[Amphenol:](#)

[PCC420AR-10-R6](#) [PCC420AP-05-M12](#) [PCC420AP-05-R6](#) [PCC420AP-10-M12](#) [PCC420AP-10-R6](#) [PCC420AP-20-M12](#) [PCC420AP-20-R6](#) [PCC420AP-50-M12](#) [PCC420AP-50-R6](#) [PCC420AR-05-M12](#) [PCC420AR-05-R6](#) [PCC420AR-10-M12](#) [PCC420AR-20-M12](#) [PCC420AR-20-R6](#) [PCC420AR-50-M12](#) [PCC420AR-50-R6](#)