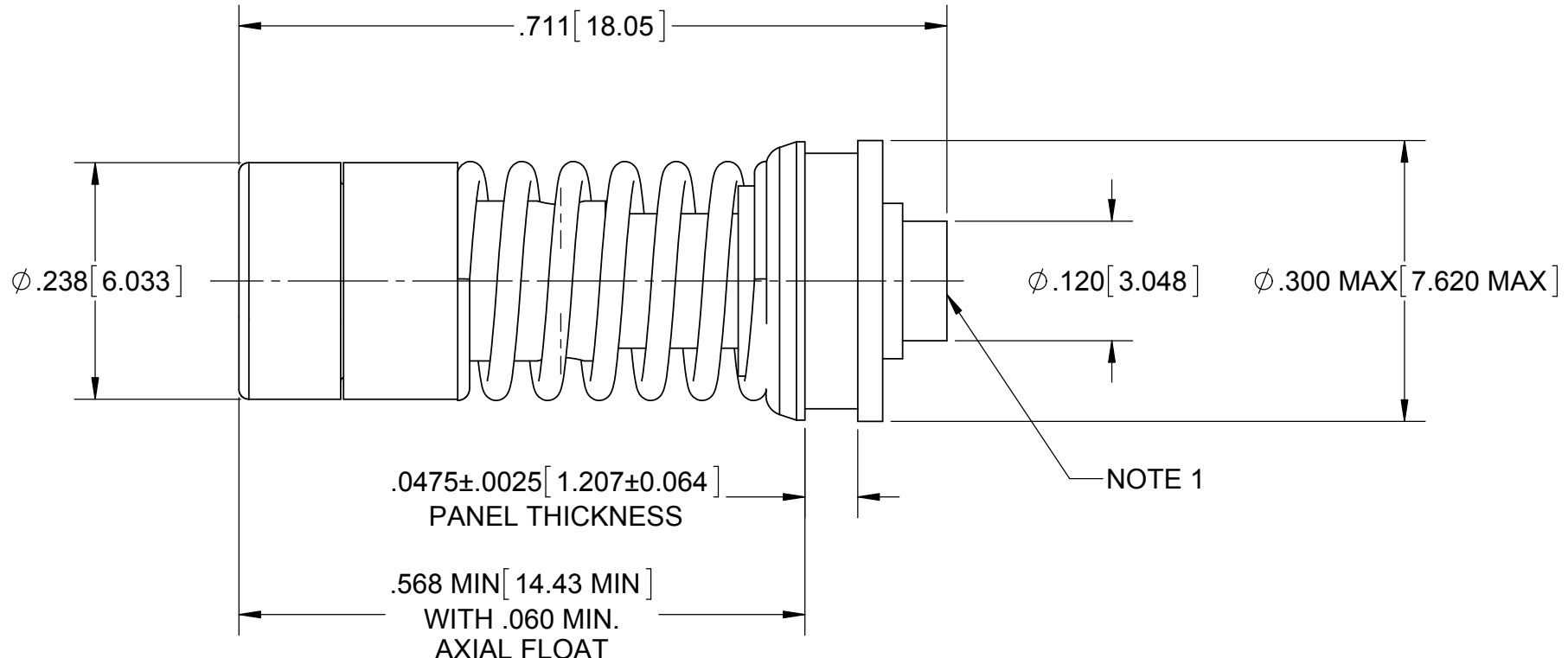
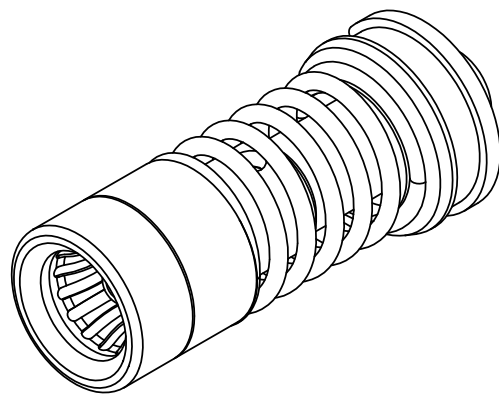


PRODUCT DATA DRAWING

REVISION HISTORY			
REV	DESCRIPTION	DATE	APPROVED
C	DCN 32895	03/05	BRT
D	DCN 42213	4/16	DAL



MATERIAL:

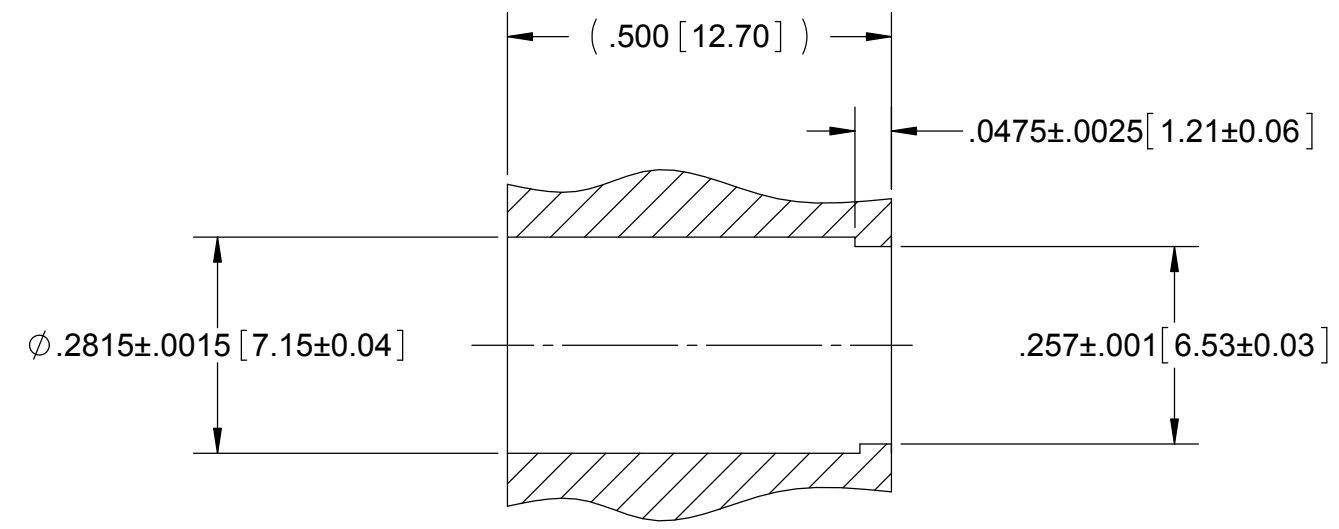
- BODY & INSERT:** STAINLESS STEEL PER AMS-5640, UNS S30300, TYPE 303
- CONTACT, SPRING CLIP, CONTACT SLEEVE:** BERYLLIUM COPPER PER ASTM B196 ALLOY UNS C17300, COND TD04
- SHIM SPRING, OUTER CONTACT:** BERYLLIUM COPPER PER ASTM B194 ALLOY UNS C17200, COND TD04
- COIL SPRING:** MUSIC WIRE PER ASTM A228
- E-RING:** STAINLESS STEEL PER ASTM A240 ALLOY UNS S30400, TYPE 304
- INSULATOR:** PTFE PER ASTM D1710, TYPE I, GRADE 1, CLASS B

FINISH:

- BODY, INSERT, SPRING CLIP, CONTACTS, SHIM SPRING:** GOLD PER ASTM B488, TYPE II, CODE C, CLASS 1.27; OVER NICKEL PER AMS-QQ-N-290, CLASS 1, .00005 MIN.
- COIL SPRING:** ZINC PER ASTM B633
- E-RING:** PASSIVATED PER AMS-QQ-P-35, TYPE II

PERFORMANCE:

- IMPEDANCE:** 50 OHMS
- FREQ. RANGE:** DC TO 28.0 GHz



MOUNTING HOLE

NOTES:
1. ACCEPTS .085 SEMI-RIGID CABLE OR T-FLEX 405 CABLE.

MATERIAL: SEE ABOVE	DIMENSIONS ARE IN INCHES TOLERANCES: FRACTIONAL: $\pm 1/64$ ANGULAR: X° $\pm 1'0''$ X°X' $\pm 15''$	UNLESS OTHERWISE SPECIFIED 1) ALL DIMENSIONS ARE AFTER PLATING. 2) BREAK CORNERS & EDGES .005 R. MAX. 3) CHAM. 1ST & LAST THREADS. 4) SURFACE ROUGHNESS 63 S MIL-STD-10. 5) DIA.'S ON COMMON CENTERS TO BE CONCENTRIC WITHIN .005 T.I.R. 6) REMOVE ALL BURRS	SV Microwave, Inc. 2400 Centrepark West Drive, Suite 100 West Palm Beach, FL 33409
FINISH: SEE ABOVE	DECIMAL: X $\pm .030$.XX $\pm .010$.XXX $\pm .005$	INTERPRET DIMENSIONS AND TOLERANCES PER ASME Y14.5M - 1994	TITLE: BMMA JACK FLOAT MOUNT
SURFACE AREA: N/A	THIRD ANGLE PROJECTION	DRAWN: VMJ 02/12/99	SIZE: B CAGE CODE: 95077 DWG. NO.: 1440-6001
PROPRIETARY THE INFORMATION CONTAINED IN THIS DRAWING IS THE SOLE PROPERTY OF SV MICROWAVE, INC. ANY REPRODUCTION IN PART OR AS A WHOLE WITHOUT THE WRITTEN PERMISSION OF SV MICROWAVE, INC IS PROHIBITED.		CHECKED: JM 02/14/99 APPROVED: JM 02/14/99	SCALE: 4:1 SHEET 1 OF 1

Mouser Electronics

Authorized Distributor

Click to View Pricing, Inventory, Delivery & Lifecycle Information:

[Amphenol:](#)

[1440-6001](#)