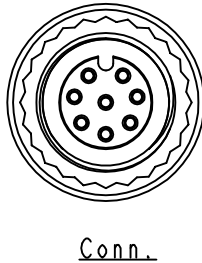
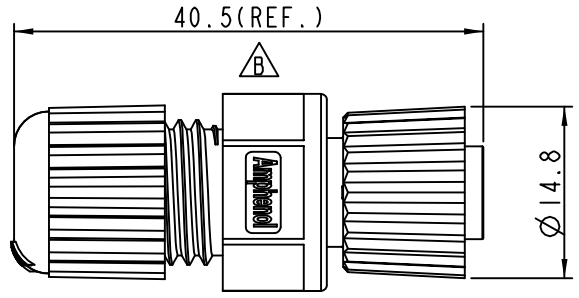
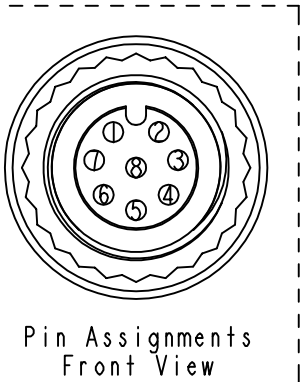
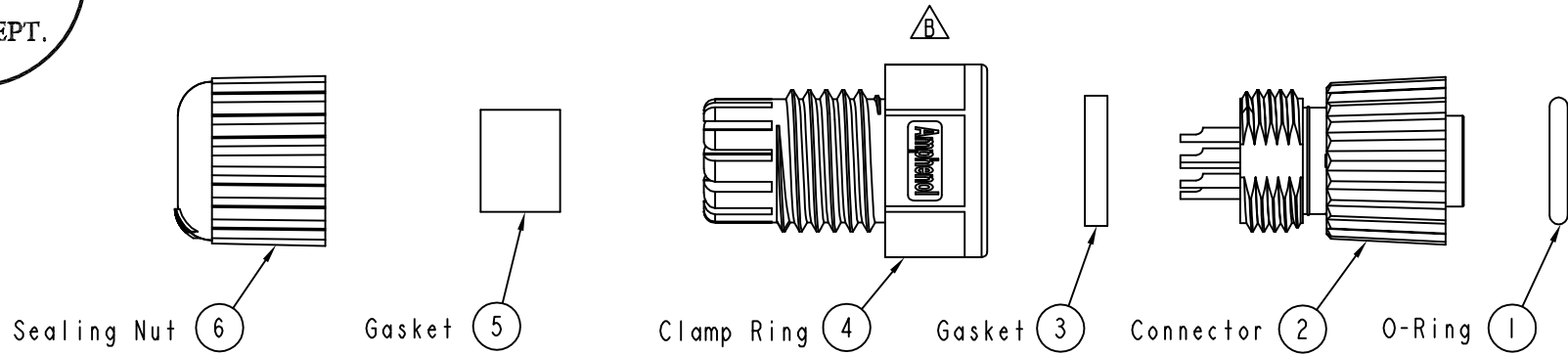


ALTW
CONFIDENTIAL
2014-08-12
R&D DEPT.

REV.	ECN NO.	DATE	SIGN	DESCRIPTION
B	LEN1480612	2014/08/12	Rita	Update Logo

ALTW
DCC. DEPT.
CONFIDENTIAL
2014.09.01
ISSUED



- Note:
- * \varnothing Important Dimension To Check.
 - * Waterproof Rate: IP68
 - * Housing: Black, Nylon+GF
 - * Pin: Copper Alloy, Gold Plated
 - * Nut: Black, Nylon+GF
 - * Ring: Green, Viton
 - * Gasket: Black, EPDM
 - * Clamp Ring: Black, Nylon
 - * Sealing Nut: Black, Nylon
 - * Seal: Black, EPDM
 - * Seal For Cable OD: \varnothing 4.5mm~ \varnothing 6.5mm

UNIT: mm

TOLERANCE	
.X	±0.25
.XX	±0.1
.XXX	±0.05
ANGLES	±1°

TITLE M12 Conn, Assy Screw 8Pin F Conn. F Pin			
SCALE	SIZE	SHEET	OF
3:2	A4	1	1
REV.	WC-REV.	\varnothing : Inspection item	
B	A.3		

Amphenol LTW
安費諾亮泰企業股份有限公司

ITEM NO	12P-08BFFA-SL8001
DWG NO	12P-08BFFA-SL8001
CUSTOMER	ALTW

DRAWN BY	Rita
CHECKED BY	Kris
APPROVED BY	Wenmao

DATE	2014-08-12
DATE	2014-08-12
DATE	2014-08-12

THIS DOCUMENT IS SUBJECT TO CHANGE WITHOUT NOTICE. IT IS CONFIDENTIAL AND A PROPERTY OF Amphenol LTW. DISCLOSURE TO THIRD PARTY HAS TO BE AUTHORIZED BY Amphenol LTW.

Mouser Electronics

Authorized Distributor

Click to View Pricing, Inventory, Delivery & Lifecycle Information:

[Amphenol:](#)

[12P-08BFFA-SL8001](#)