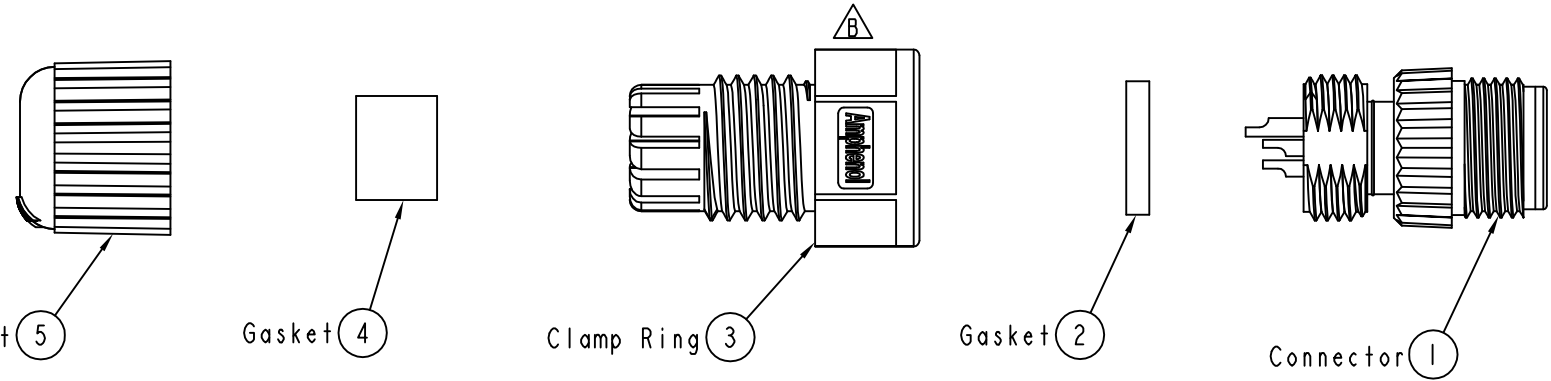


REV.	ECN NO.	DATE	SIGN	DESCRIPTION
B	LEN1480610	2014/08/12	Rita	Update Logo

ALTW
CONFIDENTIAL
2014-08-12
R&D DEPT.

ALTW
DCC. DEPT.
CONFIDENTIAL
2014.09.01
ISSUED



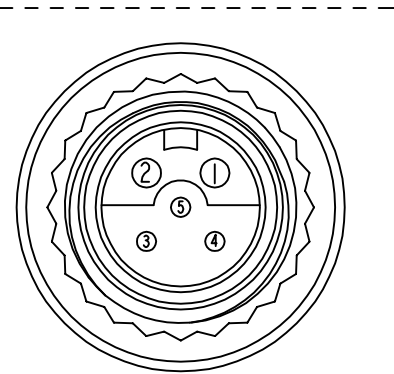
Sealing Nut ⑤

Gasket ④

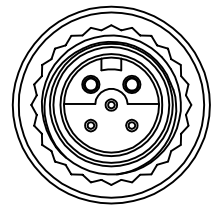
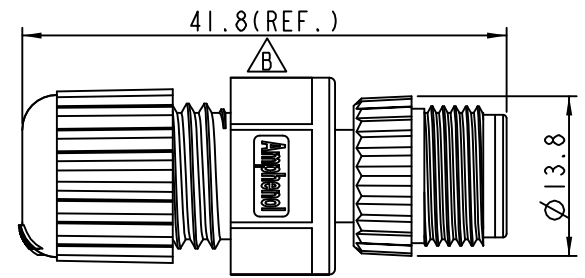
Clamp Ring ③

Gasket ②

Connector ①



Pin Assignments
Front View



Conn.

- Note:
- * \varnothing Important Dimension.
 - * Waterproof Rate: IP68
 - * Housing: Black, Nylon+GF
 - * Pin: Copper Alloy, Gold Plated
 - * Nut: Black, Nylon+GF
 - * Gasket: Black, EPDM
 - * Clamp Ring: Black, Nylon
 - * Sealing Nut: Black, Nylon
 - * Seal: Black, EPDM
 - * Seal For Cable OD: \varnothing 4.5mm~ \varnothing 6.5mm

UNIT: mm		
TOLERANCE	.X ±0.25	
	.XX ±0.1	
	.XXX ±0.05	
ANGLES	±1°	

TITLE M12 Conn, Assy Screw 5Pin M Conn. C Pin			
SCALE 3:2	SIZE A4	SHEET 1 OF 1	
REV. B	WC-REV. A.3	\varnothing : Inspection item	

Amphenol LTW
安費諾亮泰企業股份有限公司

ITEM NO 12P-05BM1A-SL8001	DRAWN BY Rita	DATE 2014-08-12
DWG NO 12P-05BM1A-SL8001	CHECKED BY Kris	DATE 2014-08-12
CUSTOMER ALTW	APPROVED BY Wenmao	DATE 2014-08-12

THIS DOCUMENT IS SUBJECT TO CHANGE WITHOUT NOTICE. IT IS CONFIDENTIAL AND A PROPERTY OF Amphenol LTW. DISCLOSURE TO THIRD PARTY HAS TO BE AUTHORIZED BY Amphenol LTW.

Mouser Electronics

Authorized Distributor

Click to View Pricing, Inventory, Delivery & Lifecycle Information:

[Amphenol:](#)

[12P-05BMIA-SL8001](#)