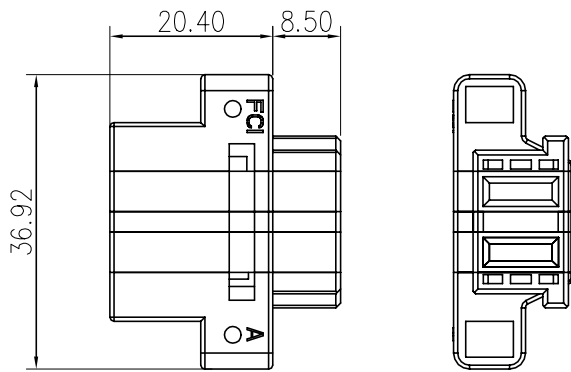
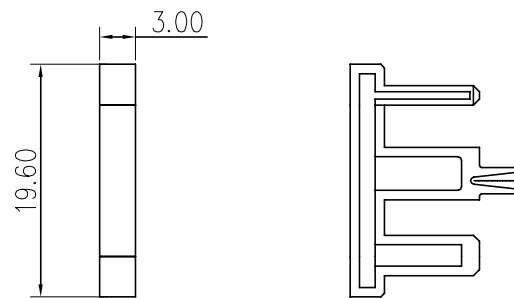


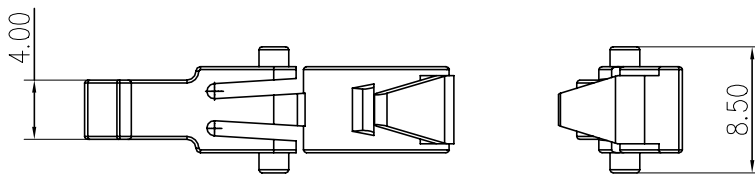
PRODUCT NUMBER
10131279-001



① 2P HOUSING



② SECONDARY LOCK KEY



③ LATCH 2PCS

2	PC	LATCH	3
1	PC	SECONDARY LOCK KEY	2
1	PC	2P PwrBlade CABLE CONN. HOUSING	1
Qty	Unit	Description	Item

spec ref	-	dr	Yong Zhang	2014-08-08	projection		size	A3	scale	N/A											
tolerance std	TOLERANCES UNLESS OTHERWISE SPECIFIED	eng	Yong Zhang	2014-08-08		MM	ecn no	-													
-		chr	Guo-Feng Jin	2014-08-08			rel level	-													
surface	<table border="1"> <tr> <td>linear</td> <td>0.X</td> <td>±-</td> </tr> <tr> <td></td> <td>0.XX</td> <td>±0.25</td> </tr> <tr> <td></td> <td>0.XXX</td> <td>±-</td> </tr> <tr> <td>angular</td> <td>0~</td> <td>±-'</td> </tr> </table>	linear	0.X	±-		0.XX	±0.25		0.XXX	±-	angular	0~	±-'	appr	Guo-Feng Jin	2014-08-08	product family			rev	A
linear	0.X	±-																			
	0.XX	±0.25																			
	0.XXX	±-																			
angular	0~	±-'																			
		www.fci.com	cat. no.	-	Customer Drawing	sheet 1 of 1	dwg no	10131279-001													

Mouser Electronics

Authorized Distributor

Click to View Pricing, Inventory, Delivery & Lifecycle Information:

[FCI / Amphenol:](#)

[10131279-001](#)