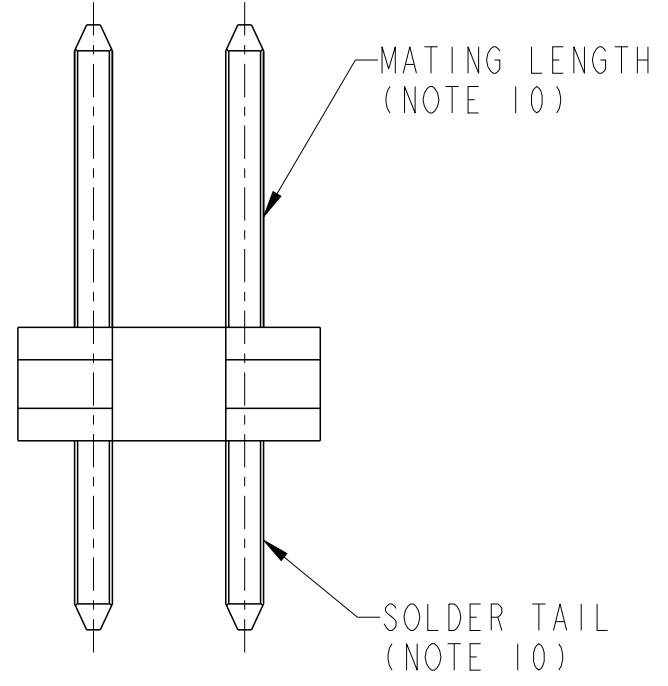
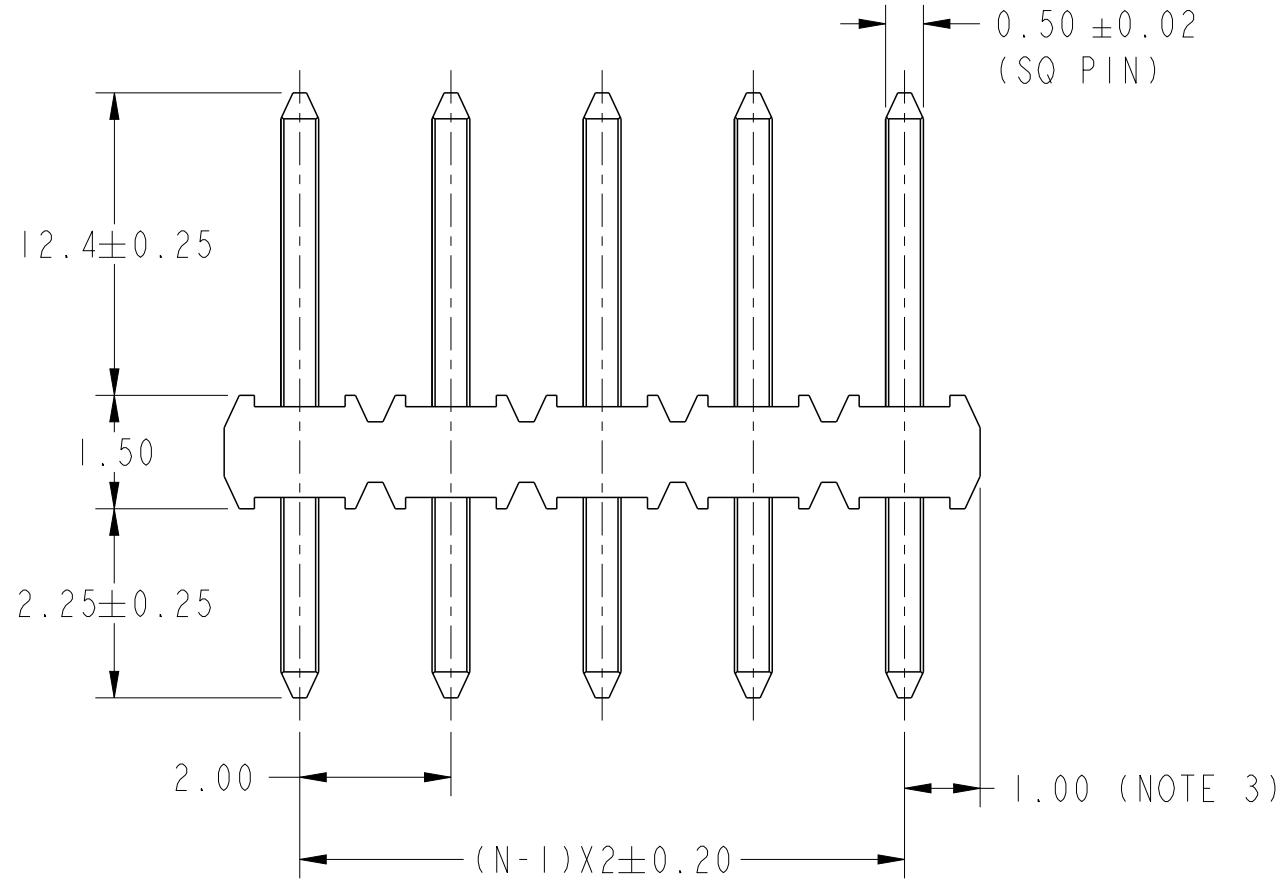


RECOMMENDED MOUNTING HOLE LAYOUT



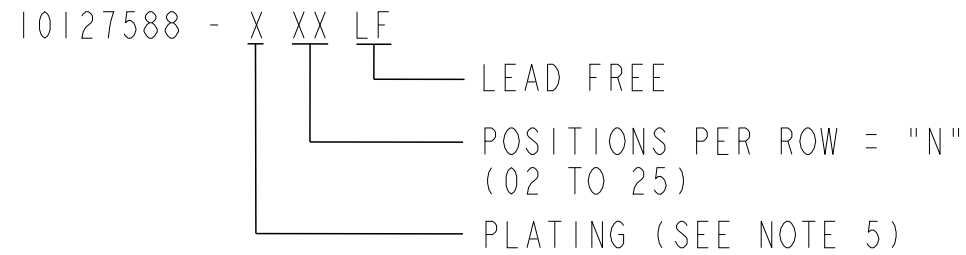
Copyright FCI.

spec ref		dr	Guo-Min Sun	2013/10/16	projection	mm	size	A3	scale	1:1
tolerance std		eng	Guo-Min Sun	2013/11/18			ecn no		-	
TOLERANCES UNLESS OTHERWISE SPECIFIED		chr	-	-			rel level		Released	
surface		linear	0.X	± 0.50		MINITEK II STR HEADER	dwg no		10127588	
			0.XX	± 0.25			rev		A	
			0.XXX	± 0.15			cat. no.		Product - Customer Drw	
		angular	0°	$\pm 2^\circ$	www.fci.com		PDS: Rev :A		STATUS:Released	

NOTES:

1. MATERIAL:
HOUSING : HIGH TEMPERATURE PLASTIC UL 94V-0 BLACK
TERMINAL : COPPER ALLOY
2. TOLERANCE UNLESS OTHERWISE NOTED `0.25
3. DIM 1.0 `0.15 MOLDED SIDE(S) ONLY.
IF SIDE(S) ARE BROKEN, DIM 1.5 MAX APPLIES.
4. TERMINAL RETENTION FORCE MIN 0.4KG PER PIN.
5. PLATING:
a) 10127588 - IXXLF: PLATING Tin 80u" MIN ON MATING LENGTH AND SOLDER TAIL.
(AT THE ENDS OF THE CUT SURFACE WITHOUT PLATING)

6. PRODUCT DESCRIPTION CODE:



7. 10127588-XXXLF IS STANDARD PACKAGING IN TUBE WITHOUT CAP.
10127558-XXXTLF IS PACKAGING IN TUBE WITH CAP.
10127588-XXXTRLF IS PACKAGING IN TAPE AND REEL.
8. THE HOUSING WILL WITHSTAND EXPOSURE TO 255~C
PEAK TEMPERATURE FOR 10 SECONDS IN A CONVECTION, INFRA-RED
OR VAPOR PHASE REFLOW OVEN.
9. THE HOUSING WILL WITHSTAND EXPOSURE TO 260~C
PEAK TEMPERATURE FOR 10 SECONDS IN A WAVE SOLDER
APPLICATION WITH A 1.5MM MINIMUM THICK CIRCUIT BOARD.
10. PART TO BE FREE FROM ANY CONDUCTIVE FOREIGN MATERIAL LONGER THAN 0.30mm.
11. THIS PRODUCT MEETS EUROPEAN UNION DIRECTIVES AND
OTHER COUNTRY REGULATIONS AS DESCRIBED IN GS-22-008.

dr	Guo-Min Sun	2013/10/16	projection 	mm 	size	A3	scale	1:1
eng	Guo-Min Sun	2013/11/18			ecn no	-		
chr	-	-	product family	-	rel level	Released		
appr	Rick Bian	2013/11/18			title	MINITEK II STR	dwg no	10127588
www.fci.com		cat. no.	-	Product - Customer Drw			sheet 2 of 2	



Copyright FCI.

Mouser Electronics

Authorized Distributor

Click to View Pricing, Inventory, Delivery & Lifecycle Information:

[FCI / Amphenol:](#)

[10127588-138TRLF](#)