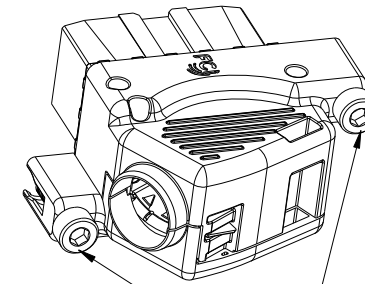
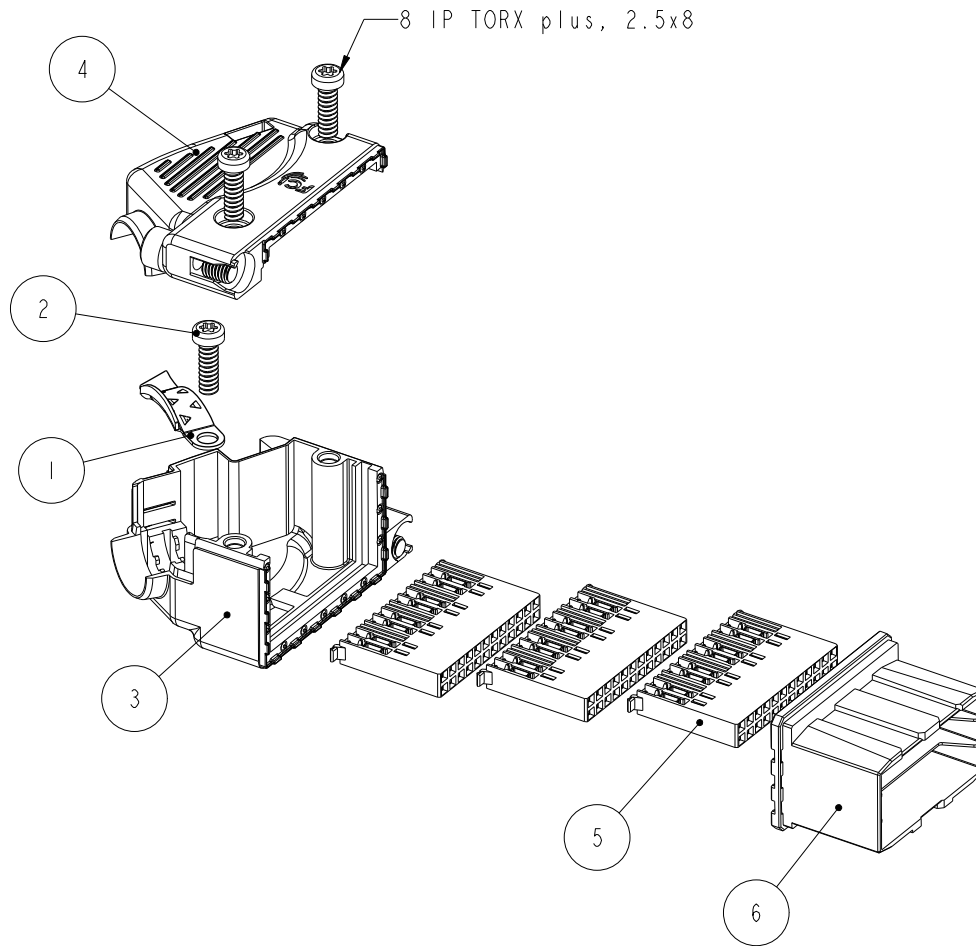


PART NUMBER  
10078794-101LF

# 24 Pair Cable Connector



Hexagon M 2.5 x 3  
(Pre-assembled in cover-parts)

|           |                              |     |
|-----------|------------------------------|-----|
| 6         | SHROUD                       | 1   |
| 5         | TERMINAL BLOCK ASSEMBLY      | 3   |
| 4         | SUB-ASSEMBLY TOP-COVER       | 1   |
| 3         | SUB-ASSEMBLY BOTTOM-COVER    | 1   |
| 2         | CONNECTOR SELF TAPPING SCREW | 3   |
| 1         | CLAMP                        | 1   |
| INDEX NO. | TITLE I                      | QTY |



Copyright FCI.

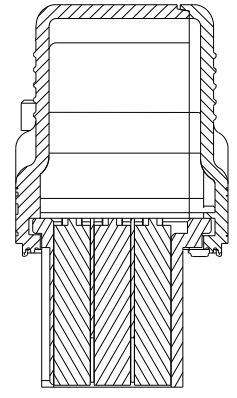
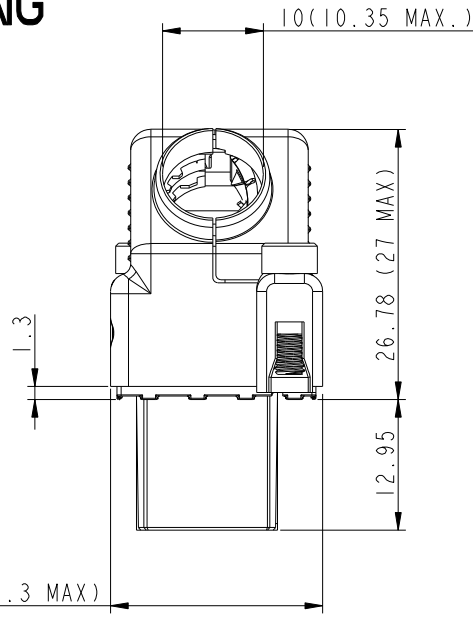
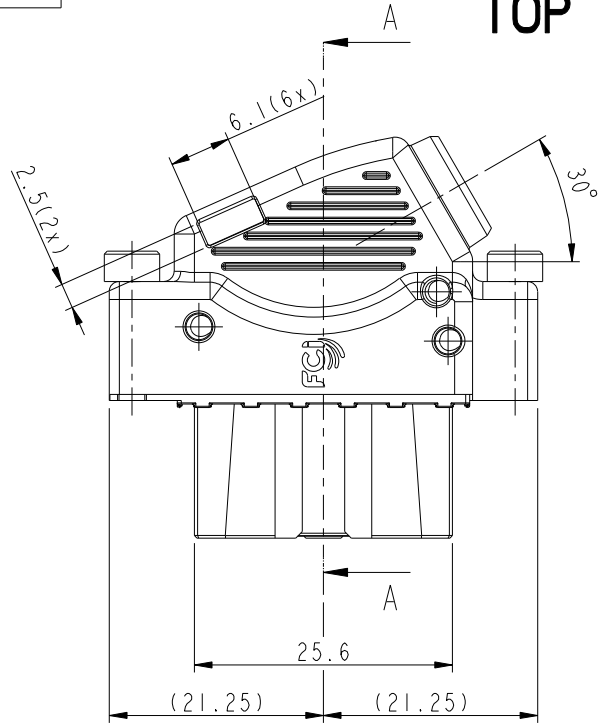
| rev | ecn no   | dr    | date       |
|-----|----------|-------|------------|
| A   | H08-0011 | S.M.  | 2008/02/11 |
| B   | H09-0050 | PEP   | 2009/03/26 |
| C   | N10-0112 | F.PAN | 2010/04/22 |
| -   | -        | -     | -          |
| -   | -        | -     | -          |
| -   | -        | -     | -          |

|             |             |                       |                                     |                  |                                       |              |
|-------------|-------------|-----------------------|-------------------------------------|------------------|---------------------------------------|--------------|
| www.fci.com |             | surface -<br>ISO 1302 | tolerance std<br>ISO 406 / ISO 1101 | projection<br>mm | TOLERANCES UNLESS OTHERWISE SPECIFIED |              |
| Dr          | S.MANOхарAN | 2008/02/09            | ANGULAR                             | LINEAR           | 0.x ±                                 | size A3      |
| Eng         | J.de Bruijn | 2008/02/11            | 0°. ±°                              | 0.xx ±           | 0.xxx ±                               | Scale 1:1    |
| Chr         |             |                       | Product family                      |                  | ECN                                   | N10-0112     |
| Appr        | J.de Bruijn | 2008/02/11            | -                                   |                  | Spec ref                              |              |
| FCI         |             |                       | title ASSEMBLY KIT                  |                  | dwg no                                | 10078794     |
|             |             |                       | METRAL HDXS 24 PAIR CABLE CONNECTOR |                  | Rev.                                  | C            |
|             |             |                       | catalog no                          |                  | CUSTOMER                              | sheet 1 of 4 |

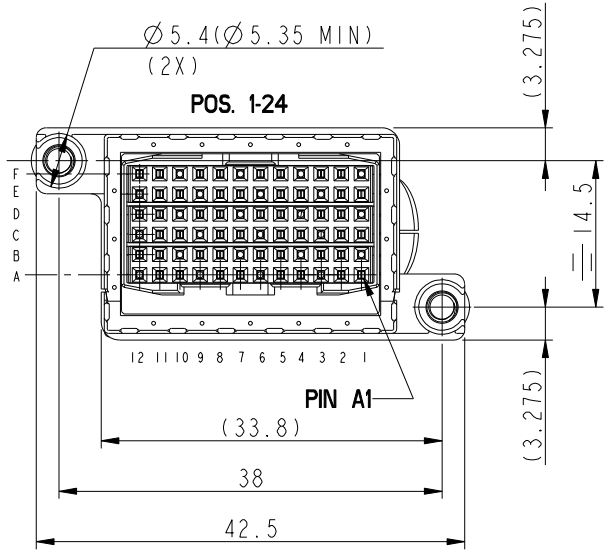
REV F - 2006-04-17

PART NUMBER  
10078794-101LF

# TOP CABLING



SECTION A-A



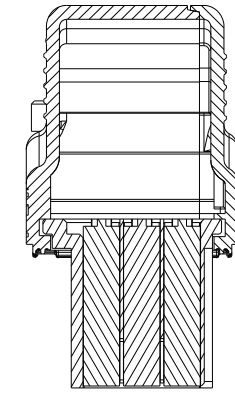
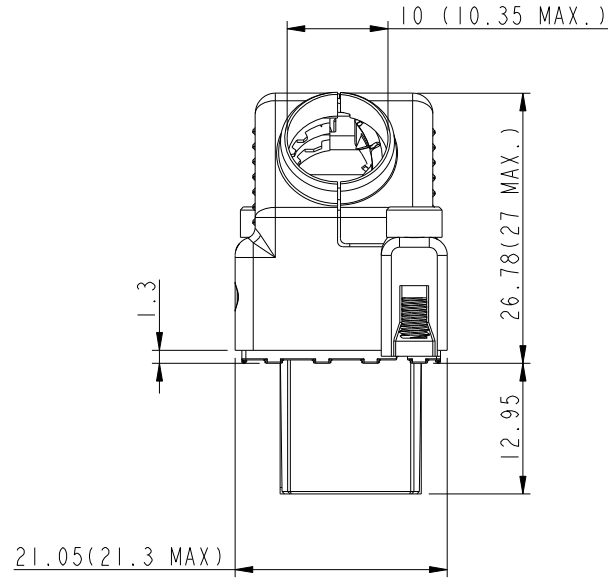
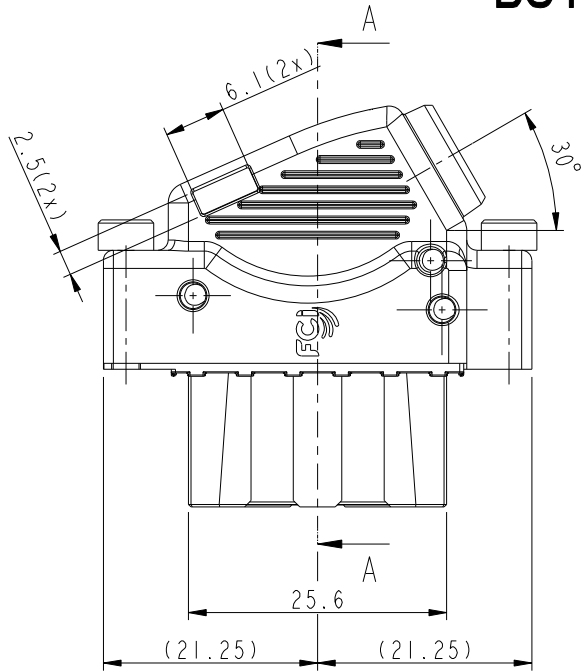
Copyright FCI.  
**FCI**

|             |                                     |                                       |                                     |                  |              |
|-------------|-------------------------------------|---------------------------------------|-------------------------------------|------------------|--------------|
| www.fci.com |                                     | surface<br>ISO 1302                   | tolerance std<br>ISO 406 / ISO 1101 | projection<br>mm |              |
|             |                                     | TOLERANCES UNLESS OTHERWISE SPECIFIED |                                     |                  |              |
| Dr          | S.MANOхарAN                         | 2008/02/09                            | ANGULAR                             | 0.x ±            | size A3      |
| Eng         | J.de Bruijn                         | 2008/02/11                            | LINEAR                              | 0.xx ±           | Scale 2:1    |
| Chr         |                                     |                                       | 0° ±°                               | 0.xxx ±          | ECN N10-0112 |
| Appr        | J.de Bruijn                         | 2008/02/11                            | Product family                      | -                | Spec ref     |
| <b>FCI</b>  | title ASSEMBLY KIT                  |                                       | dwg no 10078794                     |                  | Rev. C       |
|             | METRAL HDXS 24 PAIR CABLE CONNECTOR |                                       | CUSTOMER                            |                  | sheet 2 of 4 |
|             | catalog no                          |                                       |                                     |                  |              |

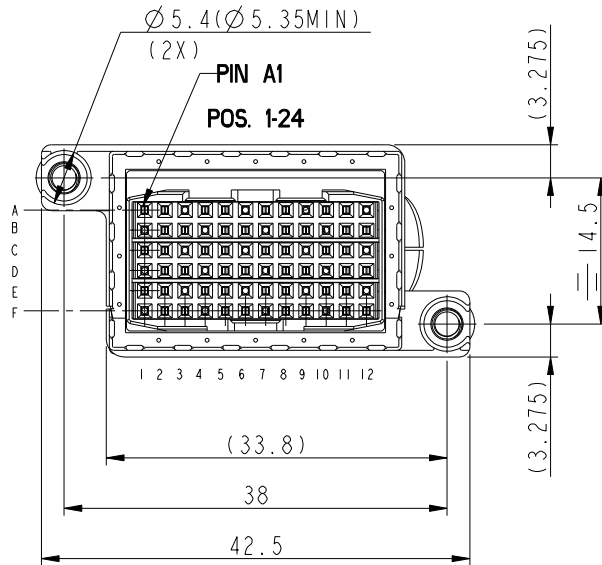
REV F - 2006-04-17

PART NUMBER  
10078794-101LF

# BOTTOM CABLING



SCALE 2:1



Copyright FCI.

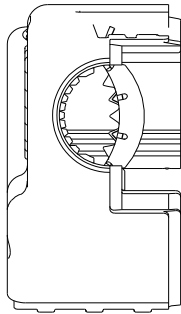
|             |             |                                       |                                     |                  |              |
|-------------|-------------|---------------------------------------|-------------------------------------|------------------|--------------|
| www.fci.com |             | surface<br>ISO 1302                   | tolerance std<br>ISO 406 / ISO 1101 | projection<br>mm |              |
|             |             | TOLERANCES UNLESS OTHERWISE SPECIFIED |                                     |                  |              |
| Dr          | S.MANOхарAN | 2008/02/09                            | ANGULAR                             | 0.x              | ±            |
| Eng         | J.de Bruijn | 2008/02/11                            | LINEAR                              | 0.xx             | ±            |
| Chr         |             |                                       | 0° ±°                               | 0.xxx            | ±            |
| Appr        | J.de Bruijn | 2008/02/11                            | Product family                      | -                | Spec ref     |
|             |             | title<br>ASSEMBLY KIT                 |                                     | dwg no           | 10078794     |
|             |             | METRAL HDXS 24 PAIR CABLE CONNECTOR   |                                     |                  | Rev.<br>C    |
|             |             | catalog no                            |                                     | CUSTOMER         | sheet 3 of 4 |

REV F - 2006-04-17

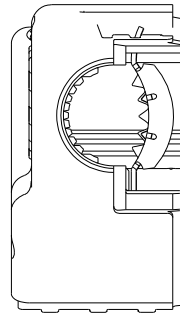
PART NUMBER  
10078794-101LF

## CABLE DIAMETER AND CABLE CLAMP POSITION

Cable Clamp at position.A  
for cable diameters  
Ø 7mm-Ø 8mm

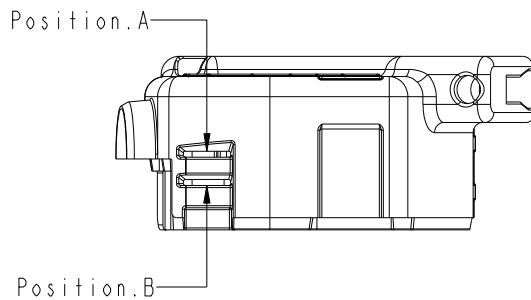


Cable Clamp at position.A  
for cable diameters  
Ø 9mm-Ø 10mm



### NOTES:

- 1.Product specification: GS-12-485
- 2.Application specification: GS-20-091
- 3.Packaging specification: GS-14-1265
- 4.Performance level: Telcordia CO
- 5.Flammability classification : UL94 V-0
- 6.RoHS Compliant
- 7.Wire size: AWG26.



|             |                                     |                                       |                                     |            |              |
|-------------|-------------------------------------|---------------------------------------|-------------------------------------|------------|--------------|
| www.fci.com |                                     | surface<br>ISO 1302                   | tolerance std<br>ISO 406 / ISO 1101 | projection | mm           |
|             |                                     | TOLERANCES UNLESS OTHERWISE SPECIFIED |                                     |            |              |
| Dr          | S.MANOCHARAN                        | 2008/02/09                            | ANGULAR                             | 0.X ±      | size A3      |
| Eng         | J.de Bruijn                         | 2008/02/11                            | LINEAR                              | 0.XX ±     | Scale 2:1    |
| Chr         |                                     |                                       | 0° ±°                               | 0.XXX ±    | ECN N10-0112 |
| Appr        | J.de Bruijn                         | 2008/02/11                            | Product family                      | -          | Spec ref     |
|             | title ASSEMBLY KIT                  |                                       | dwg no 10078794                     |            | Rev. C       |
|             | METRAL HDXS 24 PAIR CABLE CONNECTOR |                                       | CUSTOMER                            |            | sheet 4 of 4 |
|             | catalog no                          |                                       |                                     |            |              |

REV F - 2006-04-17

Copyright FCI.

# Mouser Electronics

Authorized Distributor

Click to View Pricing, Inventory, Delivery & Lifecycle Information:

[FCI / Amphenol:](#)

[10078794-101LF](#)