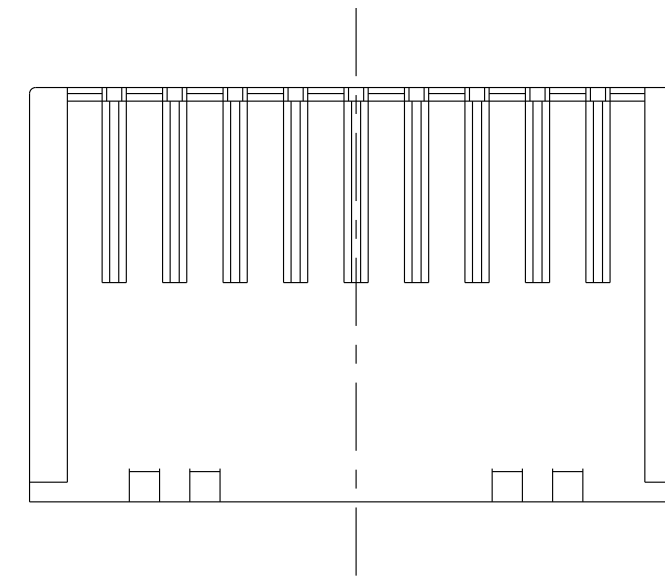
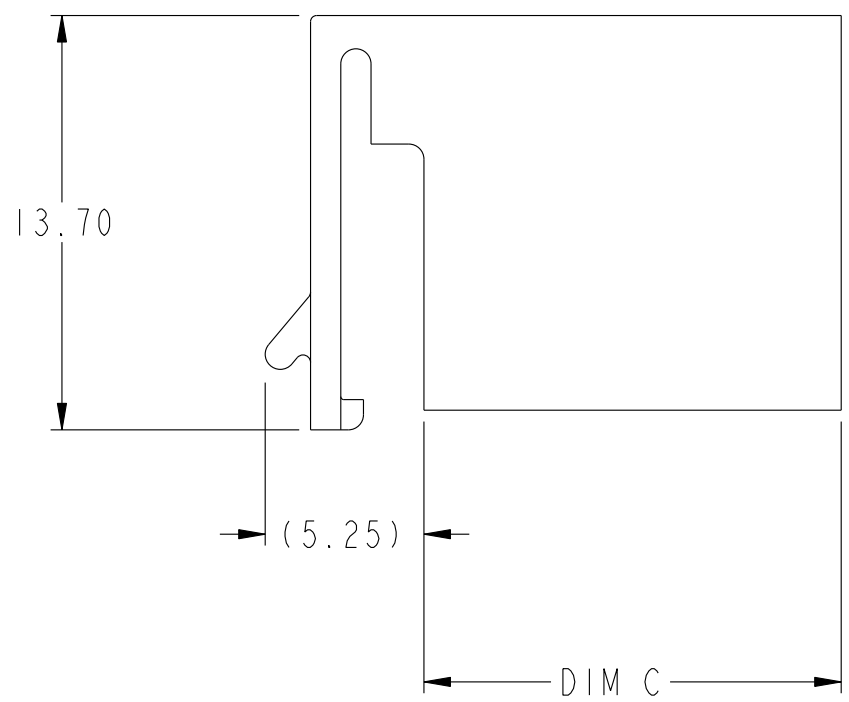
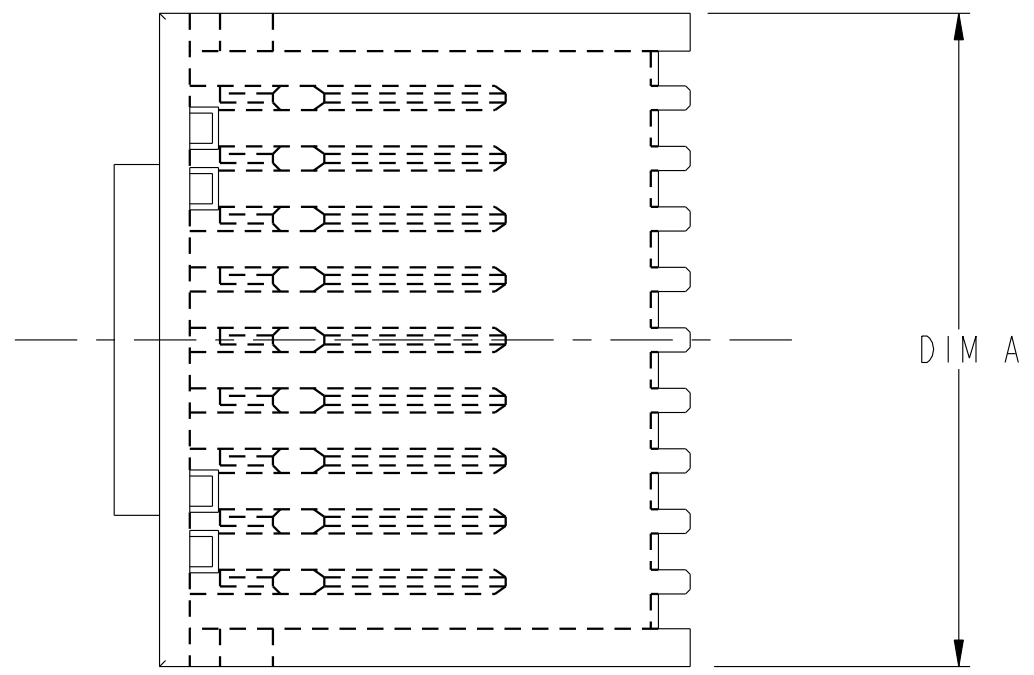


PRODUCT NUMBER
SEE SHEET 2

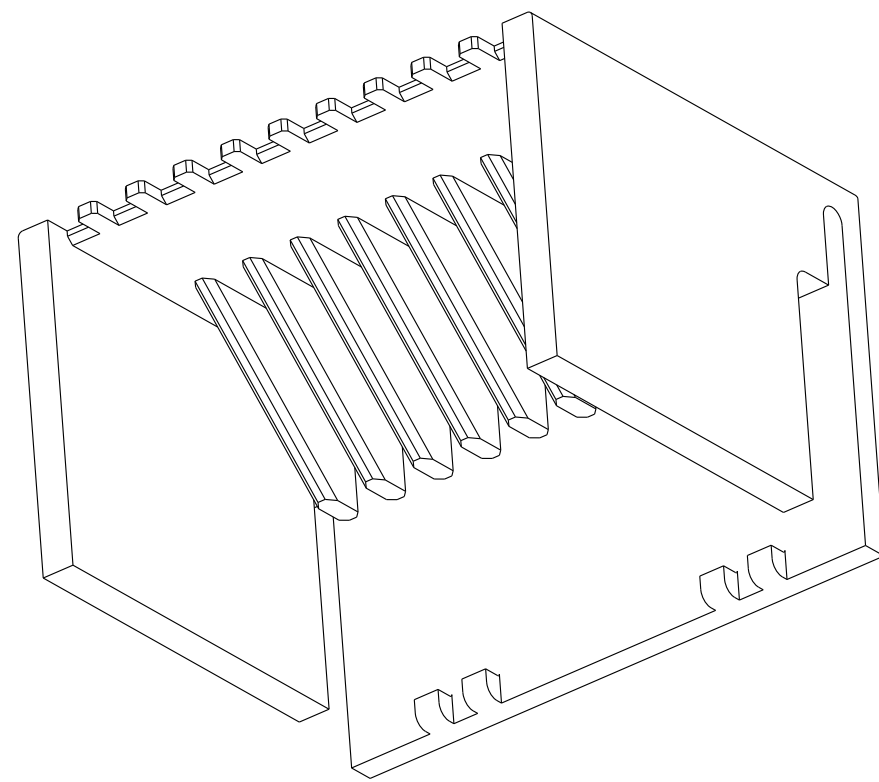


CONFIDENTIAL

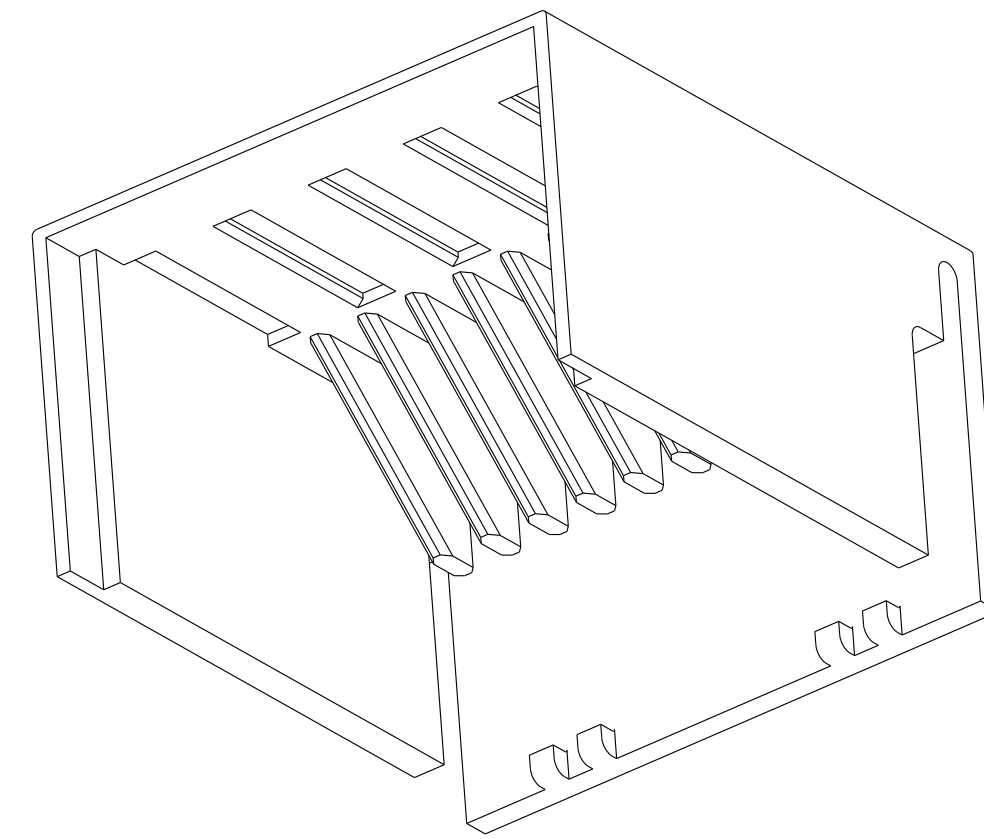
www.fciconnect.com				surface ASME Y14.5	tolerance std ASME Y14.5	projection MM	TOLERANCES UNLESS OTHERWISE SPECIFIED	
Dr	T.HOUTZ	2005-08-16	ANGULAR	0.X	±0.3	size	Scale	
Eng	C. H. TAN	2006-06-05	LINEAR	0.XX	±0.10	A2	4:1	
Chr	C. H. TAN	2007-06-04	0° ±2°	0.XXX	±0.050	ECN	***	
Appr	JOEY NG	2007-06-04	Product family	-	Spec ref	-		
				title AirMax COVER R/A HDR & RECPT - 4pr, 2mm		dwg no 10058686	Rev. B	
catalog no				CUSTOMER		sheet 1 of 2		

rev	ecn no	dr	date
A	S06-0199	CH	2006-06-05
B	S07-0055	LS	2007-06-04
-	-	-	-
-	-	-	-
-	-	-	-
-	-	-	-

PART NUMBER (NOTE 3)	CONNECTOR GENDER	NUMBER OF IMLAS	DIM A	DIM C
10058686-001LF	R/A HEADER	6	13.60	13.80
10058686-002LF	R/A HEADER	8	17.60	13.80
10058686-003LF	R/A HEADER	10	21.60	13.80
10058686-004LF	R/A RECEPT.	6	13.60	19.25
10058686-005LF	R/A RECEPT.	8	17.60	19.25
10058686-006LF	R/A RECEPT.	10	21.60	19.25



10058686-003LF SHOWN
SCALE 4:1



10058686-006LF SHOWN
SCALE 4:1

NOTES:

- MATERIAL: THERMOPLASTIC RESIN
COLOR : BLACK,
UL94V-0 COMPLIANT,
MAXIMUM OPERATING TEMPERATURE
IS 105°C.
- THIS PRODUCT IS NOT INTENDED TO BE EXPOSED
TO A MANUFACTURING SOLDER PROCESS.
- THIS PRODUCT MEETS EUROPEAN UNION DIRECTIVES
AND OTHER COUNTRY REGULATIONS AS DESCRIBED
IN GS-22-008.
- PACKAGING MEETS GS-14-920 LEAD FREE
LABELLING SPECIFICATION.

CONFIDENTIAL

	title AirMax COVER R/A HDR & RECPT - 4pr, 2mm	dwg no 10058686	Rev. B
	catalog no -	CUSTOMER	sheet 2 of 2

Copyright FCJ. FCJ

Mouser Electronics

Authorized Distributor

Click to View Pricing, Inventory, Delivery & Lifecycle Information:

[FCI / Amphenol:](#)

[10058686-003LF](#)