

PRODUCT NO.
 10039651-001LF
 10039651-001C-TRLF
 10039651-002LF

A

B

C

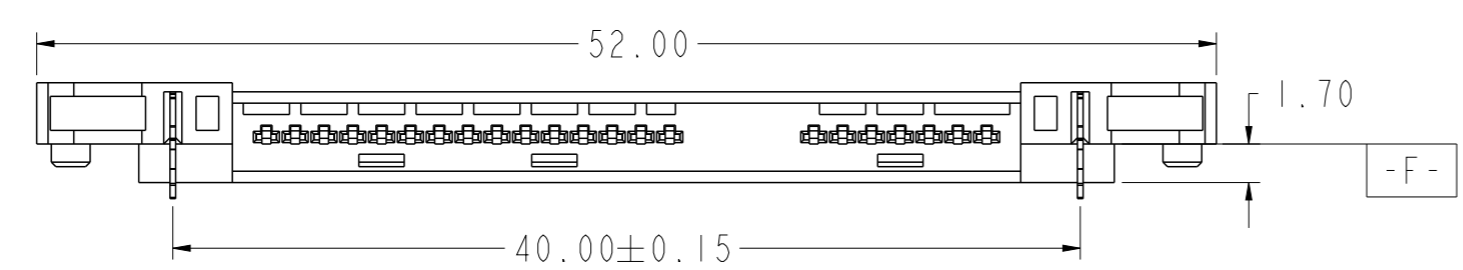
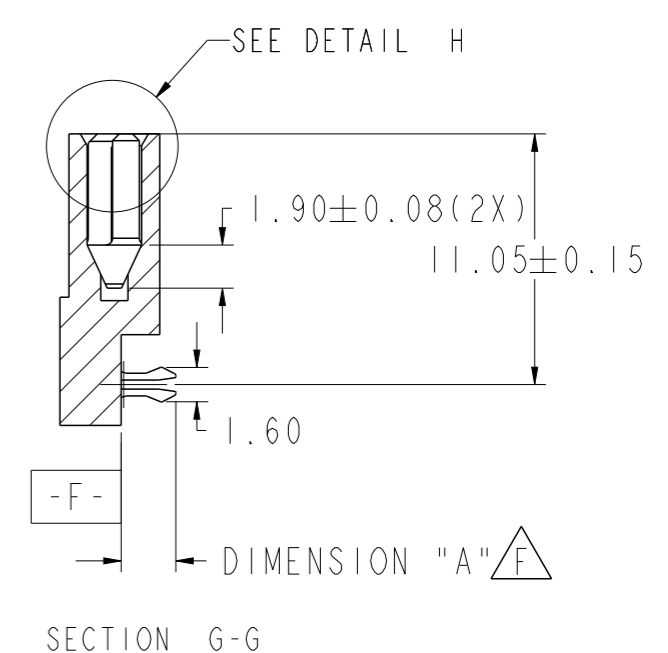
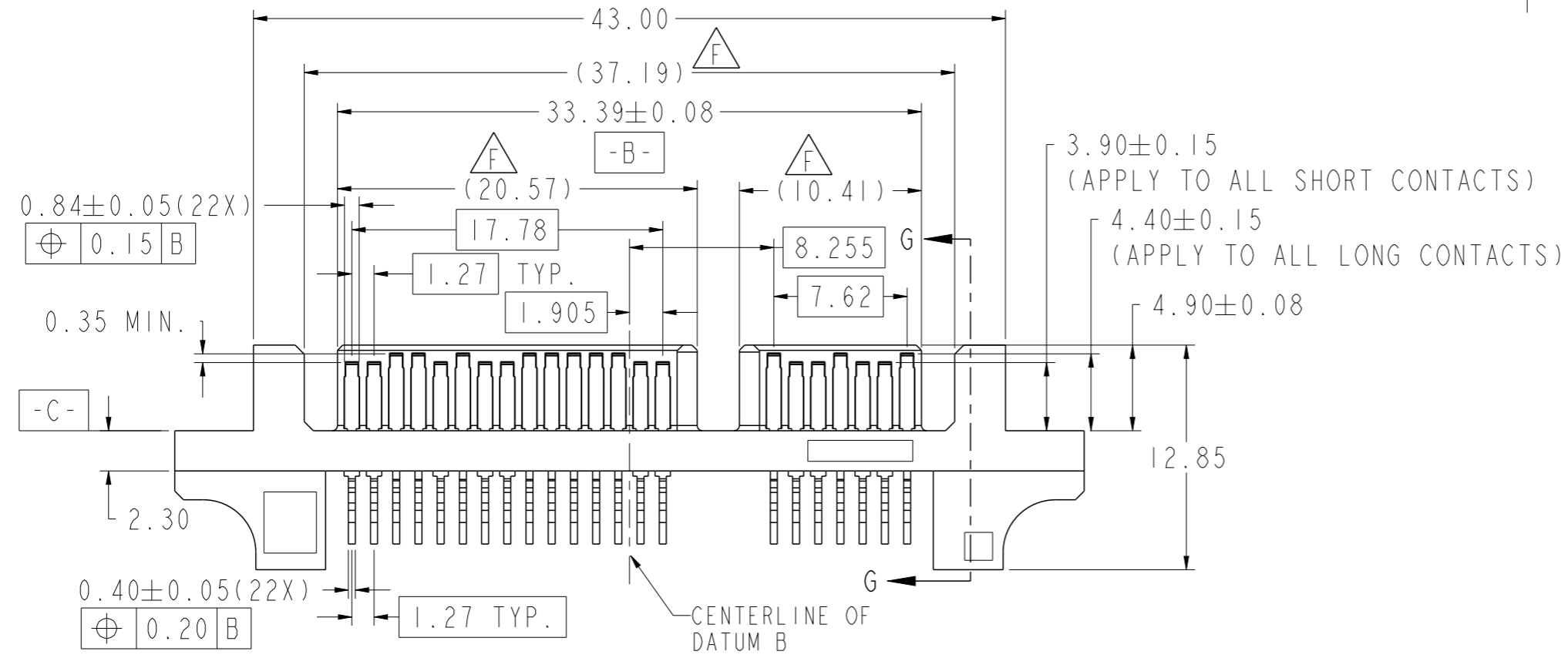
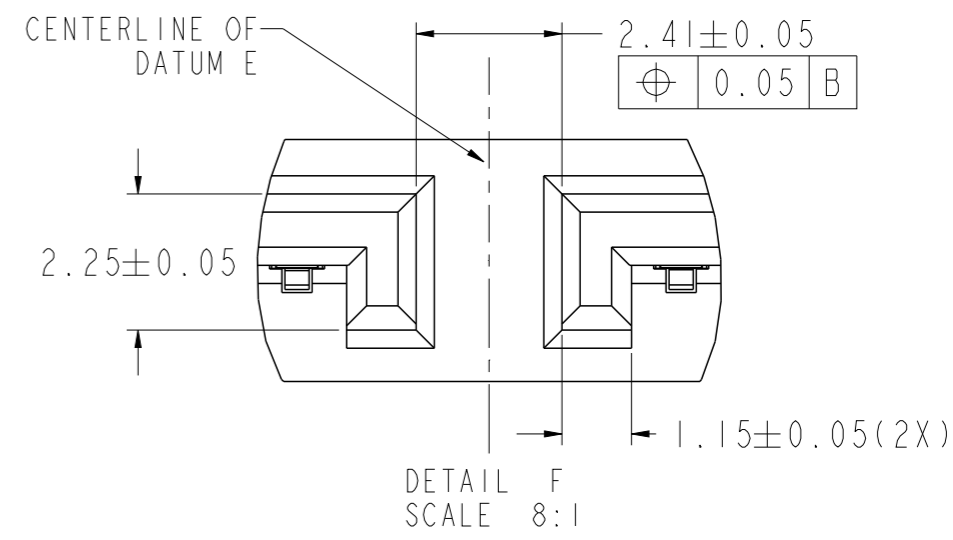
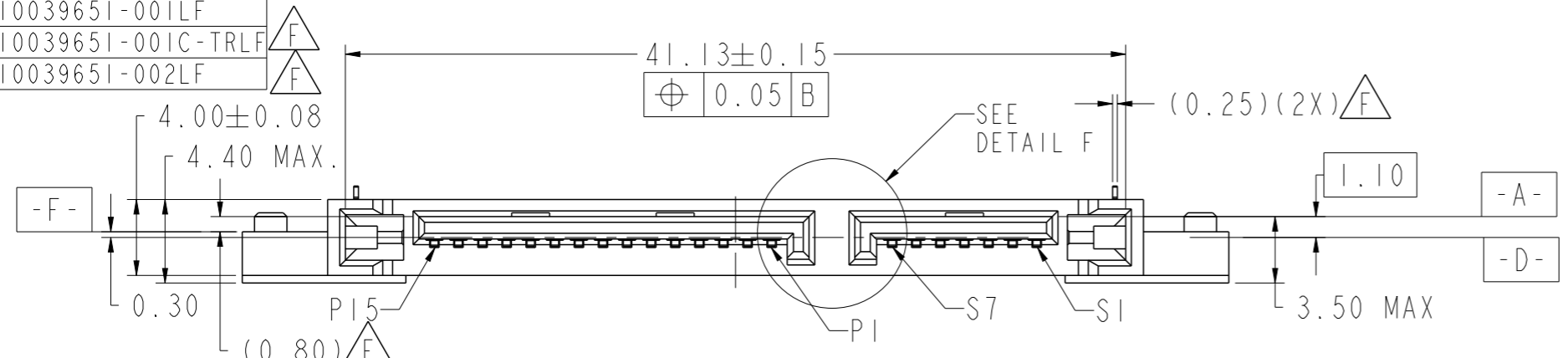
D

A

B

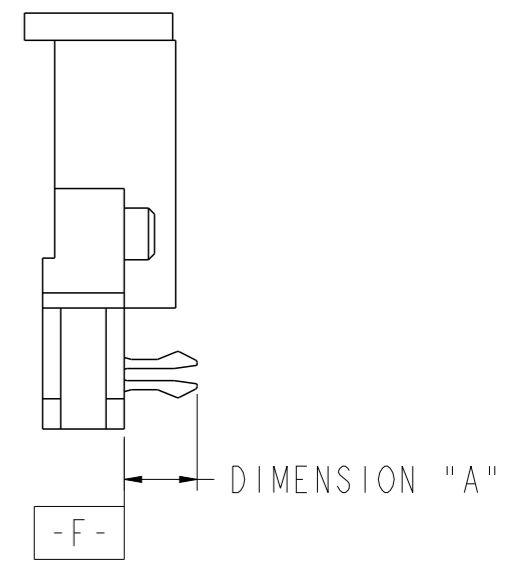
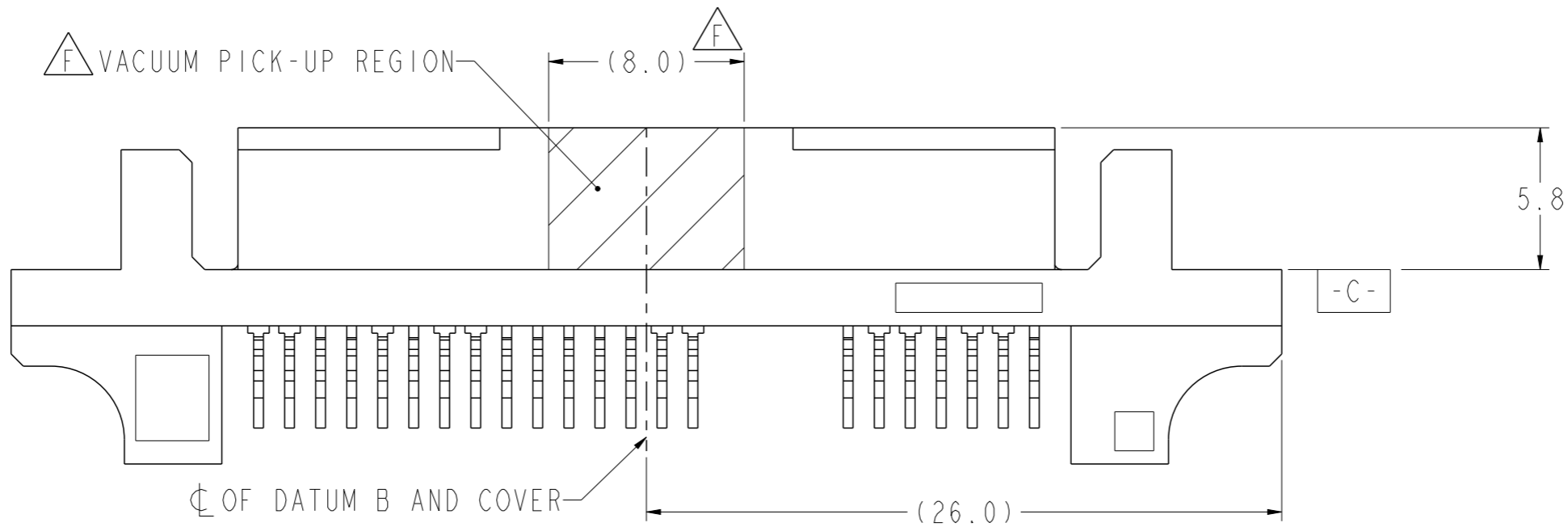
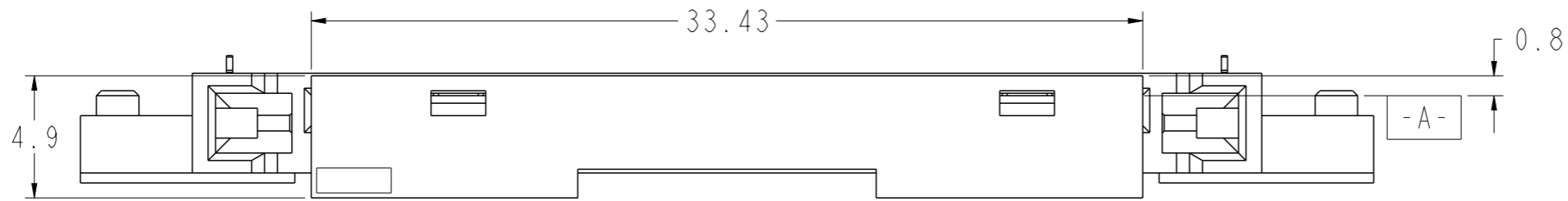
C

D



spec ref	dr	wcadmin, wcadm	2005/05/25	projection	MM	size	A3	scale	3:1
tolerance std	eng	Jeffrey Lim	2018/05/21			ecn no	ELX-S-30180-1	rel level	Released
ASME Y14.5	chr	-	product family						
surface	<input checked="" type="checkbox"/> linear	0.X	±0.25	Amphenol FCI	SATA PLUG R/A TYPE ASSY, Z-HT. 0.80	dwg no	10039651	rev	F
		0.XX	±0.13						
		0.XXX	±0.050						
	angular	0°	±2°	cat. no.	Product - Customer Drw	sheet 1 of 3			

PRODUCT NO.	WITH COVER
10039651-001C-TRLF	YES

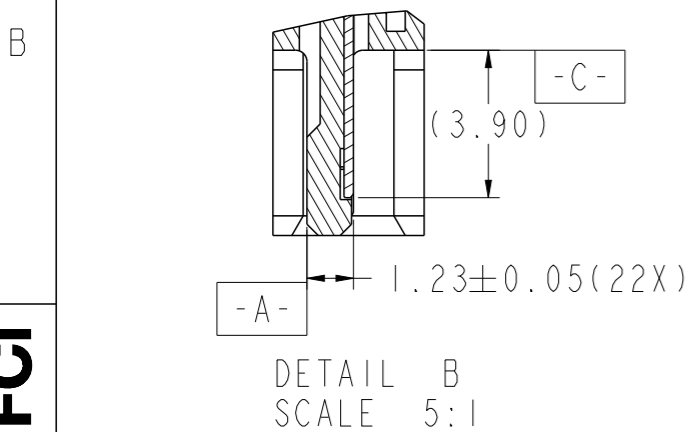
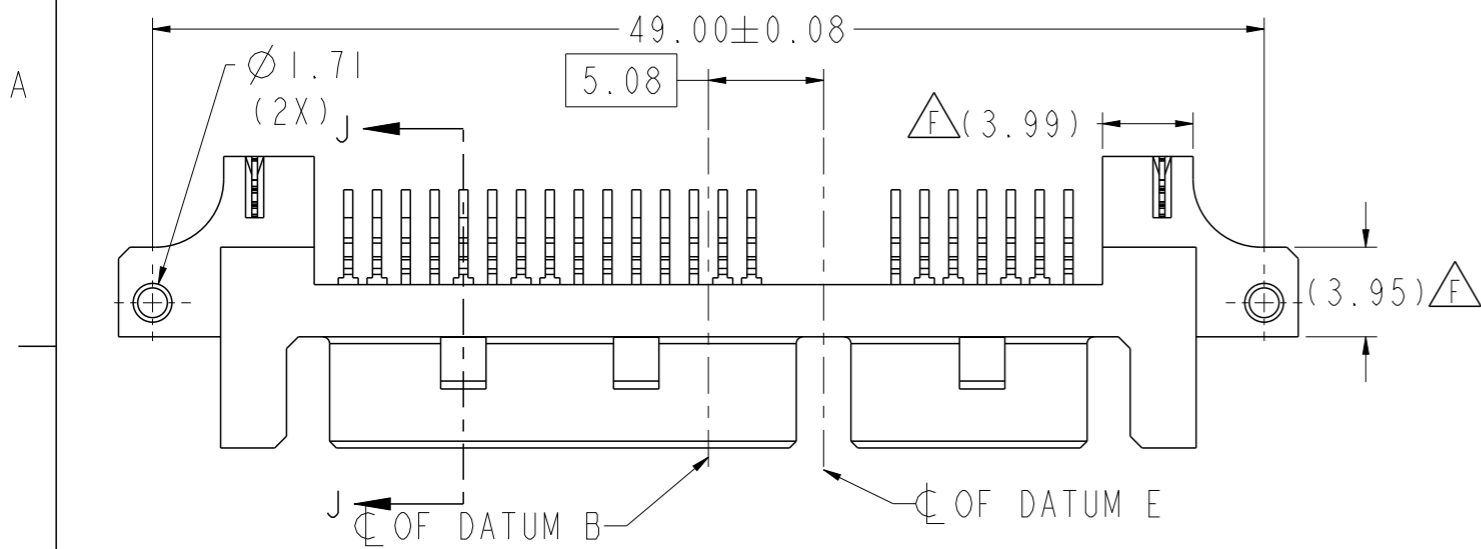


SCALE 4:1

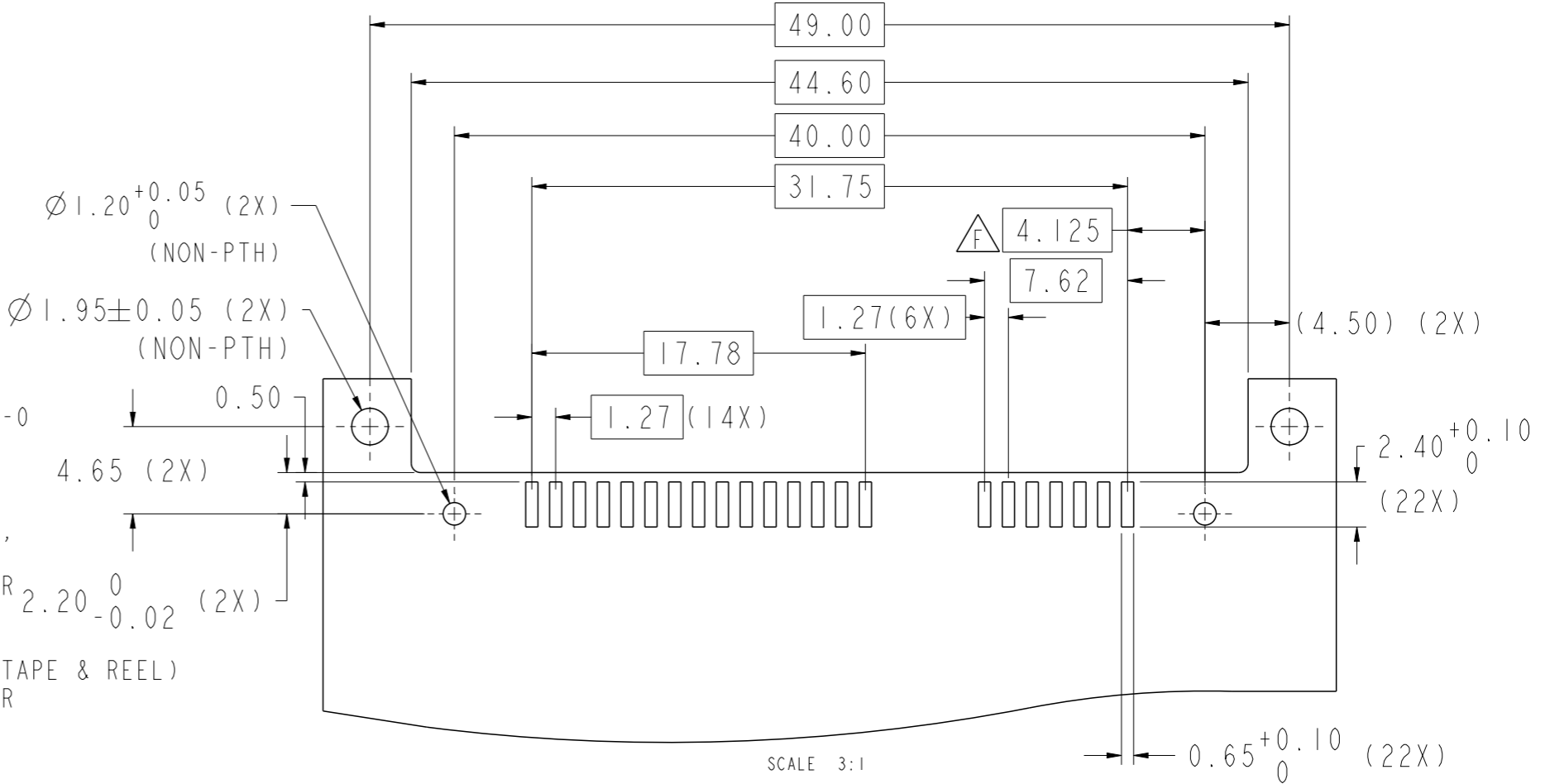
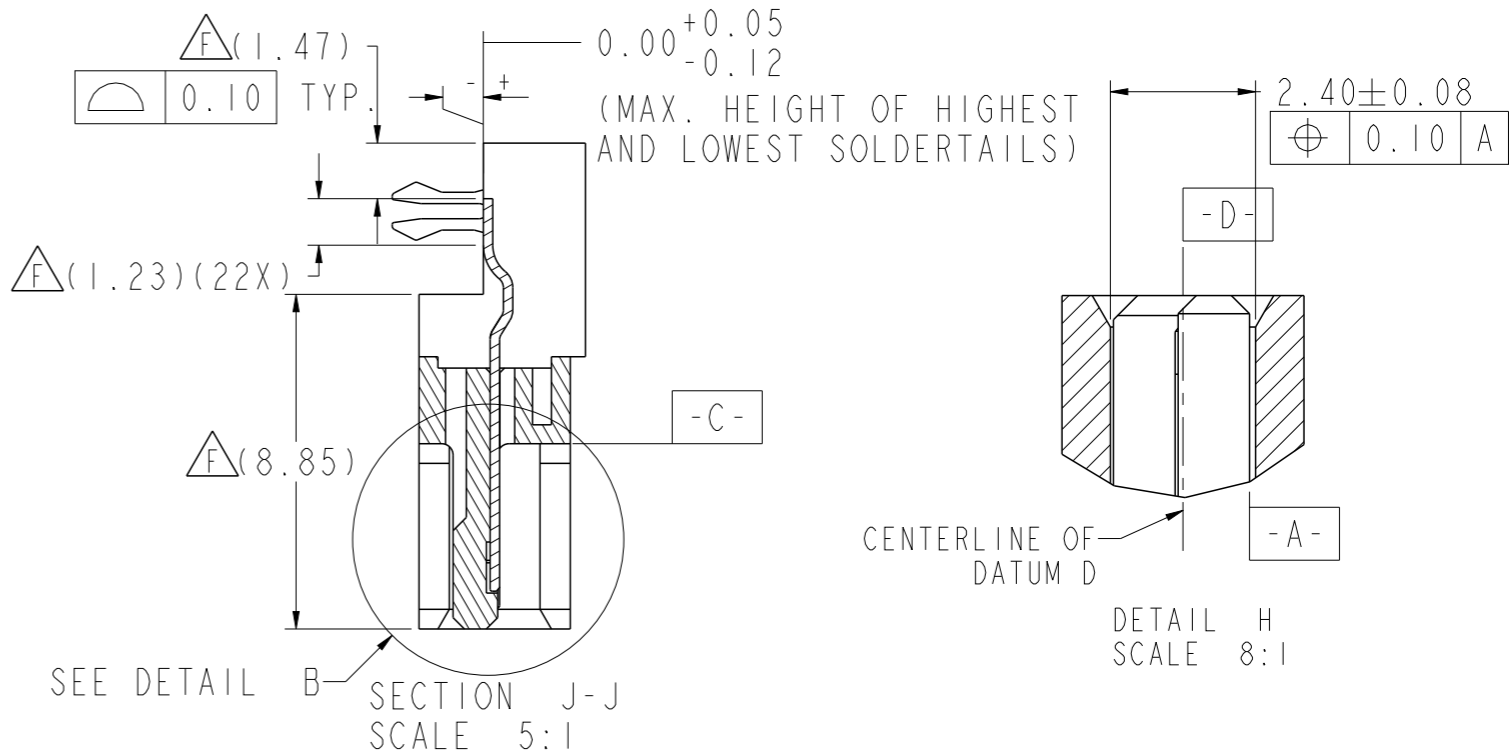
FOR MORE DIMENSIONS, REFER TO 10039651-001LF

spec ref	dr	wcadmin, wcadm	2005/05/25	projection	MM	size	A3	scale	1:1
tolerance std	eng	Jeffrey Lim	2018/05/21			ecn no	ELX-S-30180-1	rel level	Released
ASME Y14.5	chr	-	-						
surface	linear	0.X	±0.25	Amphenol FCI	SATA PLUG R/A	dwg no	10039651	rev	F
		0.XX	±0.13						
		0.XXX	±0.050						
	angular	0°	±2°	cat. no.	-	Product - Customer Drw	sheet 2 of 3		

PRODUCT NO.	DIMENSION "A"	RECOMMENDED PCB THICKNESS	PACKAGING
10039651-001LF	2.40±0.15	1.60	TRAY
10039651-001C-TRLF			TAPE & REEL
10039651-002LF	2.00±0.15	1.20	TRAY



- NOTES:
- MATERIAL:
HOUSING & CAP: HIGH TEMPERATURE PLASTIC, BLACK, UL94V-0
CONTACT & HOLD DOWN: COPPER ALLOY
 - FINISH:
CONTACT: 1.27um Min. NICKEL UNDERPLATE OVERALL,
1.91um Min. 100% MATTE TIN (LEAD-FREE) ON SOLDER TAIL,
0.76um Min. GOLD ON CONTACT AREA
HOLD DOWN: 2.54um Min. 100% MATTE TIN (LEAD-FREE) OVER
1.27um Min. NICKEL UNDERPLATE
 - PRODUCT SPECIFICATION: GS-12-194
 - PACKAGING SPECIFICATION: GS-14-952(TRAY); GS-14-1038(TAPE & REEL)
 - THIS PRODUCT MEETS EUROPEAN UNION DIRECTIVES AND OTHER
COUNTRY REGULATIONS AS DESCRIBED IN GS-47-0004
 - THE HOUSING WILL WITHSTAND EXPOSURE TO 260°C PEAK
TEMPERATURE FOR 10 SECONDS IN A CONVECTION, INFRA-RED
OR VAPOR PHASE REFLOW OVEN
 - A SYMBOL WILL BE NEXT TO ANY DIMENSION, VIEW OR NOTE WHICH
HAS BEEN MODIFIED WITH THE CURRENT DRAWING REVISION



RECOMMENDED PCB LAYOUT

spec ref	dr	wcadmin, wcadm	2005/05/25	projection	MM	size	A3	scale	3:1
tolerance std	eng	Jeffrey Lim	2018/05/21		← →	ecn no	ELX-S-30180-1	rel level	Released
ASME Y14.5	chr	-	2018/06/07						
surface	appr	Koon-Poh Tay	2018/06/07	SATA PLUG R/A		dwg no	10039651	rev	F
linear	0.X	±0.25	Amphenol FCI		TYPE ASSY, Z-HT. 0.80		Product - Customer Drw		sheet 3 of 3
angular	0°	±2°	cat. no.		PDS: Rev :F		STATUS:Released		Printed: Jul 05, 2018

Amphenol FCI

© 2016 AFCI

Mouser Electronics

Authorized Distributor

Click to View Pricing, Inventory, Delivery & Lifecycle Information:

[FCI / Amphenol:](#)

[10039651-001LF](#)