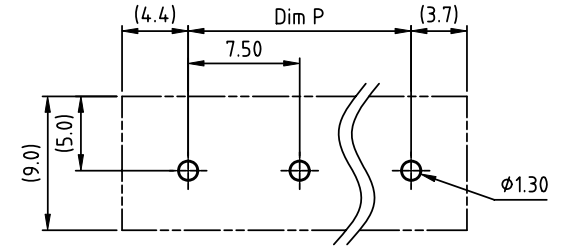
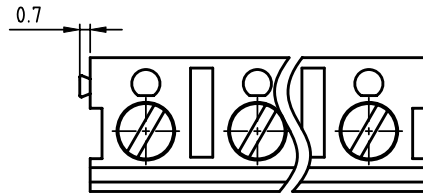
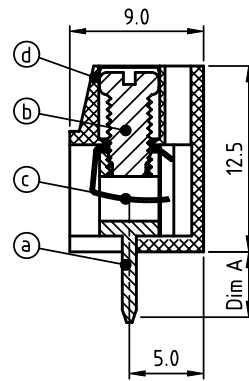
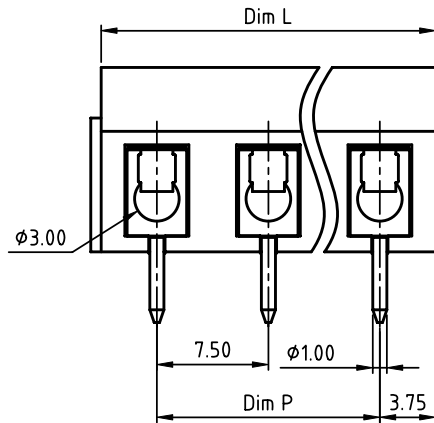


PRODUCT NUMBER	PITCH
TAx21xxBBJ0G	7.50 mm



RECOMMENDED P.C.B LAYOUT
TOP VIEW



Material

- ItemⒶ Terminal body(metal housing): Brass(CuZn),Tin plated
- ItemⒷ Terminal screw: Steel Zinc plating "-" slot type
- ItemⒸ Wire guard: Stainless steel
- ItemⒹ Insulator (housing): Thermoplastic (UL94V-0)

Electrical UL

- Voltage rating: 250VAC
- Current rating: 16A
- Wire range:
- Solid wire(AWG): 14-22
- Stranded wire(AWG): 14-22
- Torque: 3.5Lb-In
- Screw: M3
- Wire strip length: 6-7mm
- Withstanding Voltage: 1.5KV
- Operating temperature: -40°C to +115°C
- Soldering temperature: 260°C±5°C/5 Sec
- Safety Approval:

N = Number of poles
Dim L=Nx7.5
Dim P=(N-1)x7.5

Poles	Dim P	Dim L
2-4p	±0.10	±0.15
5-8p	±0.20	±0.20
9-12p	±0.25	±0.30
13-16p	±0.30	±0.40

PART NO.: TA xx 21 x x BBJ0 G

	Body Color	DIM A Length	RoHS compliant
End stackable	0 Black (RAL9005)	0 4.4mm	(lead<4%)
No. of poles	2 Red (RAL3001/D)	1 3.8mm	In copper Alloy
02 2 poles	3 Orange(RAL2011/P)	2 3.5mm	
03 3 poles	4 Yellow(RAL1018/A)		
...	5 Green(RAL6018/T)		
16 16 poles	6 Blue (RAL5015/A)		
	8 Grey(RAL7035/D)		
	9 White(RAL1102)		
	C Green(RAL6018/U)		

mat'l. code		surface ASME Y14.5	tolerance ASME Y14.5	projection 	product family TERMINAL BLOCK
ltr	ecn no	dr	date	tolerances unless otherwise specified	title TERMINAL BLOCK
				angles 	scale WIRE PROTECTOR,180D WIRE INLET,ONE INTERLOCK
				dr EVIN ZHONG 033114	dwg no T Ax21xxBBJ0G
				enr EVIN ZHONG 033114	sheet 1 of 1 size A4
				chr HANKE FENG 033114	type CUSTOMER Drawing
				appd SHI JUN 033114	
sheet index	revision	A			
	sheet	1			

Mouser Electronics

Authorized Distributor

Click to View Pricing, Inventory, Delivery & Lifecycle Information:

[Amphenol:](#)

[TA022152BB00G](#)

[FCI / Amphenol:](#)

[TA022152BBJ0G](#)