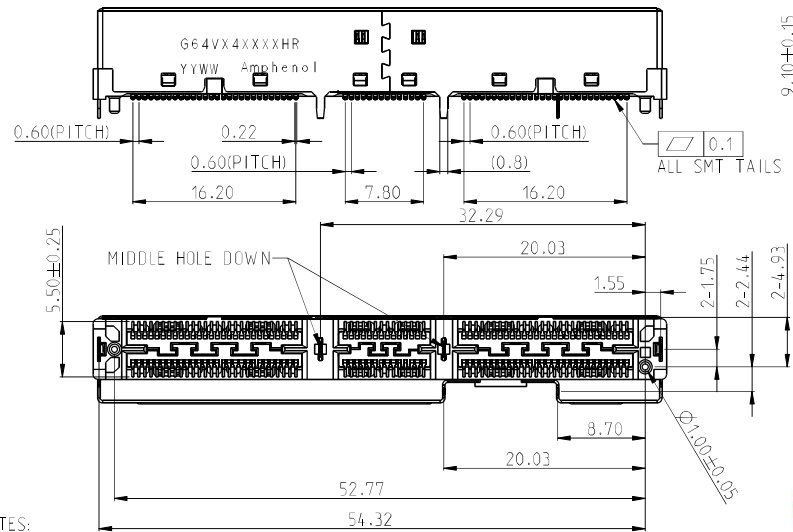
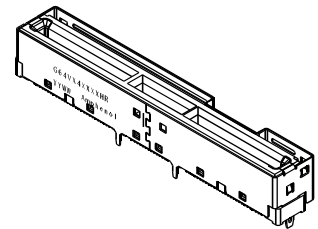
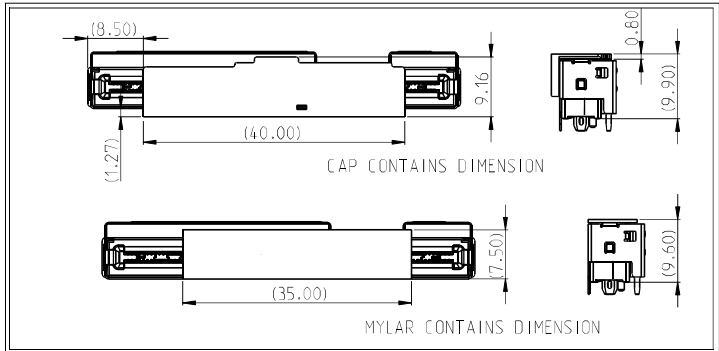
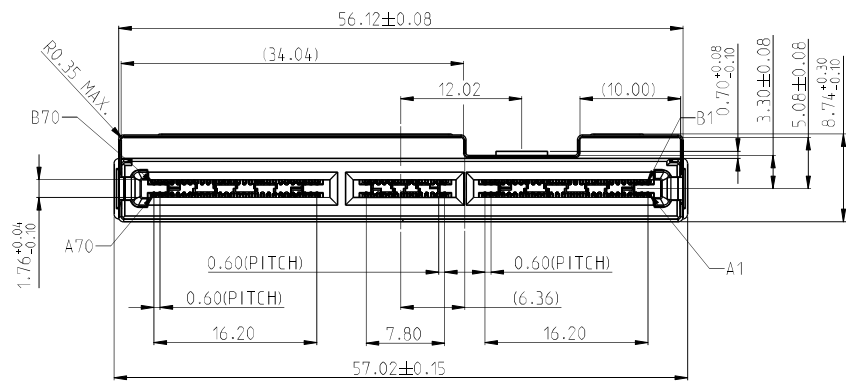


This document is the property of Amphenol Corporation and is delivered on the express condition that is not to be disclosed, reproduced or used, in whole or in part, for manufacture or sale by anyone other than Amphenol Corporation without its prior consent, and that no right is granted to disclose or to use any information in this document.

The marking on this product doesn't contain environmental hazardous materials per directive 2011/65/EU & 2015/863 for RoHS compliant and per IEC 61249-2-21 for Halogen-Free compliant.

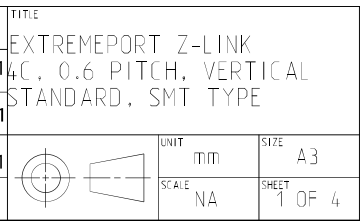
REVISIONS				
SYM	ECN No.	DESCRIPTION	DATE	BY
AX15	NA	UPDATED PART NUMBER	10/27/2020	JOAN LU
AX16	NA	UPDATED PULL OUT DIRECTION OF PACKAGE	12/9/2020	JOAN LU
AX17	NA	UPDATED CAP DIMENSION	12/29/2020	JOAN LU
AX18	NA	ADDED PLASTIC COLOR IN NOTE	03/10/2021	JOAN LU



- EXTREMEPORT Z-LINK
- VERTICAL TYPE
- CONNECTOR SPEED
3 : 56 G
- KEYWAY TYPE
4 : 4C
- CONTACT FINISH
1: GOLD FLASH
2: 15u" GOLD
3: 30u" GOLD
- COMPLIANT CODE
HR: HALOGEN-FREE & RoHS
- VARIATION CODE
BLANK: STANDARD
A: W/O MIDDLE HOLE DOWN
- PACKING CODE
REFER TO TABLE IN PAGE 3
- SHELL PIN LENGTH OPTION(DIM.A)
1: 1.85mm
2: 2.50mm
3: 3.30mm
4: 4.50mm
5: 1.20mm

NOTES:
 1. MATERIALS:
 PLASTICS : HIGH TEMPERATURE THERMOPLASTIC UL94-0, COLOR: BLACK
 SHELL : STAINLESS
 CONTACT: COPPER ALLOY
 BOARD LOCK: BRASS ALLOY
 2: FINISH
 TERMINAL : CONTACT AREA : SELECTED GOLD PLATING
 SOLDER AREA : MATTE TIN PLATING 100u".
 UNDER PLATING: NICKEL PLATING 50u"MIN OVER ALL
 SHELL : UNDER PLATING: ELECTROLESS NICKEL PLATING 50u"MIN OVER ALL
 BOARD LOCK: UNDER PLATING:NICKEL PLATING 50u"MIN OVER ALL
 SOLDER AREA : MATTE TIN PLATING 100u".
 3.THIS PRODUCT DOESN'T CONTAIN ENVIRONMENTAL HAZARDOUS MATERIALS PER DERCTIVE 2011/65/EC FOR RoHS AND PER IEC 61249-2-21 FOR HALOGEN FREE.
 4.PRODUCT SPEC REFER TO PS-7716.

TOLERANCE	APPROVALS	DATE	TITLE
X. X.X ±0.30 X.XX ±0.20 X.XXX ±0.10	DESIGNED Joan Lu	03/10/2021	EXTREMEPORT Z-LINK 4C, 0.6 PITCH, VERTICAL STANDARD, SMT TYPE
	CHECKED Sondra Sang	03/10/2021	
	APPROVED Hank Hsu	03/10/2021	
ANGULAR ±2°	DWG TYPE CUST DWG	PROJECT CODE TXXX	
UNLESS OTHERWISE SPECIFIED			



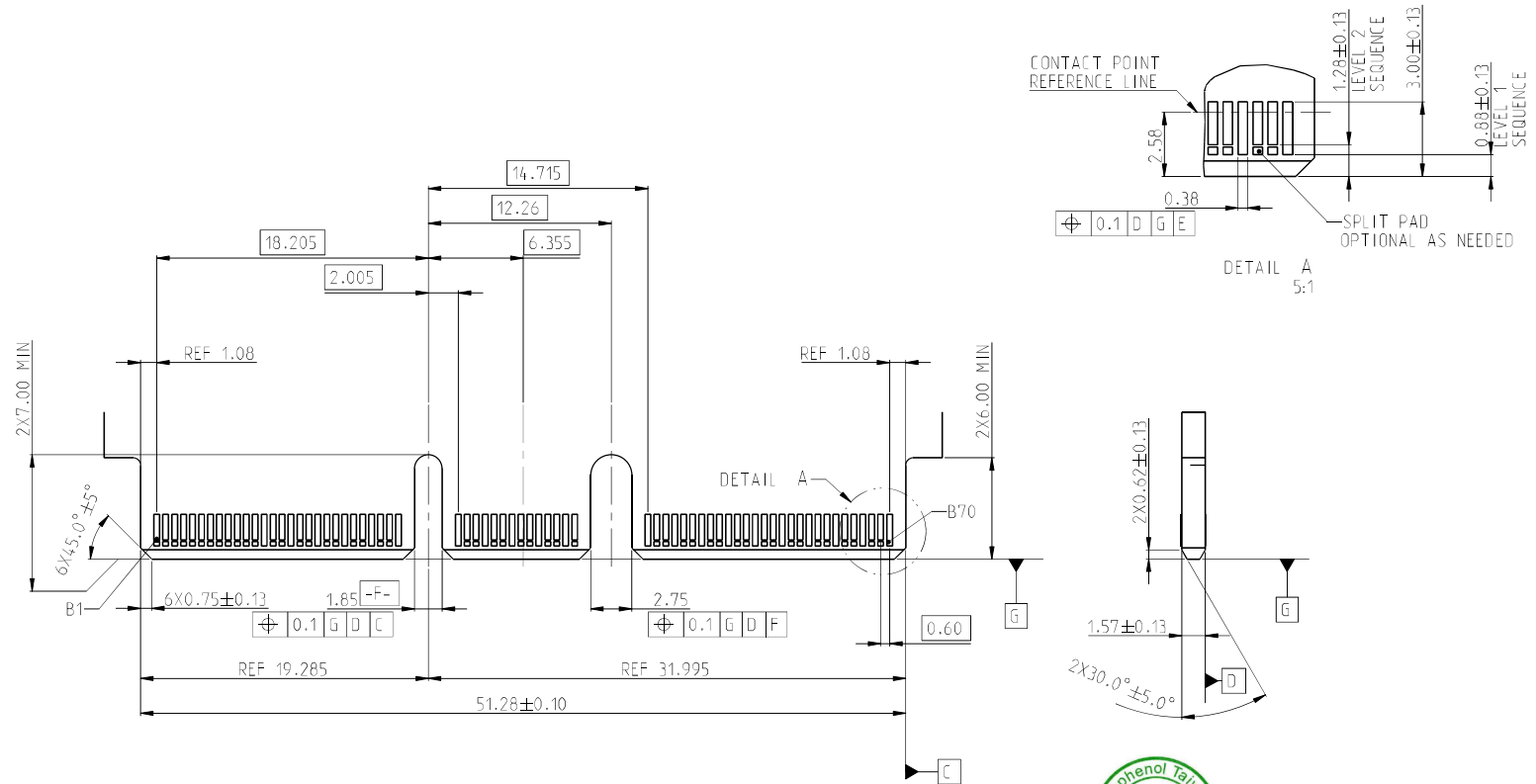
		Amphenol Corporation Amphenol Taiwan Corporation	
		PART No. G64VX4XXXXHR	REV. AX18
SCALE NA	UNIT mm	SHEET 1 OF 4	DWG No. G64VX4XXXXHR

This document is the property of Amphenol Corporation and is delivered on the express condition that it is not to be disclosed, reproduced or used, in whole or in part, for manufacture or sale by anyone other than Amphenol Corporation without its prior consent, and that no right is granted to disclose or to use any information in this document.

The marking on this product doesn't contain environmental hazardous materials per directive 2011/65/EU & 2015/863 for RoHS compliant and per IEC 61249-2-21 for Halogen-Free compliant.

REVISIONS				
SYM	ECN No.	DESCRIPTION	DATE	BY
AX15	NA	UPDATED PART NUMBER	10/27/2020	JOAN LU
AX16	NA	UPDATED PULL OUT DIRECTION OF PACKAGE	12/9/2020	JOAN LU
AX17	NA	UPDATED CAP DIMENSION	12/29/2020	JOAN LU
AX18	NA	ADDED PLASTIC COLOR IN NOTE	03/10/2021	JOAN LU

RECOMMENDED AIC MATING CARD DIMENSIONS



NOTE : POSITION A1 ON OPPOSITE SIDE OF CARD OF B1

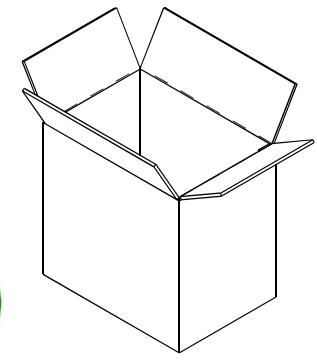
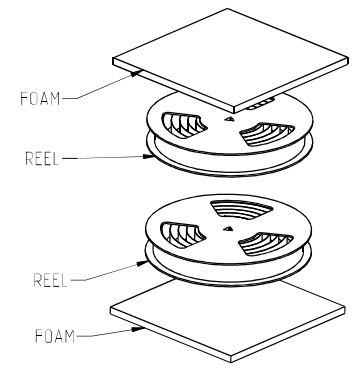
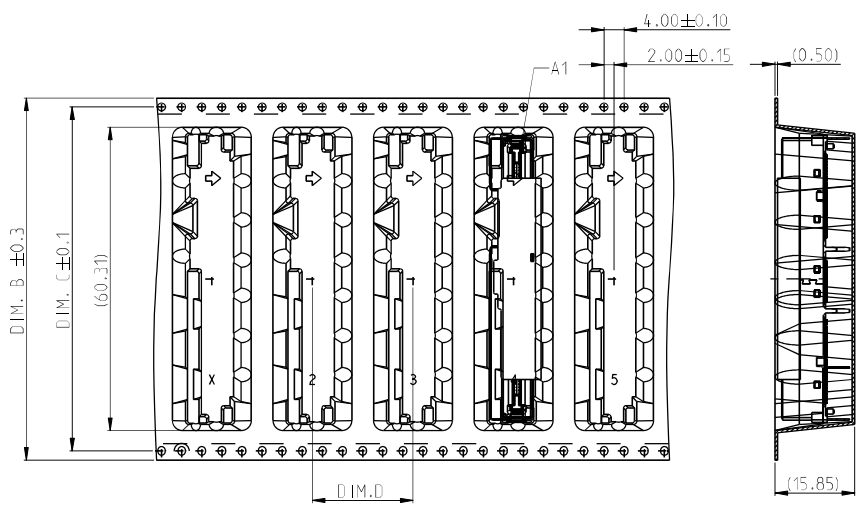


TOLERANCE	DRAWN	APPROVALS	DATE	TITLE	Amphenol® Amphenol Corporation Amphenol Taiwan Corporation			
X. ±0.30	DESIGNED	Joan Lu	03/10/2021	EXTREMEPORT Z-LINK 0.6 PITCH, VERTICAL STANDARD, SMT TYPE	PART No. G64VX4XXXXHR	UNIT mm	SIZE A3	SHEET 3 OF 4
X.XX ±0.20	CHECKED	Sondra Sang	03/10/2021					
X.XXX ±0.10	APPROVED	Hank Hsu	03/10/2021					
ANGULAR ±2°	DWG TYPE	CUST DWG	PROJECT CODE TXXX	SCALE NA	DWG No. G64VX4XXXXHR	REV. AX18		
UNLESS OTHERWISE SPECIFIED								

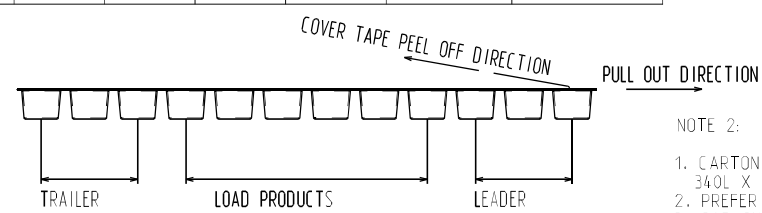
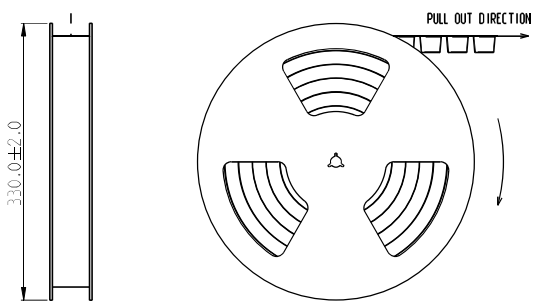
This document is the property of Amphenol Corporation and is delivered on the express condition that is not to be disclosed, reproduced or used, in whole or in part, for manufacture or sale by anyone other than Amphenol Corporation without its prior consent, and that no right is granted to disclose or to use any information in this document.

The marking on this product doesn't contain environmental hazardous materials per directive 2011/65/EU & 2015/863 for RoHS compliant and per IEC 61249-2-21 for Halogen-Free compliant.

REVISIONS				
SYM	ECN No.	DESCRIPTION	DATE	BY
AX15	NA	UPDATED PART NUMBER	10/27/2020	JOAN LU
AX16	NA	UPDATED PULL OUT DIRECTION OF PACKAGE	12/9/2020	JOAN LU
AX17	NA	UPDATED CAP DIMENSION	12/29/2020	JOAN LU
AX18	NA	ADDED PLASTIC COLOR IN NOTE	03/10/2021	JOAN LU



PART NUMBER	PACKING CODE	PACKING TYPE	DIM. B	DIM. C	DIM. D	REEL (Q'TY)	CARTON (PCS)	PICK AND PLACE
G64VX4XX2XHR	2	TAPE AND REEL	88	84.4	24	2	310	WITH CAP
G64VX4XXBXHR	B	TAPE AND REEL	88	84.4	24	2	310	NONE
G64VX4XX3XHR	3	TAPE AND REEL	72	68.4	24	3	465	WITH CAP
G64VX4XX5XHR	5	TAPE AND REEL	72	68.4	20	3	570	WITH CAP
G64VX4XXMXHR	M	TAPE AND REEL	72	68.4	20	3	570	WITH MYLAR



NOTE 2:
 1. CARTON SIZE
 340L X 340W X 240H
 2. PREFER TO AMTA LABELING STANDARD.
 3. CARTON CLOSURES MUST BE SEALS WITH TAPE.

NOTE 1:
 1. MATERIAL:
 CARRIER TAPE: POLYSTYRENE, BLACK
 COVER TAPE: TRANSPARENT POLYSTYRENE
 REEL: POLYSTYRENE, BLACK
 2. ALL TAPE AND REEL SPECIFICATION FOLLOW EIA-481 STANDARD.
 3. THIS PRODUCT DOESN'T CONTAIN ENVIRONMENTAL HAZROUDS PER DIRECTIVE 2002/95/EC FOR ROHS.

TOLERANCE	DRAWN APPROVALS	DATE	TITLE	Amphenol®	
X. X.X ±0.30 X.XX ±0.20 X.XXX ±0.10	DESIGNED Joan Lu	03/10/2021	EXTREMEPORT Z-LINK 4C, 0.6 PITCH, VERTICAL STANDARD, SMT TYPE	Amphenol Corporation Amphenol Taiwan Corporation	
	CHECKED Sondra Sang	03/10/2021			
ANGULAR ±2°	APPROVED Hank Hsu	03/10/2021		UNIT	SIZE
UNLESS OTHERWISE SPECIFIED	DWG TYPE CUST DWG	PROJECT CODE TXXX		MM	A3
			SCALE	SHEET	PART No.
			NA	4 OF 4	G64VX4XXXXHR
					DWG No. G64VX4XXXXHR
					REV. AX18

Mouser Electronics

Authorized Distributor

Click to View Pricing, Inventory, Delivery & Lifecycle Information:

[Amphenol:](#)

[G64V34312HR](#) [G64V32313HR](#) [G64V3431BHR](#) [G64V34315HR](#)